



# Panasonic

## Operating Instructions

---

Integrated Telephone System

Model No. **KX-TS560MX**

**KX-TS580MX**



Model shown is KX-TS580MX

This unit is compatible with Caller ID. You must subscribe to the appropriate service offered by your service provider/telephone company.

Please read these operating instructions before using the unit and save them for future reference.

# Table of Contents

---

## **Introduction**

Accessory information .....	3
For your safety.....	4
Important safety instructions .....	4
For best performance .....	5

## **Preparation**

Controls .....	6
Display.....	7
Battery installation and replacement.....	8
Connections .....	9
Connecting a communication device .....	10
Symbols used in these operating instructions .....	11
Setting up the unit before use .....	12
Date and time .....	12
Dialing mode .....	12
Storing your area code.....	12

## **Programming**

Programmable settings .....	13
Special instructions for programmable settings.....	14
Call restriction .....	14
Changing the unit password.....	14

## **Making/Answering Calls**

Making calls.....	15
Answering calls .....	16
Useful features during a call.....	17
Hold (Available for: KX-TS580MX) .....	17
Handset mute (KX-TS560MX)/ Mute (KX-TS580MX).....	17
Flash .....	17
For call waiting or Call Waiting Caller ID service users .....	17
Temporary tone dialing (for rotary/ pulse service users) .....	17
Dial lock.....	18

## **Phonebook**

Phonebook .....	19
Chain dial .....	20

## **Caller ID Service**

Using Caller ID service.....	21
Caller list.....	22

## **Voice Mail Service**

Voice mail service.....	23
-------------------------	----

## **Useful Information**

Wall mounting.....	24
Troubleshooting .....	25
Specifications .....	26

## **Index**

Index.....	27
------------	----

**Thank you for purchasing a new Panasonic integrated telephone.**

## For your future reference

We recommend keeping a record of the following information to assist with any repair under warranty.

Serial No. \_\_\_\_\_

Date of purchase \_\_\_\_\_

(found on the bottom of the unit)

Name and address of dealer \_\_\_\_\_

Attach your purchase receipt here.

---

---

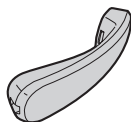
## Accessory information

---

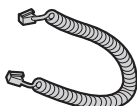
### Supplied accessories

No.	Accessory item	Quantity
①	Handset	1
②	Handset cord	1
③	Telephone line cord	1

①



②



③



---

---

## For your safety

To prevent severe injury and loss of life/property, read this section carefully before using the product to ensure proper and safe operation of your product.

---

## WARNING

---

### Installation

- To prevent the risk of fire or electrical shock, do not expose the product to rain or any type of moisture.

---

### Operating safeguards

- Do not disassemble the product.
- Do not spill liquids (detergents, cleansers, etc.) onto the telephone line cord plug, or allow it to become wet at all. This may cause a fire. If the telephone line cord plug becomes wet, immediately pull it from the telephone wall jack, and do not use.

---

## CAUTION

---

### Installation and relocation

- Never install telephone wiring during an electrical storm.
- Never install telephone line jacks in wet locations unless the jack is specifically designed for wet locations.
- Never touch uninsulated telephone wires or terminals unless the telephone line has been disconnected at the network interface.
- Use caution when installing or modifying telephone lines.
- This product is unable to make calls when:
  - the dial lock feature is turned on.
  - the call restriction feature is turned on (only phone numbers stored in the unit as emergency numbers can be called.)

---

### Battery

- We recommend using the batteries noted on page 8.
- Do not mix old and new batteries.

---

---

## Important safety instructions

When using your product, basic safety precautions should always be followed to reduce the risk of fire, electric shock and injury to persons, including the following:

1. Do not use this product near water, for example, near a bathtub, washbowl, kitchen sink or laundry tub, in a wet basement or near a swimming pool.
2. Avoid using a telephone (other than a cordless type) during an electrical storm. There may be a remote risk of electric shock from lightning.
3. Do not use the telephone to report a gas leak in the vicinity of the leak.
4. Use only the batteries indicated in this manual. Do not dispose of batteries in a fire. They may explode. Check with local codes for possible special disposal instructions.

## SAVE THESE INSTRUCTIONS

---

---

## For best performance

---

### Environment

- The product should be kept free from excessive smoke, dust, high temperature, and vibration.
  - The product should not be exposed to direct sunlight.
  - Do not place heavy objects on top of the product.
  - The product should be kept away from heat sources such as radiators, cookers, etc. It should not be placed in rooms where the temperature is less than 5°C or greater than 40°C. Damp basements should also be avoided.
- 

### Routine care

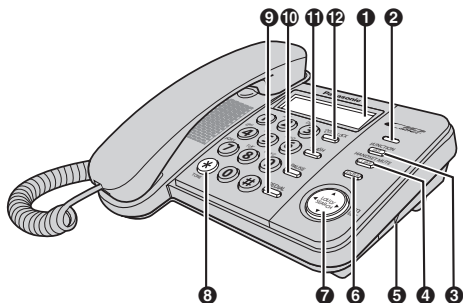
- **Wipe the outer surface of the product with a soft moist cloth.**
  - Do not use benzine, thinner, or any abrasive powder.
- 

### Notice for product disposal, transfer, or return

- This product can store your private/confidential information. To protect your privacy/confidentiality, we recommend that you erase the information such as phonebook or caller list entries from the memory before you dispose of, transfer, or return the product.

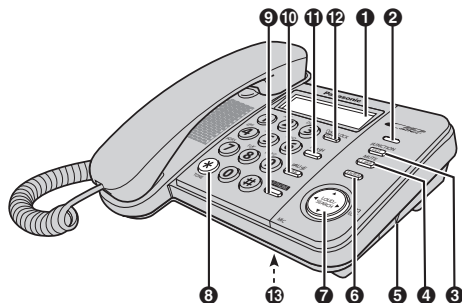
## Controls

### KX-TS560MX



- ❶ Display (page 7)
- ❷ Ringer indicator (page 16)
- ❸ **[FUNCTION]** (page 12, 13, 19)  
**[EXIT]** (page 12, 13, 15, 19, 22)
- ❹ **[HANDSET MUTE]** (page 17)  
**[CLEAR]** (page 12, 14, 15, 19, 22)
- ❺ RINGER selector (page 16)
- ❻ **[ENTER]** (page 12, 13, 18, 19, 22)
- ❼ Navigator key (**[▲]**, **[▼]**, **[◀]**, **[▶]**)  
**[LOUD/SEARCH]** **[EDIT]**  
(page 7, 20, 22)
- ❽ **[\*] [TONE]** (page 17)
- ❾ **[REDIAL]** (page 15)
- ❿ **[PAUSE]** (page 7, 16)
- ⓫ **[FLASH]** (page 7, 17)
- ⓬ **[DIAL LOCK]** (page 18)

### KX-TS580MX



- ❶ Display (page 7)
- ❷ Ringer indicator (page 16)
- ❸ **[FUNCTION]** (page 12, 13, 19)  
**[EXIT]** (page 12, 13, 15, 19, 22)
- ❹ **[MUTE]** (page 17)  
**[CLEAR]** (page 12, 14, 15, 19, 22)
- ❺ RINGER selector (page 16)
- ❻ **[ENTER]** (page 12, 13, 18, 19, 22)
- ❼ Navigator key (**[▲]**, **[▼]**, **[◀]**, **[▶]**)  
**[LOUD/SEARCH]** **[EDIT]**  
(page 7, 20, 22)
- ❽ **[\*] [TONE]** (page 17)
- ❾ **[SP-PHONE]** (Speakerphone)  
(page 15, 23)
- ❿ **[PAUSE]** (page 7, 16)  
**[REDIAL]** (page 15)
- ⓫ **[FLASH]** (page 7, 17)
- ⓬ **[DIAL LOCK]** (page 18)  
**[HOLD]** (page 17)
- ⓭ **MIC** (Microphone)

### Using the navigator key

The navigator key can be used to navigate through menus and to select items shown on the display by pressing [▲], [▼], [◀] or [▶].

**To adjust the volume**, press [▲] to increase volume, or press [▼] to decrease volume repeatedly while talking.



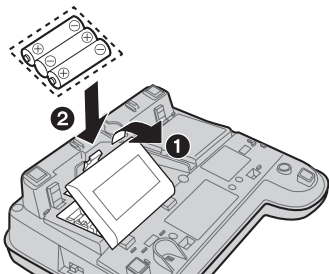
## Display

### Display items

Item	Meaning
	The dial lock mode is set (page 18).
	You have checked this caller information, answered the call or called back the caller from the caller list (page 22).
	The second call has been received while talking (page 17).
	The phone line is in SP-PHONE (speakerphone) call mode (page 15). (KX-TS580MX)
	The display flashes when the battery power is low. To replace the batteries, see page 8.
<b>P</b>	<b>[PAUSE]</b> was pressed while dialing or storing phone numbers.
<b>F</b>	<b>[FLASH]</b> was pressed while storing phone numbers.

# Battery installation and replacement

## Installing the batteries



- 1 Press down in the direction of the arrow and open the cover (1).
- 2 Install the batteries in the proper order as shown (2), matching the correct polarity.
- 3 Close the battery cover.
  - After battery installation, the unit will reset and "SET CLOCK" will always display until the time is set.
  - To set the clock, see page 12.

- Batteries are not included with the unit.
- Install three high quality "AA" size Alkaline (LR6) or Manganese (R6, UM-3) batteries. We recommend to use Panasonic batteries.  
Battery life is: – about six months when using Alkaline batteries.  
– about three months when using Manganese batteries.
- Battery life may depend on usage conditions and ambient temperature.
- Make sure batteries were inserted properly inphase to ensure the functionality of this unit.

**THE UNIT MAY NOT WORK PROPERLY WITHOUT BATTERIES.**

## Replacing the batteries

If "☐" flashes, the battery power is low. Install new batteries as soon as possible. If batteries are not replaced even after the "☐" is displayed, the unit may not work properly.

- Store the desired items in the phonebook, because after the battery replacement, the information stored in the redial list will be cleared.
- 1 Disconnect the telephone line cord from the unit.
  - 2 Press down in the direction of the arrow and open the cover.
  - 3 Replace the batteries with new ones using correct polarity (+, –), and close the cover.
  - 4 Connect the telephone line cord to the unit.

### Battery precautions:

The batteries should be used correctly, otherwise the unit may be damaged by battery leakage.

- do not mix different types of batteries.
- do not charge, short-circuit, disassemble, heat or dispose of in fire.
- remove all the batteries when replacing.

### Note:

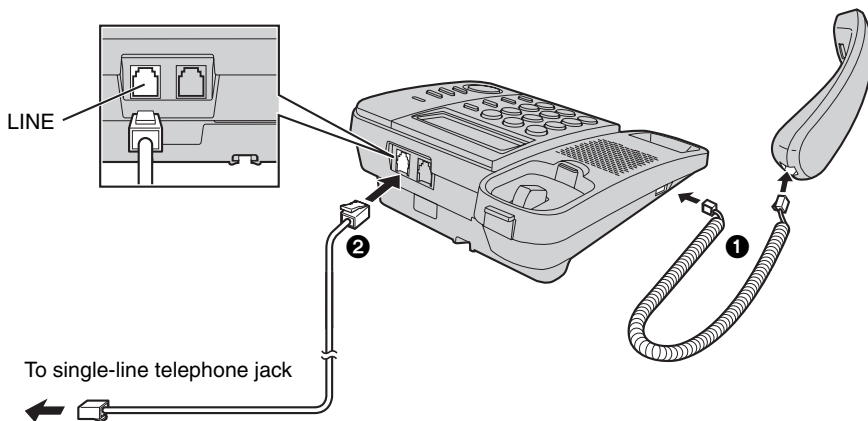
- if you do not install the batteries or if the battery power is low, the display will become blank. Readjust the time after the battery replacement.
- replace all the batteries every six months if using Alkaline batteries, or misoperation may occur. (When you use Manganese batteries, replace all of them every three months.)
- do not use nickel-cadmium batteries.



## Connections

Connect the handset cord (❶) to the handset and the unit. Connect the telephone line cord until it clicks into the unit and telephone line jack (❷).

After line connection, lift the handset to check for a dial tone.

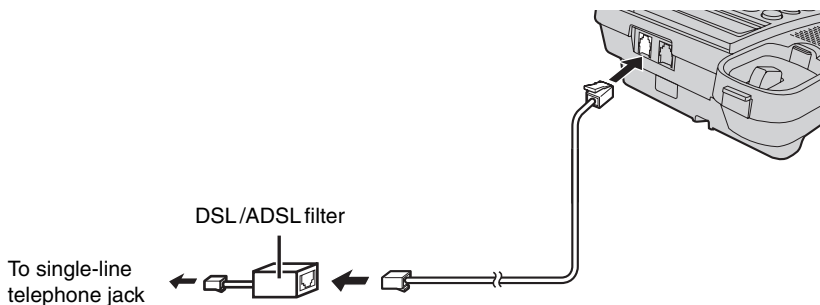


- Use only a Panasonic handset for KX-TS560MX and KX-TS580MX.
- Use only the supplied telephone line cord. Using another telephone line cord may not allow the unit to work properly.

### If you subscribe to a DSL/ADSL service

Please attach a DSL/ADSL filter (contact your DSL/ADSL provider) to the telephone line between the unit and the telephone line jack in the event of the following:

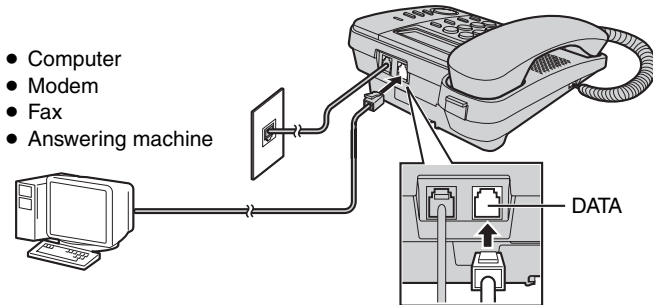
- noise is heard during conversations.
- Caller ID features (page 21) do not function properly.



### Connecting a communication device

If you connect a communication device (computer, modem, fax, answering machine etc.) to the telephone line, you can connect it through this unit using the DATA jack.

After connecting the handset and telephone line cord, connect the communication device telephone line cord to the DATA jack.



- Make sure the communication device is not in use before using this unit (making calls, storing phone numbers in memory etc.) or the communication device may not operate properly.



---

---

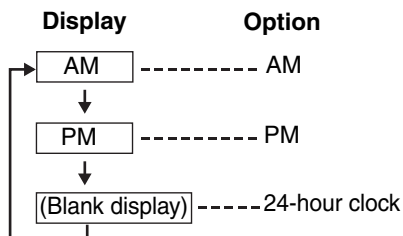
## Symbols used in these operating instructions

Symbol	Meaning
[ ]	The words in the brackets indicate button names on the unit.
→	Proceed to the next operation.
“ ”	The words in quotations indicate the menu on the display. <b>Example:</b> “SAVE PHONEBOOK ?”
【▼】 / 【▲】: “ ”	Press 【▼】 or 【▲】 to select the words in quotations. <b>Example:</b> 【▼】 / 【▲】: “OFF”

## Setting up the unit before use

### Date and time

- 1** [FUNCTION] → [▼] / [▲]: "SET CLOCK ?" → [ENTER]
- 2** Enter the current year by selecting 2 digits.  
**Example:** 2008  
[0] [8]
  - You can set the year 2000 to 2099.
- 3** [ENTER]
- 4** Enter the current hour and minute by selecting 2 digits for each.
- 5** [ENTER]
  - If numbers between 0000 and 0059, or 1300 and 2359 are entered, the time will automatically set using the 24-hour clock. Skip steps 6 and 7, and go to step 8.
- 6** Press [⇄] to select "AM", "PM" or 24-hour clock.



- Each time you press [⇄], the selection will change on the display.
- Example:** 9:30PM
- [0] [9] [3] [0] → Press [⇄] until "9:30PM" is displayed.
- 7** [ENTER]
  - 8** Enter the current date and month by selecting 2 digits for each.  
**Example:** 15 July  
[1] [5] [0] [7]
  - 9** [ENTER] → [EXIT]
    - If the date and time entered are wrong, "ERROR" will be displayed and you cannot continue with the setting. Enter the correct date and time.

### For Caller ID service users (page 21)

If a time display service is available with the Caller ID service:

- The Caller ID information will re-set the clock after the ring if:
  - the adjusted time and/or date is incorrect.
  - the time adjustment set to ON.

### Dialing mode

If you cannot make calls, change this setting according to your telephone line service.

The default setting is "TONE".

"TONE": For tone dial service.

"PULSE": For rotary/pulse dial service.

- 1** [FUNCTION] → [▼] / [▲]: "SET DIAL MODE ?" → [ENTER]
- 2** [▼] / [▲]: Select the desired setting → [ENTER] → [EXIT]

### Storing your area code

We recommend storing your area code before using Caller ID (page 21). Calls from the same area will be recorded in the caller list without the area code. You do not have to remove it before calling back the caller.

- To store the caller's information in the phonebook, you may need to remove the area code because same area code would be appeared automatically while storing.

- 1** [FUNCTION] → [▼] / [▲]: "SET AREA CODE ?" → [ENTER]
- 2** Enter your area code (8 digits max.).  
**Example:** 092  
[0] [9] [2]
  - To correct a digit, press [CLEAR]. Enter the correct number.
- 3** [ENTER] → [EXIT]

### To erase your area code

- 1** [FUNCTION] → [▼] / [▲]: "SET AREA CODE ?" → [ENTER]
- 2** [CLEAR] → [ENTER] → [EXIT]

## Programmable settings

You can customize the unit by programming the following features.

**Make sure that the handset is on the cradle and “” (KX-TS580MX) is not displayed.**

### Programming by scrolling through the display menus

#### 1 [FUNCTION]

2 [▼] / [▲]: Select the desired item in main menu → [ENTER]

3 [▼] / [▲]: Select the desired setting → [ENTER]

- This step may vary depending on the feature being programmed.
- To exit the operation, press [EXIT] or wait for 60 seconds.

#### Note:

- In the following table, < > indicates the default settings.
- The current item or setting is highlighted on the display.

Main menu	Setting	Page
SAVE PHONEBOOK ?	—	19
SET CLOCK ?	—	12
CHANGE PASSWORD?	<1111>	14
CALL RESTRICT ?	—	14
SET FLASH TIME ? <sup>*1</sup>	900MS/700MS/600MS/400MS/ 300MS/250MS/200MS/160MS/ 110MS/100MS/90MS/80MS <600MS>	—
SET DIAL MODE ?	TONE/PULSE <TONE>	12
LCD CONTRAST ? <sup>*2</sup>	□□□□/□□□/□□/□ <□□>	—
TIME ADJUSTMENT? <sup>*3</sup>	ON/OFF <OFF>	—
SET HOLD MUSIC ? <sup>*4</sup>	ON/OFF <ON>	—
SET AREA CODE ?	—	12

\*1 The flash time depends on your telephone exchange or host PBX. Contact your PBX supplier if necessary.

\*2 “□” shows one level. To make the display clearer, set to high level.

\*3 If the Caller ID time and date display service is available in your area, this feature allows the unit to automatically adjust the date and time setting when caller information is received. To use this feature, set the date and time first.

\*4 You can set music play during the hold (KX-TS580MX).

---

---

### Special instructions for programmable settings

---

#### Call restriction

You can restrict the unit from dialing phone numbers beginning with specified digit(s) (1 digit or 2 digits). Phone numbers with the restricted leading digits cannot be dialed out, except the emergency numbers (#) stored in the phonebook.

- When call restriction is turned on, you cannot store, edit, or erase the emergency numbers begin with # in the phonebook.

---

#### Setting the call restriction

##### 1 [FUNCTION]

2 [▼] / [▲]: "CALL RESTRICT ?" → [ENTER]

- If you have not changed the unit password (default: 1111), go to step 4.

3 Enter the unit password → [ENTER]

4 Enter the number(s) (1 digit or 2 digits) you want to restrict ([0] to [9]) → [ENTER] → [EXIT]

---

#### Erasing the restricted number

##### 1 [FUNCTION]

2 [▼] / [▲]: "CALL RESTRICT ?" → [ENTER]

- If you have not changed the unit password (default: 1111), go to step 4.

3 Enter the unit password → [ENTER]

4 Press and hold [CLEAR] → [ENTER] → [EXIT]

---

### Changing the unit password

#### Important:

- If you change the password, please make note of your new password. The unit will not reveal the password to you. If you forget your password, consult your nearest Panasonic service center.

##### 1 [FUNCTION]

2 [▼] / [▲]: "CHANGE PASSWORD?" → [ENTER]

3 Enter the current 4-digit password (default: "1111") → [ENTER]

- If you have entered the wrong password, "ERROR" and "----" will be displayed. Enter the correct password.

4 Enter the new 4-digit password → [ENTER] → [EXIT]

## Making calls

- 1 Lift the handset and dial the phone number.
- 2 When you finish talking, place the handset on the cradle.

### Using the speakerphone (Available for: KX-TS580MX)

- 1 **[SP-PHONE]** → Dial a phone number.  
OR  
Dial a phone number → **[SP-PHONE]**.
  - Speak alternately with the other party.
  - If you have misdialed, press **[SP-PHONE]** and start again from step 1.
- 2 When you finish talking, press **[SP-PHONE]**.

#### Note:

- For best performance, use the speakerphone in a quiet environment.  
If necessary, adjust the speaker volume.
- You can switch to the handset by lifting it up.  
To switch back to the speakerphone, press **[SP-PHONE]** and place the handset on the cradle.

### Adjusting the handset or the speaker volume

Press **[▲]** or **[▼]** repeatedly while talking.

- “□” shows one level.

### Making a call using the redial list

The last 20 phone numbers dialed are stored in the redial list.

#### 1 **[REDIAL]**

- 2 **[▼]** / **[▲]**: Select the desired phone number.

- You can also scroll through the list by pressing **[REDIAL]**.
- To exit the list, press **[EXIT]**.

#### 3 ■ **KX-TS560MX**

Lift the handset to start calling.

#### ■ **KX-TS580MX**

Lift the handset or press **[SP-PHONE]** to start calling.

### Automatic redial

(Available for: KX-TS580MX):

If you use the speakerphone when redial and the other party's line is engaged, the unit will automatically redial the number up to 15 times. While the unit is waiting to redial, “**WAITING REDIAL**” will be displayed.

While the unit is redialing, mute is automatically turn on.

- Automatic redial is canceled when **[FLASH]** is pressed.
- If mute does not turn off after the line is connected, press **[MUTE]**.

### Erasing a number in the redial list

#### 1 **[REDIAL]**

- 2 **[▼]** / **[▲]**: Select the desired phone number.

#### 3 **[CLEAR]**

- If “**NO ITEMS STORED**” is displayed, the list is empty.

#### 4 **[EXIT]**

## Making/Answering Calls

### Pause (for PBX/long distance service users)

A pause is sometimes required when making calls using a PBX or long distance service. When storing a calling card access number and/or PIN in the phonebook, a pause is also needed (page 20).

Example: If you need to dial the line access number "9" when making outside calls with a PBX:

**1 [9] → [PAUSE]**

**2** Dial the phone number.

**3 ■ KX-TS560MX**

Lift the handset to start calling.

**■ KX-TS580MX**

Lift the handset or press **[SP-PHONE]** to start calling.

#### Note:

- A 3.5 second pause is inserted each time **[PAUSE]** is pressed. Repeat as needed to create longer pauses.

## Answering calls

When a call is being received, the unit rings, the ringer indicator flashes quickly and "INCOMING CALL" is displayed. You can answer a call by simply lifting the handset.

### Using the speakerphone (Available for: KX-TS580MX)

**1 [SP-PHONE]**

**2** When you finish talking, press **[SP-PHONE]**.

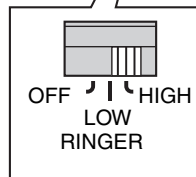
#### Note:

- The ringer indicator will flash when
  - a telephone number is dialed in PULSE mode, or

- someone picks up or hangs up another phone connected to the same phone line. This is normal.

### Adjusting the unit ringer volume

You can select the ringer volume to HIGH, LOW or OFF. The default setting is HIGH.





---

---

## Useful features during a call

---

### Hold (Available for: KX-TS580MX)

This feature allows you to put an outside call on hold.

- 1 Press **[HOLD]** during an outside call.
  - If using the handset, you can place it on the cradle.
  - During the hold, both party will hear music. For canceling music, see page 13.
- 2 To release hold, lift the handset if the handset is on the cradle.  
OR  
Press **[HOLD]** if the handset is off the cradle.  
OR  
Press **[SP-PHONE]** if using the speakerphone.

#### Note:

- If another phone is connected to the same line, you can also take the call by lifting its handset.

---

### Handset mute (KX-TS560MX)/ Mute (KX-TS580MX)

While mute is turned on, you can hear the other party, but the other party cannot hear you.

- 1 During an outside call,
  - Press **[HANDSET MUTE]** (KX-TS560MX)
  - Press **[MUTE]** (KX-TS580MX)
- 2 To return to the conversation,
  - Press **[HANDSET MUTE]** (KX-TS560MX)
  - Press **[MUTE]** (KX-TS580MX)

---

### Flash

**[FLASH]** allows you to use the special features of your host PBX such as transferring an extension call, or accessing optional telephone services.

#### Note:

- To change the flash time, see page 13.

---

### For call waiting or Call Waiting Caller ID service users

To use call waiting, you must first subscribe to the call waiting service of your service provider/telephone company. This feature allows you to receive calls while you are already talking on the phone. If you receive a call while on the phone, you will hear a call waiting tone. **If you subscribe to both Caller ID and Call Waiting with Caller ID services**, the 2nd caller's information and "**CALL WAIT**" are displayed after you hear the call waiting tone.

- 1 Press **[FLASH]** to answer the 2nd call.
- 2 To switch between calls, press **[FLASH]**.

#### Note:

- Please contact your service provider/telephone company for details and availability of this service in your area.

---

### Temporary tone dialing (for rotary/pulse service users)

You can temporarily switch the dialing mode to tone when you need to access touch-tone services (for example, answering services, telephone banking services, etc.). Press **[\*] [TONE]** before entering access numbers which require tone dialing.

---

---

## Dial lock

This feature prohibits making outside calls.  
The default setting is OFF.


### Important:

- When dial lock or call restriction (page 14) is turned on, only phone number stored in the phonebook as emergency numbers (numbers stored with a # at the beginning of the name) can be dialed using the phonebook (page 19). We recommend storing emergency numbers in the phonebook before using this feature.
- When dial lock is turned on, you cannot store, edit, or erase the emergency numbers begin with # in the phonebook.

---


### To turn the dial lock on/off

#### 1 [DIAL LOCK]

- “” flashes on the display.

#### 2 Enter the unit password (default “1111”) → [ENTER]

### Note:

- If dial lock is turned on, the unit displays “”.
- “DIAL LOCKED” will be displayed if the dial buttons are pressed before/after:
  - lifting the handset.
  - pressing [SP-PHONE] (KX-TS580MX).

## Phonebook

The phonebook allows you to make calls without having to dial manually. You can add 50 names and phone numbers.

### Adding entries

#### 1 [FUNCTION]

#### 2 "SAVE PHONEBOOK ?" → [ENTER]

- The display will show the number of stored items.

#### 3 Enter the party's name (15 characters max.) → [ENTER]

#### 4 Enter the party's phone number (32 digits max.) → [ENTER]

- To add other entries, repeat from step 2.
- If the display shows "PHONEBOOK FULL" in step 2, press [EXIT] to exit the list. To erase other stored items from the phonebook, see page 20.

#### 5 [EXIT]

#### To store emergency numbers

Emergency numbers are numbers stored in the phonebook that can be dialed using the phonebook even when dial lock (page 18) or call restriction (page 14) is turned on.

To store a number as an emergency number, add # at the beginning of the name in step 3.

### Character table for entering names

Key	Character
[1]	& ' ( ) , - . / 1
[2]	A B C 2
[3]	D E F 3
[4]	G H I 4
[5]	J K L 5
[6]	M N O 6
[7]	P Q R S 7
[8]	T U V 8
[9]	W X Y Z 9
[0]	0 Space
[*]	*
[#]	#

- To enter another character that is located on the same dial key, press [▶] to move the cursor to the next space.

### Correcting a mistake

Press [◀] or [▶] to move the cursor to the character or number you want to erase, then press [CLEAR]. Enter the appropriate character or number.

- Press and hold [CLEAR] to erase all characters or numbers.

---

## Finding and calling a phonebook entry

---

### Scrolling through all entries

- 1 Press [**◀**] or [**▶**] to enter the phonebook list.
- 2 [**▼**] / [**▲**]: Select the desired entry.
  - Item with # at the beginning will be displayed with first priority if dial lock (page 18) or call restriction (page 14) is turned on.
- 3 ■ **KX-TS560MX**  
Lift the handset to start calling.
  - **KX-TS580MX**  
Lift the handset or press [**SP-PHONE**] to start calling.

---

### Searching by first character (alphabetically)

- 1 Press [**◀**] or [**▶**] to enter the phonebook list.
- 2 Press the dial key ([**0**]–[**9**], [**\***] or [**#**]) which contains the character you are searching for (page 19).
  - Press the same dial key repeatedly to display the first entry corresponding to each character located on that dial key.
  - If there is no entry corresponding to the character you selected, the next entry is displayed.
- 3 [**▼**] / [**▲**]: Scroll through the phonebook if necessary.
- 4 ■ **KX-TS560MX**  
Lift the handset to start calling.
  - **KX-TS580MX**  
Lift the handset or press [**SP-PHONE**] to start calling.

---

## Editing entries

- 1 Press [**◀**] or [**▶**] to enter the phonebook list.
- 2 [**▼**] / [**▲**]: Select the desired entry → [**ENTER**]
- 3 Edit the name if necessary (15 characters max. : page 19) → [**ENTER**]
- 4 Edit the phone number if necessary (32 digits max) → [**ENTER**] → [**EXIT**]

---

## Erasing entries

- 1 Press [**◀**] or [**▶**] to enter the phonebook list.
- 2 [**▼**] / [**▲**]: Select the desired entry → [**CLEAR**] → [**ENTER**] → [**EXIT**]

---

---

## Chain dial

This feature allows you to dial phone numbers in the phonebook while you are on a call. This feature can be used, for example, to dial a calling card access number or bank account PIN that you have stored in the phonebook, without having to dial manually.

- 1 During an outside call, press [**◀**] or [**▶**].
- 2 [**▼**] / [**▲**]: Select the desired entry → [**ENTER**]

### Note:

- When storing a calling card access number and your PIN in the phonebook as one phonebook entry, press [**PAUSE**] to add pauses after the number and PIN as necessary (page 16).
- If you have rotary/pulse service, you need to press [**\***] before pressing [**◀**] or [**▶**] in step 1 to change the dialing mode temporarily to tone.

---

---

## Using Caller ID service

### Important:

- This unit is Caller ID compatible. To use Caller ID features, you must subscribe to Caller ID service. Contact your service provider/ telephone company for details.

---

## Caller ID features

When an outside call is being received, the phone number is displayed. Caller information for the last 50 callers is logged in the caller list from the most recent call to the oldest. When the 51st call is received, the oldest call is deleted.

- If the unit cannot receive caller information, the following is displayed:
  - “**OUT OF AREA**”: The caller dialed from an area which does not provide Caller ID service.
  - “**PRIVATE CALLER**”: The caller requested not to send caller information.
  - “**LONG DISTANCE**”: The caller made a long distance call.
- If the unit is connected to a PBX system, caller information may not be received properly. Contact your PBX supplier.
- If the batteries installed in the unit have expired, Caller ID services will not be available.

---

## Missed calls

If a call is not answered, the unit treats the call as a missed call. The display shows the number of missed calls, while the unit is not in use. This lets you know if you should view the caller list to see who called while you were away.

If you have entered the caller list before and there is no new missed call coming in after that, number of missed calls will not be displayed in standby mode.

- If there are unviewed missed calls, number of missed calls will be displayed when you enter the caller list.

---

## Phonebook name display

When caller information is received and it matches a phone number stored in the phonebook, the stored name in the phonebook is displayed and logged in the caller list.

---

---

## Caller list

### Important:

- Make sure the unit's date and time setting is correct (page 12).

---

### Viewing the caller list and calling back

- 1 Press [▼] or [▲] to enter the caller list.
- 2 Press [▼] to search from the most recent call, or [▲] to search from the oldest call.
- 3 To call back,
  - **KX-TS560MX**  
Lift the handset.
  - **KX-TS580MX**  
Lift the handset or press [SP-PHONE].
- 4 To exit, press [EXIT].

### Note:

- If the item has already been viewed or answered, "✓" is displayed.
- If "NO ITEMS STORED" is displayed in step 1, the caller list is empty.

---

### Editing a caller's phone number before calling back

- 1 Press [▼] or [▲] to enter the caller list.
- 2 [▼] / [▲]: Select the desired entry → [ENTER] or [▶].
- 3 Add or erase digits to the beginning of the number as necessary.
  - To add a digit, press the desired dial key.
  - To erase a digit, press [CLEAR] or [#].
- 4 To call back,
  - **KX-TS560MX**  
Lift the handset.
  - **KX-TS580MX**  
Lift the handset or press [SP-PHONE].

### Note:

- The edited phone number is not saved in the caller list.

---

### Erasing selected caller information

- 1 Press [▼] or [▲] to enter the caller list.
- 2 [▼] / [▲]: Select the desired entry.
- 3 [CLEAR] → [EXIT]

---

### Erasing all caller information

- 1 [CLEAR] → [ENTER]

---

### Storing caller information into the phonebook

- 1 Press [▼] or [▲] to enter the caller list.
- 2 [▼] / [▲]: Select the desired entry → [ENTER] or [▶].
  - Edit the number if necessary.
- 3 [ENTER]
  - If there is name information for the caller, go to step 5.
- 4 Enter the name (15 character max. : page 19).
- 5 [ENTER] → [EXIT]

---

---

## Voice mail service

Voice mail is an automatic answering service offered by your service provider/ telephone company. After you subscribe to this service, your service provider/ telephone company's voice mail system answers calls for you when you are unavailable to answer the phone or when your line is busy. Messages are recorded by your service provider/telephone company, not your telephone. Please contact your service provider/telephone company for details of this service.

---

### Listening to voice mail message(s)

The unit lets you know that you have new voice mail messages in the following way:  
– “VOICE MAIL” is displayed.

#### 1 ■ KX-TS560MX

Lift the handset and dial an access phone number.

#### ■ KX-TS580MX

Lift the handset or press **[SP-PHONE]** and dial an access phone number.

- You will get an access phone number from your telephone company.

#### 2 Follow the pre-recorded instructions.

#### 3 When finished, place the handset on the cradle.

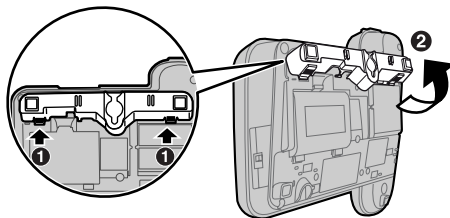
OR

Press **[SP-PHONE]** if using the speakerphone (KX-TS580MX).

- “VOICE MAIL” will disappear from the display.
- If “VOICE MAIL” still display after you have listened to your voice mail messages, press **[FUNCTION]**, and then press and hold **[CLEAR]** and “VOICE MAIL” will disappear.

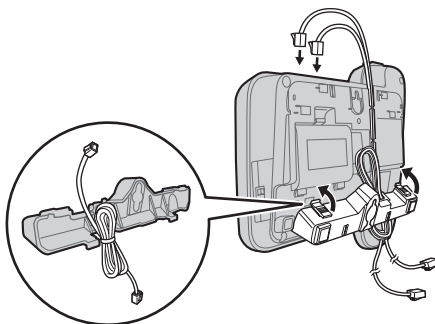
## Wall mounting

- 1** Press the tabs in the direction of the arrows (❶), then remove the wall mounting adaptor (❷).

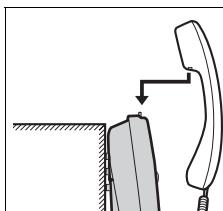
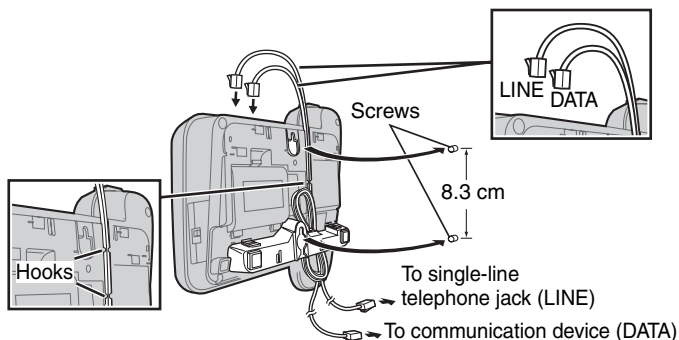


- 2** Tuck the telephone line cord inside the wall mounting adaptor, and push it in the direction of the arrow.

- “UP WALL” should be facing upward.

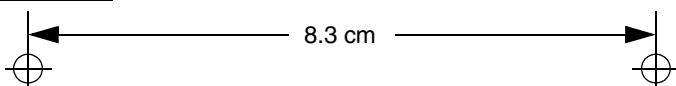


- 3** Drive screws (not included) into the wall using the wall template below. Connect the telephone line cord. Mount the unit, and then slide it down.




To temporarily set the handset down during a conversation, place it as shown in this picture.

### Wall Template






## Troubleshooting

Problem	Cause/solution	
The unit does not work.	<ul style="list-style-type: none"> <li>● Check the connections (page 9).</li> <li>● Remove the batteries and reinstall them to reset the unit.</li> </ul>	
The unit does not ring.	<ul style="list-style-type: none"> <li>● The RINGER selector is set to OFF. Set to HIGH or LOW (page 16).</li> </ul>	
The display is blank.	<ul style="list-style-type: none"> <li>● Install new batteries (page 8).</li> </ul>	
You cannot dial.	<ul style="list-style-type: none"> <li>● Check the dial tone. If there is no dial tone, check the connections (page 9).</li> <li>● The dialing mode may be set incorrectly. Change the settings (page 12).</li> <li>● Dial lock is turned on. To turn it off, see page 18.</li> <li>● The dialed number is restricted. To cancel, see page 14.</li> </ul>	
The other party suddenly cannot hear your voice during a conversation.	<ul style="list-style-type: none"> <li>● <b>[HANDSET MUTE]</b> (KX-TS560MX) or <b>[MUTE]</b> (KX-TS580MX) may have been pressed during the conversation. To cancel, press <b>[HANDSET MUTE]</b> or <b>[MUTE]</b> again (page 17).</li> </ul>	
You cannot program items such as the dialing mode.	<ul style="list-style-type: none"> <li>● Programming is not possible when: <ul style="list-style-type: none"> <li>– the handset is off the cradle.</li> <li>– viewing caller information.</li> <li>– “Caller information is not displayed.</li></ul></li></ul>	<ul style="list-style-type: none"> <li>● You need to subscribe to a Caller ID service. Consult your service provider/telephone company for details.</li> <li>● Install or replace the batteries.</li> <li>● If your unit is connected to any additional telephone equipment such as a Caller ID box or cordless telephone line jack, plug the unit directly into the wall jack.</li> <li>● If you use a DSL/ADSL service, we recommend connecting a DSL/ADSL filter between the unit and the telephone line jack. Contact your DSL/ADSL provider for details.</li> <li>● Other telephone equipment may be interfering with your phone. Disconnect it and try again.</li> </ul>
Number of missed calls does not display during standby mode.	<ul style="list-style-type: none"> <li>● You have entered the caller list before and there is no new missed call coming in after that. If there are unviewed missed calls, number of missed calls will be displayed when you enter the caller list.</li> </ul>	
You cannot store a name and phone number in memory.	<ul style="list-style-type: none"> <li>● Programming is not possible when the handset is off the cradle.</li> <li>● Check that the batteries are installed in the unit and that the battery power is not low.</li> <li>● Do not pause for over 60 seconds while storing.</li> <li>● Do not enter a phone number more than 32 digits long.</li> <li>● When using the dial lock (page 18) or call restriction feature (page 14), you cannot store emergency numbers (#).</li> <li>● If “<b>PHONEBOOK FULL</b>” is displayed, erase other stored items from the phonebook memory (page 20).</li> </ul>	

## Useful Information

---

Problem	Cause/solution
While programming or searching, the unit starts to ring and stops the program/search.	<ul style="list-style-type: none"><li>• A call is being received. Answer the call and start again after hanging up.</li></ul>
The display exits the caller list.	<ul style="list-style-type: none"><li>• Do not pause for over 60 seconds while searching.</li></ul>
You cannot redial by pressing <b>[REDIAL]</b> .	<ul style="list-style-type: none"><li>• If the last number dialed was more than 32 digits long, the number will not be redialed correctly.</li></ul>
Information stored in the redial list is erased.	<ul style="list-style-type: none"><li>• If “” flashes, replace the batteries as soon as possible. Otherwise, information stored in the redial list will be erased. Store the desired item in the phonebook memory before the battery replacement.</li></ul>

---

## Liquid damage

Problem	Cause/solution
Liquid or other form of moisture has entered the unit.	<ul style="list-style-type: none"><li>• Disconnect the telephone line cord from the unit. Remove the batteries from the unit and leave to dry for at least 3 days. After the unit is completely dry, reconnect the telephone line cord. Insert the batteries.</li></ul>

### Caution:

- To avoid permanent damage, do not use a microwave oven to speed up the drying process.

---

---

## Specifications

<b>Power source:</b>	From telephone line From 3 AA (LR6, R6, UM-3) batteries
<b>Dimensions (H x W x D):</b>	Approx. 95 mm × 190 mm × 196 mm
<b>Mass (Weight):</b>	Approx. 588 g (KX-TS560MX) Approx. 618 g (KX-TS580MX)
<b>Operating conditions:</b>	5 °C–40 °C, 20 %–80 % relative air humidity (dry)

### Note:

- Design and specifications are subject to change without notice.
- The illustrations in these instructions may vary slightly from the actual product.

---

---

**Index**

- A** Accessories: 3
  - Answering calls: 16
  - Area code: 12
  - Automatic redial: 15
- B** Battery: 8
- C** Caller ID service: 21
  - Caller list: 22
  - Caller list edit: 22
  - Call restriction: 14
  - Call waiting: 17
  - Call Waiting Caller ID: 17
  - Chain dial: 20
  - Connections: 9
  - Controls: 6
- D** Date and time: 12
  - Dial lock: 18
  - Dialing mode: 12
  - Display: 7
- F** Flash: 17
- H** Handset mute: 17
  - Hold: 17
- M** Making calls: 15
  - Menu: 13
  - Missed calls: 21
  - Mute: 17
- N** Navigator key: 7
- P** Password: 14
  - Pause: 16
  - Phonebook: 19
- R** Redial: 15
  - Ringer volume: 16
  - Rotary/pulse service: 17
- S** SP-PHONE (Speakerphone): 15
- T** Temporary tone dialing: 17
  - Time adjustment: 13
  - Troubleshooting: 25
- V** Voice mail: 23
- W** Wall mounting: 24

**Panasonic Communications Co., Ltd.**

1-62, 4-chome, Minoshima, Hakata-ku, Fukuoka 812-8531, Japan

**Copyright:**

This material is copyrighted by Panasonic Communications (Malaysia) Sdn. Bhd., and may be reproduced for internal use only. All other reproduction, in whole or in part, is prohibited without the written consent of Panasonic Communications (Malaysia) Sdn. Bhd.

© 2008 Panasonic Communications (Malaysia) Sdn. Bhd. All Rights Reserved.



\*TS560MX\*



PNQX1080ZA FM0908ND0