

Panasonic

Hybrid IP-PBX

Installation Manual

Model No. **KX-TDA600**



Thank you for purchasing a Panasonic Hybrid IP-PBX.
Please read this manual carefully before using this product and save this manual for future use.

KX-TDA600: PLMPR Software File Version 5.0000 or later



SD Logo is
a trademark.

System Components

System Components Table

Category	Model No.	Description
Basic Shelf	KX-TDA600	Basic Shelf
Main Processing Card		Main Processing Card (EMPR)
EMPR Optional Card	KX-TDA6105 KX-TDA0196	Memory Expansion Card (EMEC) Remote Card (RMT)
Optional Shelf Expansion Cards	KX-TDA6110 KX-TDA6111	Bus Master Card (BUS-M) Bus Master Expansion Card (BUS-ME)
Expansion Shelf	KX-TDA620	Expansion Shelf
Built-in Shelf Expansion Card		Bus Slave Card (BUS-S)
Mounting Kit	KX-TDA6201	Mounting Kit for expanding to a 3- or 4- shelf System
Trunk Cards	KX-TDA0182 KX-TDA0184 KX-TDA0187 KX-TDA0188 KX-TDA0189 KX-TDA0193 KX-TDA0284 KX-TDA0288 KX-TDA0290CE/CJ KX-TDA0290 KX-TDA0484 KX-TDA0490 KX-TDA6181	8-Port DID Card (DID8) 8-Port E & M Trunk Card (E&M8) T-1 Trunk Card (T1) E-1 Trunk Card (E1) 8-Port Caller ID/Pay Tone Card (CID/PAY8) 8-Port Caller ID Card (CID8) 4-Port BRI Card (BRI4) 8-Port BRI Card (BRI8) PRI Card (PRI30) PRI Card (PRI23) 4-Channel VoIP Gateway Card (IP-GW4E) 16-Channel VoIP Gateway Card (IP-GW16) 16-Port Analogue Trunk Card (ELCOT16)

System Components Table

Category	Model No.	Description
Extension Cards	KX-TDA0143	4 Cell Station Interface Card (CSIF4)
	KX-TDA0144	8 Cell Station Interface Card (CSIF8)
	KX-TDA0170	8-Port Digital Hybrid Extension Card (DHLC8)
	KX-TDA0171	8-Port Digital Extension Card (DLC8)
	KX-TDA0172	16-Port Digital Extension Card (DLC16)
	KX-TDA0173	8-Port Single Line Telephone Extension Card (SLC8)
	KX-TDA0177	16-Port Single Line Telephone Extension Card with Caller ID (CSLC16)
	KX-TDA0470	16-Channel VoIP Extension Card (IP-EXT16)
	KX-TDA6174	16-Port Single Line Telephone Extension Card (ESLC16)
	KX-TDA6175	16-Port Single Line Telephone Extension with Message Lamp Card (EMSLC16)
	KX-TDA6178	24-Port Single Line Telephone Extension Card with Caller ID (ECSLC24)
Other Cards	KX-TDA0161	4-Port Doorphone Card (DPH4)
	KX-TDA0162	2-Port Doorphone Card (German Type) (DPH2)
	KX-TDA0164	4-Port External Input/Output Card (EIO4)
	KX-TDA0168	Extension Caller ID Card (EXT-CID)
	KX-TDA0190	Optional 3-Slot Base Card (OPB3)
	KX-TDA0191	4-Channel Message Card (MSG4)
	KX-TDA0192	2-Channel Simplified Voice Message Card (ESVM2)
	KX-TDA0194	4-Channel Simplified Voice Message Card (ESVM4)
	KX-TDA0410	CTI Link Card (CTI-LINK)
KX-TDA6166	16-Channel Echo Canceller Card (EECHO16)	
Optional SD Memory Card	KX-TDA6920	SD Memory Card for Software Upgrade to Enhanced Version
Power Supply Units (PSUs)	KX-TDA0103	L-Type Power Supply Unit (PSU-L)
	KX-TDA0104	M-Type Power Supply Unit (PSU-M)

System Components Table

Category		Model No.	Description
Cell Stations (CSs)	Basic CSs	KX-TDA0141CE	2-Channel Cell Station Unit Using a DHLC/DLC Card (PT-interface CS) for DECT Portable Station
		KX-TDA0141	2-Channel Cell Station Unit Using a DHLC/DLC Card (PT-interface CS) for 2.4 GHz Portable Station
		KX-TDA0142CE	4-Channel Cell Station Unit Using a CSIF Card for DECT Portable Station
		KX-TDA0142	3-Channel Cell Station Unit Using a CSIF Card for 2.4 GHz Portable Station
		KX-TDA0151	2-Channel Cell Station Unit Using a DHLC/DLC Card (PT-interface CS) for 2.4 GHz Portable Station
		KX-TDA0152	3-Channel Cell Station Unit Using a CSIF Card for 2.4 GHz Portable Station
		KX-TDA0155	DECT 6.0 2-Channel Cell Station Unit Using a DHLC/DLC Card (PT-interface CS) for DECT 6.0 Portable Station
	High-density CSs	KX-TDA0158CE	8-Channel High-density Cell Station Unit Using a DHLC/DLC Card (PT-interface CS) for DECT Portable Station
		KX-TDA0158	DECT 6.0 8-Channel Cell Station Unit Using a DHLC/DLC Card (PT-interface CS) for DECT 6.0 Portable Station
	Proprietary Equipment	KX-A228	S/M-type Back-up Battery Cable
KX-A229		L-type Back-up Battery Cable	
KX-A258		Blank Slot Cover	
KX-T30865		Doorphone	
KX-T7765			

Unsupported Optional Equipment

Most optional equipment supported by the KX-TDA100/KX-TDA200 can also be used with the KX-TDA600. However, the items listed below are not supported by the KX-TDA600.

Category	Model No.	Description
MPR Optional Card	KX-TDA0105	Memory Expansion Card (MEC)
Trunk Cards	KX-TDA0180	8-Port Analogue Trunk Card (LCOT8)
	KX-TDA0181	16-Port Analogue Trunk Card (LCOT16)
	KX-TDA0183	4-Port Analogue Trunk Card (LCOT4)
Extension Cards	KX-TDA0174	16-Port Single Line Telephone Extension Card (SLC16)
	KX-TDA0175	16-Port Single Line Telephone Extension with Message Lamp Card (MSLC16)
Other Card	KX-TDA0166	16-Channel Echo Canceller Card (ECHO16)
Optional SD Memory Cards	KX-TDA0820	SD Memory Card for Software Upgrade
	KX-TDA0920	SD Memory Card for Software Upgrade to Enhanced Version
PSU	KX-TDA0108	S-Type Power Supply Unit (PSU-S)

Compatible Panasonic Proprietary Telephones

The PBX supports the following telephones:

- Digital proprietary telephones (e.g., KX-T7600 series)
- Analogue proprietary telephones (e.g., KX-T7700 series)
- IP proprietary telephones (e.g., KX-NT136)
- Portable stations (e.g., KX-TCA256, KX-TCA355, KX-TD7690)
- DSS consoles (e.g., KX-T7640)
- Single line telephones (e.g., KX-T7710)

Incompatible Panasonic Proprietary Telephones

The PBX does not support the following telephones:

- KX-T30800 series proprietary telephones and DSS consoles
- KX-T61600 series proprietary telephones and DSS consoles
- KX-T123200 series proprietary telephones and DSS consoles
- KX-TD7500 DECT portable station

Notes

- For the equipment (e.g., Add-on Key Module, USB Module, Headset^{*1}) that can be connected to a particular telephone, refer to the telephone's manual.
- For other equipment that can be connected to the PBX, refer to "1.2.3 System Connection Diagram".

^{*1} The KX-T7090 headset can be connected to the KX-T7000, KX-T7200, KX-T7300, KX-T7400, and KX-T7500 (except for KX-T7560/KX-T7565) series telephones.

List of Abbreviations

- APT → Analogue proprietary telephone
- DPT → Digital proprietary telephone
- IP-PT → IP proprietary telephone
- PS → Portable station
- PT → Proprietary telephone
- SLT → Single line telephone

Notice

- Some optional service cards and features are not available for certain countries/areas. Consult your certified Panasonic dealer for detailed instructions.
- In this manual, the suffix of each model number (e.g., KX-TDA600**NE**) is omitted unless necessary.

Important Notice

- Under power failure conditions, the connected telephones may not operate. Please ensure that a separate telephone, not dependent on local power, is available for emergency use.
- Prior to connection of this product, please verify that the intended operating environment is supported.
Satisfactory performance cannot be guaranteed for the following:
 - interoperability and compatibility with all devices and systems connected to this product
 - proper operation and compatibility with services provided by telecommunications companies over connected networks

Important Information

SAVE THESE INSTRUCTIONS

SECURITY PRECAUTIONS

In order to use the PBX safely and correctly the Security Requirements below must be observed. Failure to do so may result in:

- Loss, leakage, falsification or theft of user information.
- Illegal use of the PBX by a third party.
- Interference or suspension of service caused by a third party.

What is User Information?

User Information is defined as:

1. Information stored on the SD Memory Card:
Phonebook data, user IDs, system settings data, passwords (User/Administrator/Installer), Personal Identification Numbers (PINs), etc.
2. Information sent from the PBX to a PC or other external device:
Phone call data (including telephone numbers of outside parties), call charge data, etc.

Security Requirements

1. The SD Memory Card contains software for all the processes of the PBX and all customer data. It can be easily removed and taken away from the PBX by a third party. Therefore, do not allow unauthorised access to prevent data leakage.
2. Always make backups of data stored on the SD Memory Card. For details, refer to "2.6.2 Utility—File Transfer PC to PBX (SD Card)" and "2.6.3 Utility—File Transfer PBX (SD Card) to PC" in the PC Programming Manual.
3. To prevent illegal access from the Internet, activate a Firewall.
4. To avoid unauthorised access and possible abuse of the PBX, we strongly recommend:
 - a. Keeping the password secret.
 - b. Selecting a complex, random password that cannot be easily guessed.
 - c. Changing your password regularly.
5. Perform the following when sending the PBX for repair or handing it over to a third party.
 - a. Make a backup of data stored on the SD Memory Card.
 - b. Using an SD formatter, format the SD Memory Card so that information cannot be retrieved from it.
6. To prevent data leakage, render the SD Memory Card physically unusable before disposal.
7. When user information is sent from the PBX to a PC or other external device, the confidentiality of that information becomes the responsibility of the customer. Before disposing of the PC or other external device, ensure that data cannot be retrieved from it by formatting the hard disk and/or rendering it physically unusable.

SAFETY REQUIREMENTS

When using your telephone equipment, basic safety precautions should always be followed to reduce the risk of fire, electric shock and injury to persons, including the following:

For All Telephone Equipment

WARNING

- **DO NOT INSTALL THE PRODUCT IN ANY OTHER WAY THAN DESCRIBED IN RELEVANT MANUALS.**
- **FOR SAFETY REASONS, DO NOT PHYSICALLY MODIFY THE PRODUCT OR ANY OPTIONAL EQUIPMENT.**
- **THE PRODUCT MAY ONLY BE INSTALLED AND SERVICED BY QUALIFIED SERVICE PERSONNEL.**
- **TO PREVENT POSSIBLE FIRE OR ELECTRIC SHOCK, DO NOT EXPOSE THE PRODUCT TO RAIN OR MOISTURE.**

1. Read and understand all instructions.
2. Follow all warnings and instructions marked on the product.
3. Unplug the product from the wall outlet before cleaning. Wipe the product with a soft cloth. Do not clean with abrasive powders or with chemical agents such as benzene or thinner. Do not use liquid cleaners or aerosol cleaners.
4. Do not use the product near water, for example, near a bathtub, wash bowl, kitchen sink, or laundry tub, in a wet basement, or near a swimming pool.
5. Do not place the product on an unstable surface, as a fall may cause serious internal damage.
6. The product should only be connected to the type of electrical power supply specified on the product label. If you are not sure of the type of power supply to your home, consult your dealer or local power company.
7. For safety purposes some products are equipped with an earthed plug. If you do not have an earthed outlet, please have one installed. Do not bypass this safety feature by tampering with the plug.
8. Do not allow anything to rest on the power cord. Do not locate the product where the power cord may be stepped on or tripped on.
9. To reduce the risk of fire or electric shock, do not overload wall outlets and extension cords.
10. To reduce the risk of electric shock, do not disassemble the product. Only qualified personnel should service the product. Opening or removing covers may expose you to dangerous voltages or other risks. Incorrect reassembly can cause electric shock.
11. Unplug the product from the wall outlet and have it serviced by qualified service personnel in the following cases:
 - a) When the power supply cord or plug is damaged or frayed.
 - b) If liquid has been spilled into the product.
 - c) If the product has been exposed to rain or water.
 - d) If the product does not operate according to the operating instructions. Adjust only the controls that are explained in the operating instructions. Improper adjustment of other controls may result in damage and may require service by a qualified technician to restore the product to normal operation.
 - e) If the product has been dropped or the cabinet has been damaged.
 - f) If product performance deteriorates.

-
12. Avoid using wired telephones during an electrical storm. There is a remote risk of electric shock from lightning.
 13. Do not use a telephone in the vicinity of a gas leak to report the leak.
 14. The product should be kept free of dust, moisture, high temperature (more than 40 °C) and vibration, and should not be exposed to direct sunlight.

For the PBX

WARNING

- **IF DAMAGE TO THE UNIT EXPOSES ANY INTERNAL PARTS, DISCONNECT THE POWER SUPPLY CORD IMMEDIATELY AND RETURN THE UNIT TO YOUR DEALER.**
 - **UNPLUG ALL INSTALLED SHELVES OF THE SYSTEM FROM THE AC OUTLET IF IT EMITS SMOKE, AN ABNORMAL SMELL OR MAKES UNUSUAL NOISE. THESE CONDITIONS CAN CAUSE FIRE OR ELECTRIC SHOCK. CONFIRM THAT SMOKE HAS STOPPED AND CONTACT AN AUTHORISED PANASONIC FACTORY SERVICE CENTRE.**
 - **WHEN RELOCATING THE EQUIPMENT, FIRST DISCONNECT THE TELECOM CONNECTION BEFORE DISCONNECTING THE POWER CONNECTION. WHEN THE UNIT IS INSTALLED IN THE NEW LOCATION, RECONNECT THE POWER FIRST, AND THEN RECONNECT THE TELECOM CONNECTION.**
 - **THE POWER SUPPLY CORD IS USED AS THE MAIN DISCONNECT DEVICE. ENSURE THAT THE AC OUTLET IS LOCATED NEAR THE EQUIPMENT AND IS EASILY ACCESSIBLE.**
 - **DANGER OF EXPLOSION EXISTS IF A BATTERY IS INCORRECTLY REPLACED. REPLACE ONLY WITH THE SAME OR EQUIVALENT TYPE RECOMMENDED BY THE BATTERY MANUFACTURER. DISPOSE OF USED BATTERIES ACCORDING TO THE MANUFACTURER'S INSTRUCTIONS.**
 - **THE SD MEMORY CARD POSES A CHOKING HAZARD. KEEP THE SD MEMORY CARD OUT OF REACH OF CHILDREN.**
 - **MAKE SURE THAT THE WALL THAT THE SHELF WILL BE ATTACHED TO IS STRONG ENOUGH TO SUPPORT THE SHELF. IF NOT, IT IS NECESSARY FOR THE WALL TO BE REINFORCED.**
 - **ONLY USE THE WALL-MOUNTING EQUIPMENT (ANCHOR PLUGS, SCREWS, METAL BRACKET) INCLUDED WITH THE PBX.**
 - **WHEN DRIVING THE SCREWS INTO THE WALL, BE CAREFUL TO AVOID TOUCHING ANY METAL LATHS, WIRE LATHS OR METAL PLATES IN THE WALL.**
 - **WHEN PLACING THE METAL BRACKET, MAKE SURE THAT THE "TOP" ARROW IS POINTING UPWARD.**
 - **WHEN THIS PRODUCT IS NO LONGER IN USE, MAKE SURE TO DETACH IT FROM THE WALL.**
1. Slots and openings in the front, back and bottom of the cabinet are provided for ventilation; to protect it from overheating, these openings must not be blocked or covered. The openings should never be blocked by placing the product on a bed, sofa, rug, or other similar surface while in use. The product should never be placed near or over a radiator or other heat source. This product should not be placed in a sealed environment unless proper ventilation is provided.

-
- 2.** Do not insert objects of any kind into this product through its slots and openings, as they may touch dangerous voltage points or short out parts that could result in a risk of fire or electric shock. Never spill liquid of any kind on or in the product.
 - 3.** Keep the unit away from heating appliances and devices that generate electrical noise such as fluorescent lamps, motors and televisions. These noise sources can interfere with the performance of the PBX.
 - 4.** If you are having problems making calls to outside destinations, follow this procedure to test the trunks:
 - a.** Disconnect the PBX from all trunks.
 - b.** Connect known working SLTs to those trunks.
 - c.** Make a call to an external destination using those SLTs.

If a call cannot be carried out correctly, there may be a problem with the trunk that the SLT is connected to. Contact your telephone company.

If all SLTs operate properly, there may be a problem with your PBX. Do not reconnect the PBX to the trunks until it has been serviced by an authorised Panasonic Factory Service Centre.

Precaution

For users in the European Union only

- **Information on Disposal for Users of Waste Electrical & Electronic Equipment (private households)**

This symbol on the products and/or accompanying documents means that used electrical and electronic products should not be mixed with general household waste. For proper treatment, recovery and recycling, please take these products to designated collection points, where they will be accepted on a free of charge basis. Alternatively, in some countries you may be able to return your products to your local retailer upon the purchase of an equivalent new product. Disposing of this product correctly will help to save valuable resources and prevent any potential negative effects on human health and the environment which could otherwise arise from inappropriate waste handling. Please contact your local authority for further details of your nearest designated collection point. Penalties may be applicable for incorrect disposal of this waste, in accordance with national legislation.

- **For business users in the European Union**

If you wish to discard electrical and electronic equipment, please contact your dealer or supplier for further information.

- **Information on Disposal in other Countries outside the European Union**

This symbol is only valid in the European Union. If you wish to discard this product, please contact your local authorities or dealer and ask for the correct method of disposal.



For users in Germany only

- Machine Noise Information Ordinance, 3rd GPSGV: The highest sound pressure level is 70 dB (A) or less according to EN ISO 7779.
- This equipment is not for use at video display work stations according to BildschirmV.

For users in Finland, Norway and Sweden only

- This unit may only be installed in a room or space with restricted access, and equipotential bonding must be applied. For information on earthing, refer to "2.2.10 Frame Earth Connection".

For users in New Zealand only

- This equipment shall not be set to make automatic calls to the Telecom '111' Emergency Service.
- The grant of a Telepermit for any item of terminal equipment indicates only that Telecom has accepted that the item complies with minimum conditions for connection to its network. It indicates no endorsement of the product by Telecom, nor does it provide any sort of warranty. Above all, it provides no assurance that any item will work correctly in all respects with another item of Telepermitted equipment of a different make or model, nor does it imply that any product is compatible with all of Telecom's network services.
- This equipment is not capable, under all operating conditions, of correct operation at the higher speeds for which it is designed. Telecom will accept no responsibility should difficulties arise in such circumstances.

-
- Some parameters required for compliance with Telecom's Telepermit requirements are dependent on the equipment (PBX) associated with this modem. In order to operate within the limits for compliance with Telecom's Specifications, the associated PBX equipment shall be set to ensure that modem calls are answered between 3 and 30 seconds of receipt of ringing.
 - Using the toll services of a company other than Telecom:
If the PBX is set up to use the toll services of a company other than Telecom, the telephone numbers dialled from the Caller Display listings within the PBX will be directed through the toll services of the other company because the telephone numbers include the toll access digit and area code digit. A toll charge may be incurred. Please check with the toll carrier concerned.
 - **APPLICABLE ONLY TO TELECOM CUSTOMERS WHO HAVE AUTOMATIC ACCESS TO OTHER CARRIERS FOR TOLL CALLS**
When calling back a number from the Caller ID list, all numbers prefixed with "0 + AREA CODE" will be automatically forwarded to your toll carrier. This includes numbers in your local calling area. The zero + area code should either be removed when calling back local numbers, or check with your toll carrier that a charge will not be levied.
 - All persons using this device for recording telephone conversations shall comply with New Zealand law. This requires that at least one party to the conversation is to be aware that it is being recorded. In addition, the principles enumerated in the Privacy Act 1993 shall be complied with in respect to the nature of the personal information collected, the purpose for its collection, how it is used, and what is disclosed to any other party.

For users in Australia only

- No External TRC Terminal is provided due to an Internal Link between PE and TRC.

For users in Taiwan only

- Lithium batteries can be found in the circuit boards of the main board and optional cards of the PBX.

Notes

- When disposing of any of the above products, all batteries must be removed. Follow the applicable laws, regulations, and guidelines in your country/area regarding disposal of batteries.
- When replacing a battery, use only the same battery type, or an equivalent recommended by the battery manufacturer.

Notice

Regarding removing or replacing a battery in the circuit board, consult your dealer.



廢電池請回收

Introduction

This Installation Manual is designed to serve as an overall technical reference for the Panasonic Hybrid IP-PBX, KX-TDA600. It provides instructions for installing the hardware, and programming the PBX using the Maintenance Console.

The Structure of this Manual

This manual contains the following sections:

Section 1 System Outline

Provides general information on the PBX, including the system capacity and specifications.

Section 2 Installation

Describes the procedures to install the PBX. Detailed instructions for planning the installation site, installing the shelves and optional service cards, and cabling of peripheral equipment are provided. Further information on system expansion and peripheral equipment installation is included.

Section 3 Guide for the Maintenance Console

Explains the installation procedure, structure, and basic information of the Maintenance Console.

Section 4 Troubleshooting

Provides information on the PBX and telephone troubleshooting.

About the Other Manuals

Along with this Installation Manual, the following manuals are available:

Feature Guide

Describes all basic, optional and programmable features of the PBX.

PC Programming Manual

Provides step-by-step instructions for performing system programming using a PC.

PT Programming Manual

Provides step-by-step instructions for performing system programming using a PT.

User Manual

Provides operating instructions for end users using a PT, SLT, PS, or DSS Console.

About the software version of your PBX

The contents of this manual apply to PBXs with a certain software version, as indicated on the cover of this manual. To confirm the software version of your PBX, see "How do I confirm the software version of the PBX or installed cards?" in the FAQ of the PC Programming Manual, or "[190] Main Processing (MPR) Software Version Reference" in the PT Programming Manual.

Trademarks

- Microsoft, Windows, and Windows Vista are either registered trademarks or trademarks of Microsoft Corporation in the United States and/or other countries.
- Intel and Celeron are trademarks or registered trademarks of Intel Corporation in the United States and other countries.
- All other trademarks identified herein are the property of their respective owners.
- Microsoft product screen shot(s) reprinted with permission from Microsoft Corporation.

Precautions for Users in the United Kingdom

FOR YOUR SAFETY, PLEASE READ THE FOLLOWING TEXT CAREFULLY.

This appliance is supplied with a moulded three-pin mains plug for your safety and convenience. A 5 amp fuse is fitted in this plug. Should the fuse need to be replaced, please ensure that the replacement fuse has a rating of 5 amps and that it is approved by ASTA or BSI to BS1362.

Check for the ASTA mark  or the BSI mark  on the body of the fuse.

If the plug contains a removable fuse cover, you must ensure that it is refitted when the fuse is replaced. If you lose the fuse cover, the plug must not be used until a replacement cover is obtained. A replacement fuse cover can be purchased from your local Panasonic dealer.

IF THE FITTED MOULDED PLUG IS UNSUITABLE FOR THE AC OUTLET IN YOUR PREMISES, THEN THE FUSE SHOULD BE REMOVED AND THE PLUG CUT OFF AND DISPOSED OF SAFELY. THERE IS A DANGER OF SEVERE ELECTRICAL SHOCK IF THE CUT-OFF PLUG IS INSERTED INTO ANY 13 AMP SOCKET.

If a new plug is to be fitted, please observe the wiring code as shown below. If in any doubt, please consult a qualified electrician.

WARNING

THIS APPLIANCE MUST BE EARTHED.

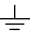
IMPORTANT: The wires in the mains lead are coloured as follows:

Green-and-yellow: Earth

Blue: Neutral

Brown: Live

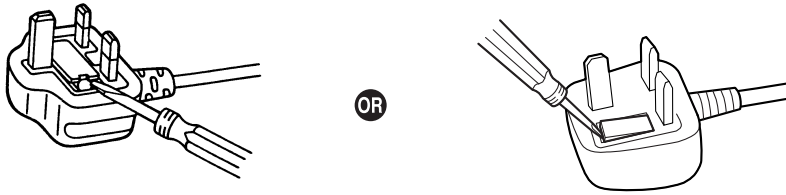
As the colours of the wires in the mains lead of this apparatus may not correspond with the coloured markings identifying the terminals in your plug, proceed as follows.

The wire that is coloured GREEN-AND-YELLOW must be connected to the terminal in the plug that is marked with the letter E or by the safety earth symbol  or coloured GREEN or GREEN-AND-YELLOW.

The wire that is coloured BLUE must be connected to the terminal that is marked with the letter N or coloured BLACK.

The wire that is coloured BROWN must be connected to the terminal that is marked with the letter L or coloured RED.

How to replace the fuse: Open the fuse compartment with a screwdriver and replace the fuse and fuse cover.



The equipment must be connected to direct extension lines, and a payphone should not be connected as an extension.

999 and 112 can be dialled on the apparatus after accessing the Exchange line for the purpose of making outgoing calls to the BT emergency services.

During dialling, this apparatus may tinkle the bells of other telephones using the same line. This is not a fault and we advise you not to call the Fault Repair Service.

Table of Contents

1	System Outline	19
1.1	System Highlights	20
1.1.1	System Highlights	20
1.2	System Construction	22
1.2.1	Basic System	22
1.2.2	Expanded System	23
1.2.3	System Connection Diagram	28
1.3	Optional Equipment	30
1.3.1	Optional Equipment	30
1.4	Specifications	33
1.4.1	General Description	33
1.4.2	Characteristics	35
1.4.3	System Capacity	36
2	Installation	43
2.1	Before Installation	44
2.1.1	Before Installation	44
2.2	Installation of the PBX	46
2.2.1	Unpacking	46
2.2.2	Names and Locations	48
2.2.3	Opening/Closing the Front Cover	49
2.2.4	Attaching Fan Guards	51
2.2.5	Installation of Basic System or 2-shelf System (Floor Standing)	52
2.2.6	Installation of 3- or 4-shelf System (Tower Type)	60
2.2.7	Installation of 4-shelf System (Side-by-side Type)	82
2.2.8	Wall Mounting (KX-TDA600/KX-TDA620)	98
2.2.9	Installing/Replacing the Power Supply Unit	101
2.2.10	Frame Earth Connection	105
2.2.11	Backup Battery Connection	106
2.2.12	Installing/Removing the Optional Service Cards	109
2.2.13	Cable Handling	113
2.2.14	Types of Connectors	115
2.2.15	Attaching a Ferrite Core	117
2.2.16	Fastening an Amphenol Connector	120
2.2.17	Surge Protector Installation	122
2.3	Information about the Main Processing Card	125
2.3.1	EMPR Card	125
2.3.2	EMEC Card (KX-TDA6105)	127
2.3.3	RMT Card (KX-TDA0196)	128
2.4	Information about the Optional Shelf Expansion Cards	129
2.4.1	BUS-M Card (KX-TDA6110)	129
2.4.2	BUS-ME Card (KX-TDA6111)	130
2.5	Information about the Built-in Shelf Expansion Card	131
2.5.1	BUS-S Card	131
2.6	Information about the Trunk Cards	132
2.6.1	ELCOT16 Card (KX-TDA6181)	132
2.6.2	DID8 Card (KX-TDA0182)	134

2.6.3	CID/PAY8 Card (KX-TDA0189).....	136
2.6.4	CID8 Card (KX-TDA0193)	137
2.6.5	E&M8 Card (KX-TDA0184)	138
2.6.6	T1 Card (KX-TDA0187)	141
2.6.7	E1 Card (KX-TDA0188).....	144
2.6.8	BRI4 Card (KX-TDA0284) and BRI8 Card (KX-TDA0288)	147
2.6.9	PRI30 Card (KX-TDA0290CE/CJ)	151
2.6.10	PRI23 Card (KX-TDA0290)	155
2.6.11	IP-GW4E Card (KX-TDA0484)	158
2.6.12	IP-GW16 Card (KX-TDA0490)	160
2.7	Information about the Extension Cards	162
2.7.1	CSIF4 Card (KX-TDA0143) and CSIF8 Card (KX-TDA0144).....	162
2.7.2	DHLC8 Card (KX-TDA0170)	164
2.7.3	DLC8 Card (KX-TDA0171)	167
2.7.4	DLC16 Card (KX-TDA0172)	169
2.7.5	SLC8 Card (KX-TDA0173)	171
2.7.6	EXT-CID Card (KX-TDA0168)	173
2.7.7	CSLC16 Card (KX-TDA0177), ESLC16 Card (KX-TDA6174), EMSLC16 Card (KX-TDA6175), and ECSLC24 Card (KX-TDA6178)	174
2.7.8	IP-EXT16 Card (KX-TDA0470).....	177
2.8	Information about the Other Cards	179
2.8.1	OPB3 Card (KX-TDA0190).....	179
2.8.2	DPH4 Card (KX-TDA0161).....	181
2.8.3	DPH2 Card (KX-TDA0162).....	183
2.8.4	EIO4 Card (KX-TDA0164)	186
2.8.5	MSG4 Card (KX-TDA0191)	189
2.8.6	ESVM2 Card (KX-TDA0192) and ESVM4 Card (KX-TDA0194).....	190
2.8.7	EECHO16 Card (KX-TDA6166)	191
2.8.8	CTI-LINK Card (KX-TDA0410)	192
2.9	Connection of Extensions	194
2.9.1	Maximum Cabling Distances of the Extension Wiring (Twisted Cable)	194
2.9.2	Parallel Connection of the Extensions	196
2.9.3	Digital EXtra Device Port (Digital XDP) Connection	198
2.9.4	First Party Call Control CTI Connection	203
2.10	Connection of DECT Portable Stations	204
2.10.1	Overview.....	204
2.10.2	Procedure Overview	206
2.10.3	Site Planning	208
2.10.4	Before Site Survey.....	212
2.10.5	Site Survey Using the KX-TCA255/KX-TCA256/KX-TCA355/KX-TD7590.....	217
2.10.6	After Site Survey.....	221
2.10.7	Connecting a Cell Station to the PBX.....	222
2.10.8	Wall Mounting.....	232
2.11	Connection of 2.4 GHz Portable Stations.....	236
2.11.1	Overview.....	236
2.11.2	Procedure Overview	237
2.11.3	Site Planning	239
2.11.4	Before Site Survey.....	243
2.11.5	Site Survey	246
2.11.6	After Site Survey.....	250

2.11.7	Connecting a Cell Station to the PBX	251
2.11.8	Wall Mounting	259
2.12	Connection of DECT 6.0 Portable Stations.....	264
2.12.1	Overview	264
2.12.2	Procedure Overview.....	266
2.12.3	Site Planning.....	268
2.12.4	Before Site Survey	272
2.12.5	Site Survey.....	277
2.12.6	After Site Survey	281
2.12.7	Connecting a Cell Station to the PBX	282
2.12.8	Wall Mounting	289
2.13	Connection of Doorphones, Door Openers, External Sensors, and External Relays.....	292
2.13.1	Connection of Doorphones, Door Openers, External Sensors, and External Relays.....	292
2.14	Connection of Peripherals	295
2.14.1	Connection of Peripherals.....	295
2.15	Power Failure Connections.....	299
2.15.1	Power Failure Connections	299
2.16	Starting the PBX.....	303
2.16.1	Starting the PBX	303
3	Guide for the Maintenance Console	307
3.1	Overview	308
3.1.1	Overview	308
3.2	PC Connection	309
3.2.1	PC Connection.....	309
3.3	Installation of the Maintenance Console	312
3.3.1	Installing and Starting the Maintenance Console.....	312
4	Troubleshooting.....	317
4.1	Troubleshooting	318
4.1.1	Installation.....	318
4.1.2	Connection.....	320
4.1.3	Operation	322
4.1.4	Using the Reset Button	324
4.1.5	Troubleshooting by Error Log.....	325
5	Appendix	327
5.1	Revision History.....	328
5.1.1	PLMPR Software File Version 3.1xxx	328
5.1.2	PLMPR Software File Version 5.0xxx	329
Index		331

Section 1

System Outline

This section provides general information on the PBX, including the system capacity and specifications.

1.1 System Highlights

1.1.1 System Highlights

Networking Features

This PBX supports the following networking features:

TIE Line Service

A TIE line is a privately leased communication line between 2 or more PBXs, which provides cost effective communications between company members at different locations.

Virtual Private Network (VPN)

VPN is a service provided by the telephone company. It uses an existing line as if it were a private line.

QSIG Network

QSIG is a protocol which is based on ISDN (Q.931) and offers enhanced PBX features in a private network.

Voice over Internet Protocol (VoIP) Network

The PBX can connect to another PBX via a private IP network. In this case, voice signals are converted into IP packets and sent through this network.

Built-in Small Call Centre Features

An incoming call distribution group can be used as a small call centre with the following features:

Queuing Feature

When a preprogrammed number of extensions in an incoming call distribution group are busy, additional incoming calls can wait in a queue. While calls are waiting in the queue, the calls are handled by the Queuing Time Table, which can be assigned for each time mode (day/lunch/break/night).

Log-in/Log-out

Incoming call distribution group members can join (**Log-in**) or leave (**Log-out**) the groups manually. While logged-in, a member extension can have a preprogrammed time period automatically for refusing calls after completing the last call (**Wrap-up**).

VIP Call

It is possible to assign a priority to incoming call distribution groups. If an extension belongs to multiple groups and the extension becomes idle, queuing calls in the groups will be distributed to the extension in priority order.

Computer Telephony Integration (CTI) Features

Connecting a PC to a DPT, or connecting a CTI server to this PBX allows function of the PC, PBX and extension to be integrated so that, for example, detailed caller information can be taken from a database and displayed on the PC as a call arrives, or the PC can dial numbers for the extension automatically.

Voice Mail Features

This PBX supports Voice Processing Systems (VPS) with DTMF Integration as well as DPT (Digital) Integration.

Paralleled Telephone Features

By connecting telephones in parallel, you can increase the number of telephones connected to the PBX without adding additional extension cards.

Parallel Mode

An SLT can be connected to an APT or DPT which is connected to a Super Hybrid Port of the PBX. The SLT shares the same extension number with the APT or DPT.

EXtra Device Port (XDP) Mode

An SLT can be connected to a DPT which is connected to a Super Hybrid Port of the PBX. Unlike parallel mode, XDP mode allows each telephone to act as an independent extension with its own extension number.

Digital XDP

A DPT can be connected to another DPT which is connected to a DPT port or a Super Hybrid Port of the PBX. Similar to XDP mode, each DPT acts as an independent extension with its own extension number.

Portable Station (PS) Features

PSs can be connected to this PBX. It is possible to use the PBX features using the PS like a PT. A PS can also be used in parallel with a wired telephone (**Wireless XDP Parallel Mode**). In this case, the wired telephone is the main telephone and the PS is the sub telephone.

PC Phone/PC Console Features

This PBX supports PC Phone and PC Console. These Panasonic CTI applications provide advanced features combining telephone and PC, such as the ability to display detailed caller information, including a photograph, on the screen of the PC when a call is received, or to dial a telephone number automatically just by selecting a name.

Hospitality Features

This PBX has several features that support its use in a hotel-type environment. Extensions corresponding to guest rooms can be "checked in" or "checked out" by a designated hotel operator, who can also check or set wake-up calls, and print out records of guest charges.

Built-in Simplified Voice Message (SVM) Features

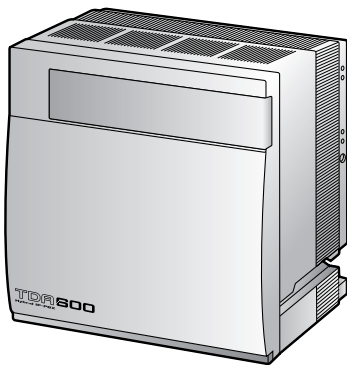
By just installing an optional voice message card in the PBX, simple answering machine services can be provided.

1.2 System Construction

1.2.1 Basic System

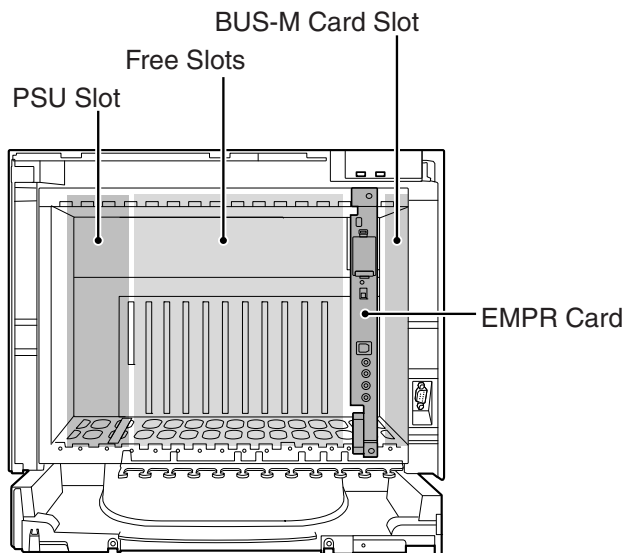
Basic Shelf

The Basic Shelf contains an EMPR card for controlling the PBX. To use the basic system, install a power supply unit (PSU) in the PSU Slot and optional service cards in Free Slots. To expand to a multiple-shelf system, you also need to install a BUS-M card in the BUS-M Card Slot.



Basic Shelf
(KX-TDA600)

Construction of the Basic Shelf

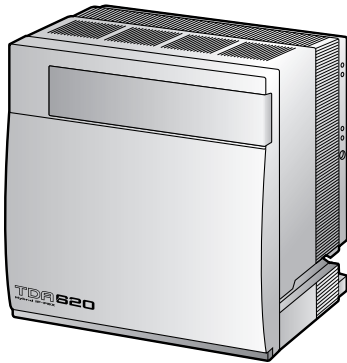


Basic Shelf
(KX-TDA600)

1.2.2 Expanded System

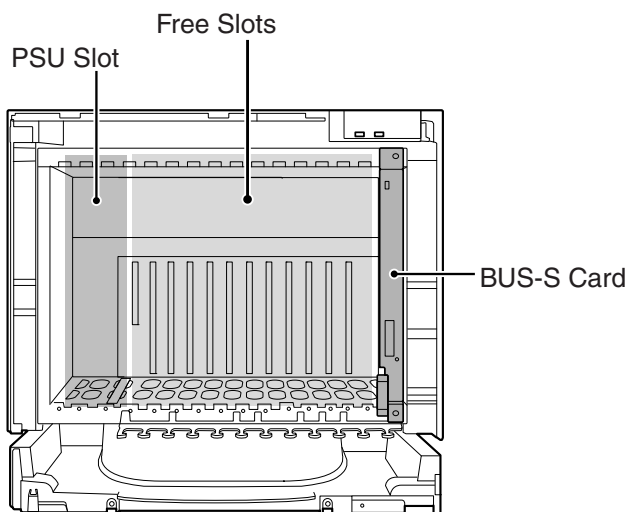
Expansion Shelf

Each Expansion Shelf contains a BUS-S card for connecting to the Basic Shelf. To use Expansion Shelf, connect it to the Basic Shelf, and install a power supply unit (PSU) in the PSU Slot and optional service cards in Free Slots. Up to 3 Expansion Shelves can be connected to the Basic Shelf.



Expansion Shelf
(KX-TDA620)

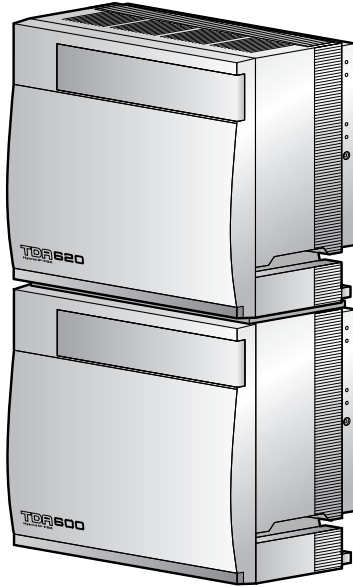
Construction of an Expansion Shelf



Expansion Shelf
(KX-TDA620)

2-shelf System

Expanded system (Basic Shelf + 1 Expansion Shelf). Expansion Shelf 1 is mounted on the Basic Shelf.

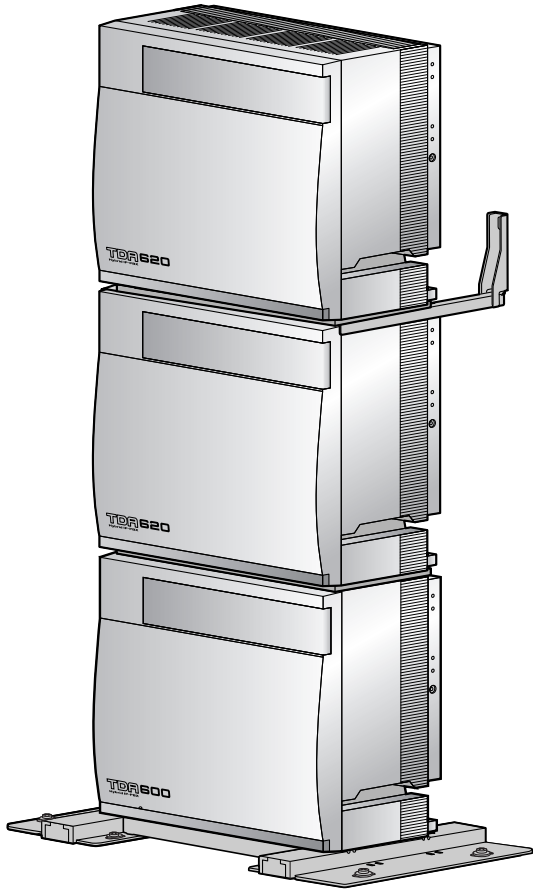


Note

If you are installing a 2-shelf system in an area prone to earthquakes, make sure to fix the system to the wall using the wall brackets (supplied with an optional Mounting Kit).

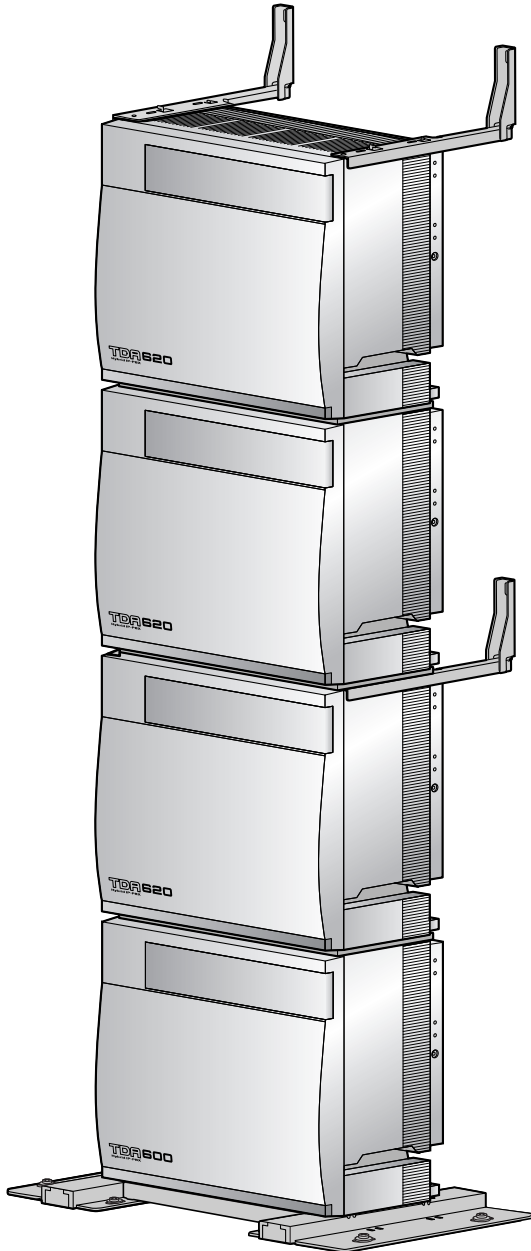
3-shelf System (Tower Type)

Expanded system (Basic Shelf + 2 Expansion Shelves). Expansion Shelves 1 and 2 are mounted on the Basic Shelf. A Mounting Kit is required for the 3-shelf system.



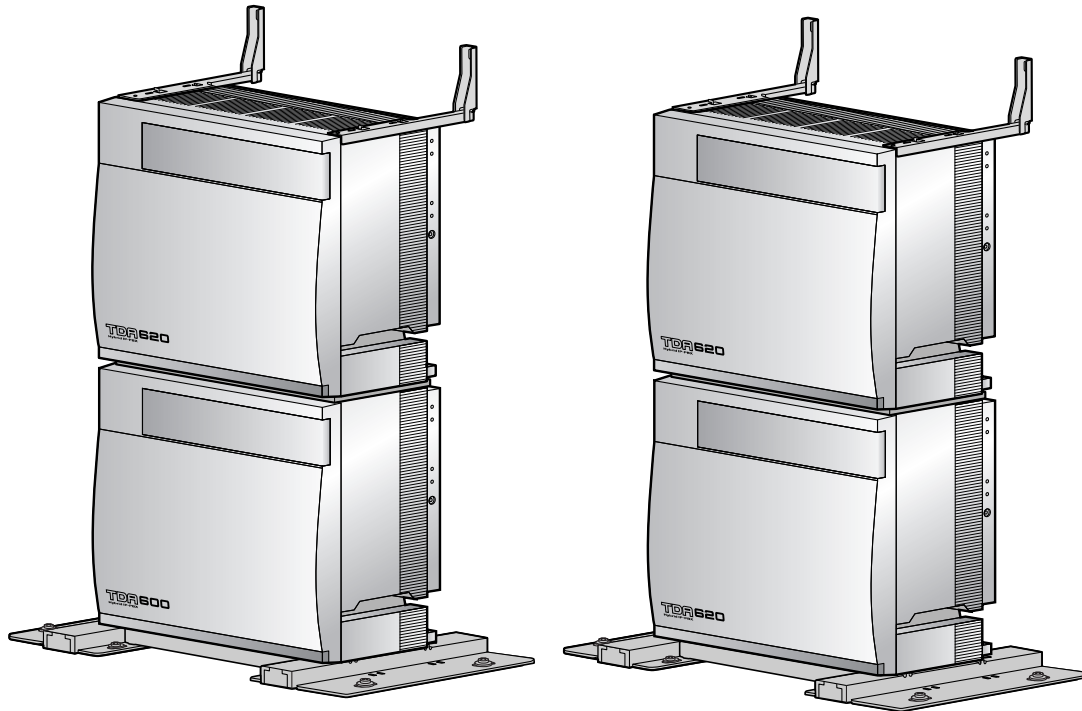
4-shelf System (Tower Type)

Fully expanded system (Basic Shelf + 3 Expansion Shelves). Expansion Shelves 1 to 3 are mounted on the Basic Shelf. A Mounting Kit is required for the 4-shelf system.

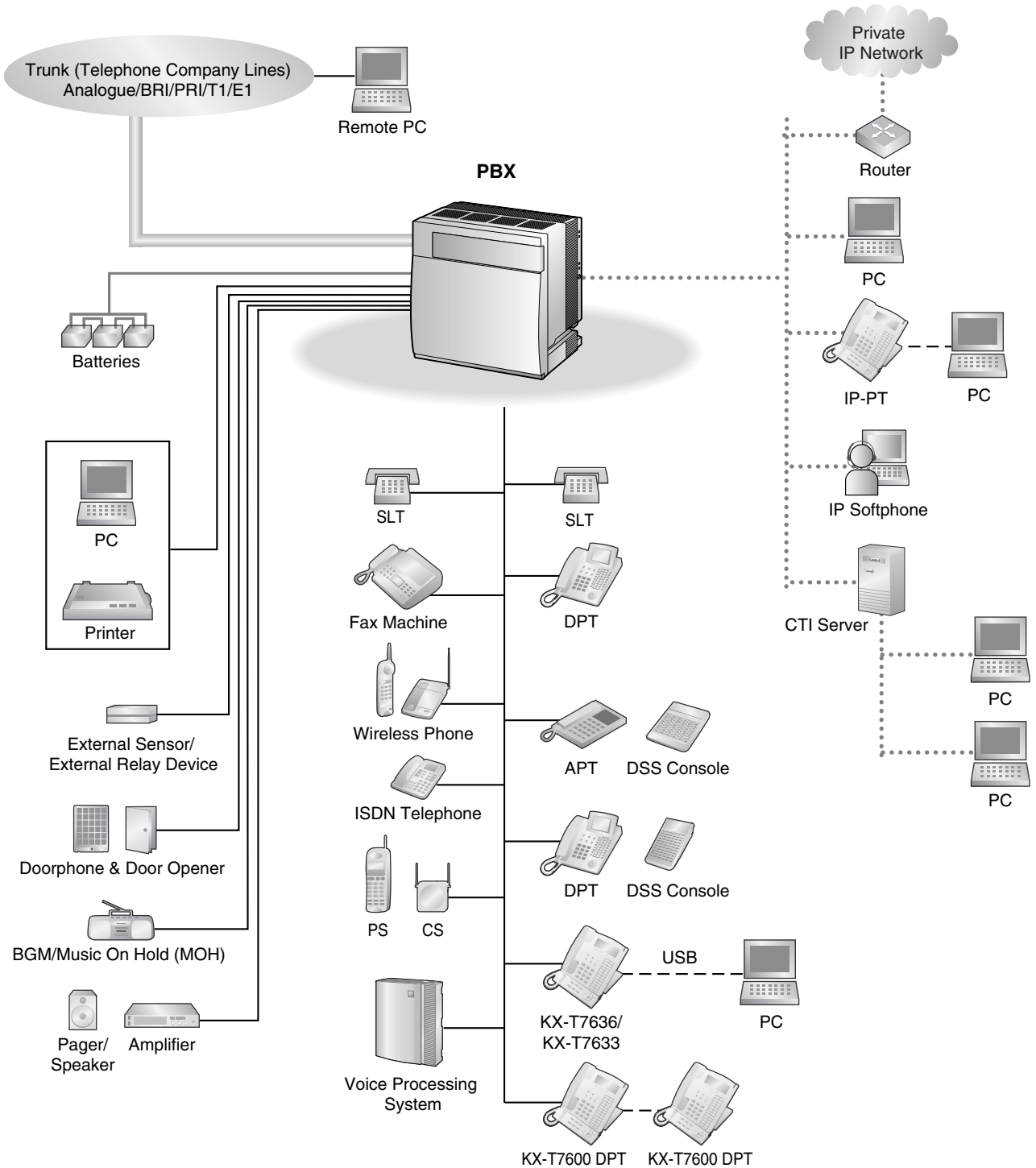


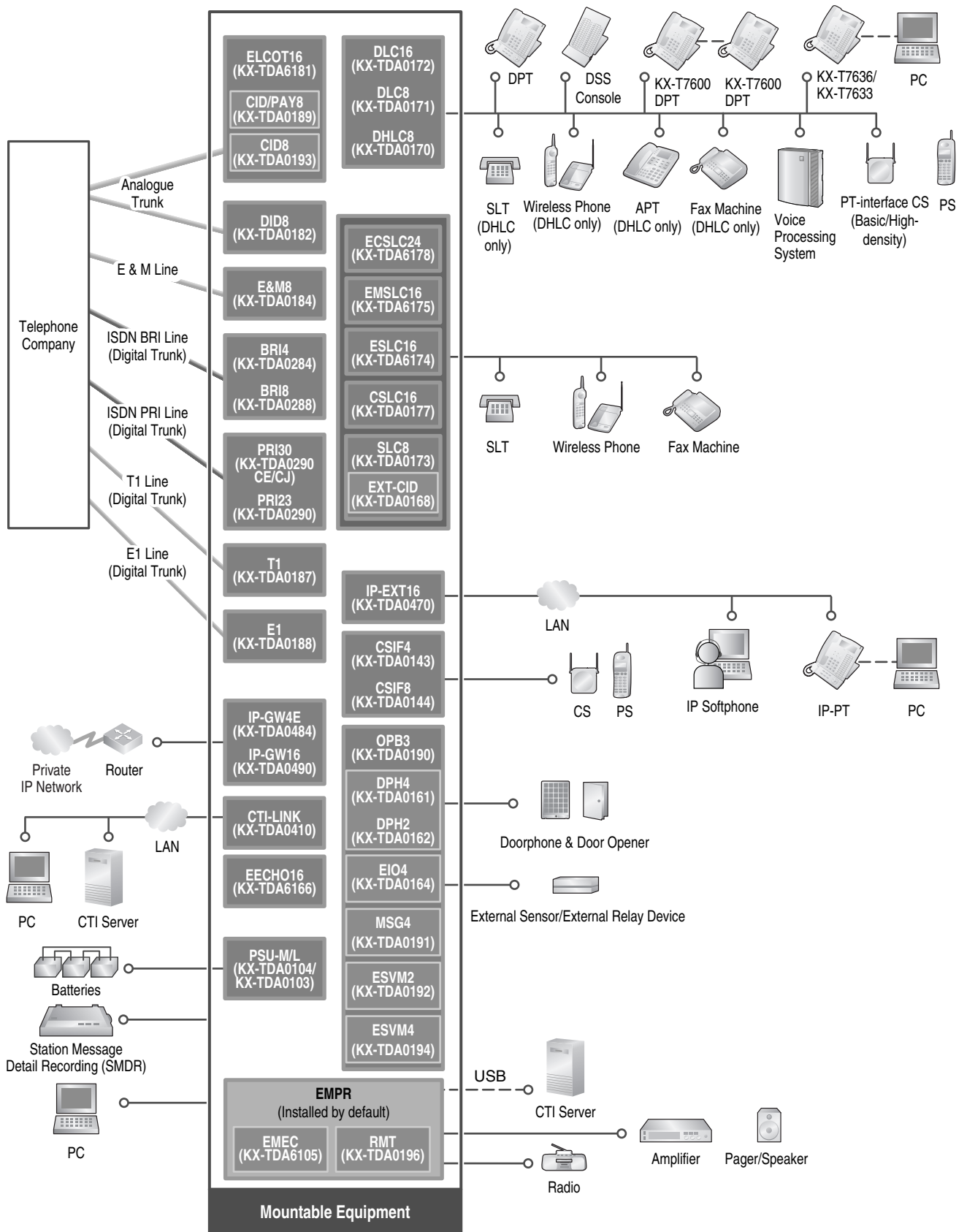
4-shelf System (Side-by-side Type)

When vertical space is limited, it is possible to install a fully expanded system (Basic Shelf + Expansion Shelf 1, and Expansion Shelf 2 + Expansion Shelf 3) in a side-by-side configuration. Expansion Shelf 1 is mounted on the Basic Shelf, and Expansion Shelf 3 is mounted on Expansion Shelf 2. Installing the system using base stands (supplied with an optional Mounting Kit) makes it easy to reinstall shelves in a different place.



1.2.3 System Connection Diagram





1.3 Optional Equipment

1.3.1 Optional Equipment

Model No.	Model Name	Description
KX-TDA0103	L-Type Power Supply Unit (PSU-L)	Power Supply Unit. Total power output of 279 W. Safety Class 1 compliant.
KX-TDA0104	M-Type Power Supply Unit (PSU-M)	Power Supply Unit. Total power output of 140.4 W. Safety Class 1 compliant.
KX-TDA0143	4 Cell Station Interface Card (CSIF4)	4-port CS interface card for 4 CSs.
KX-TDA0144	8 Cell Station Interface Card (CSIF8)	8-port CS interface card for 8 CSs.
KX-TDA0161	4-Port Doorphone Card (DPH4)	4-port doorphone card for 4 doorphones and 4 door openers. To be mounted on the OPB3 card.
KX-TDA0162	2-Port Doorphone Card (German Type) (DPH2)	2-port doorphone card for 2 German-type doorphones and 2 door openers. To be mounted on the OPB3 card.
KX-TDA0164	4-Port External Input/Output Card (EIO4)	4-port external input/output card. To be mounted on the OPB3 card.
KX-TDA0168	Extension Caller ID Card (EXT-CID)	Sends Caller ID signals to extension ports. To be mounted on the SLC8 card only.
KX-TDA0170	8-Port Digital Hybrid Extension Card (DHLC8)	8-port digital hybrid extension card for DPTs, APTs, SLTs, DSS consoles, and PT-interface CSs (Basic/High-density), with 2 power failure transfer (PFT) ports.
KX-TDA0171	8-Port Digital Extension Card (DLC8)	8-port digital extension card for DPTs, DSS consoles, and PT-interface CSs (Basic/High-density).
KX-TDA0172	16-Port Digital Extension Card (DLC16)	16-port digital extension card for DPTs, DSS consoles, and PT-interface CSs (Basic/High-density).
KX-TDA0173	8-Port Single Line Telephone Extension Card (SLC8)	8-port extension card for SLTs with 2 power failure transfer (PFT) ports.
KX-TDA0177	16-Port Single Line Telephone Extension Card with Caller ID (CSLC16)	16-port extension card for SLTs with Caller ID (FSK) and 4 power failure transfer (PFT) ports.
KX-TDA0182	8-Port DID Card (DID8)	8-port DID trunk card.
KX-TDA0184	8-Port E & M Trunk Card (E&M8)	8-port E & M (TIE) trunk card. Type 5 support.
KX-TDA0187	T-1 Trunk Card (T1)	1-port T1 trunk card. EIA/TIA standard compliant.
KX-TDA0188	E-1 Trunk Card (E1)	1-port E1 trunk card. ITU-T standard compliant.

Model No.	Model Name	Description
KX-TDA0189	8-Port Caller ID/Pay Tone Card (CID/PAY8)	8-port Caller ID signal type FSK/FSK (with Call Waiting Caller ID [Visual Caller ID])/DTMF, and 8-port Pay Tone Service (12 kHz/16 kHz). To be mounted on the ELCOT16 card.
KX-TDA0190	Optional 3-Slot Base Card (OPB3)	Optional 3-slot base card for mounting a maximum of 3 optional service cards from the following: MSG4, ESVM2, ESVM4, DPH4, DPH2 or EIO4 card.
KX-TDA0191	4-Channel Message Card (MSG4)	4-channel message card. To be mounted on the OPB3 card.
KX-TDA0192	2-Channel Simplified Voice Message Card (ESVM2)	2-channel simplified voice message card for Built-in Simplified Voice Message feature. Also supports MSG card features. To be mounted on the OPB3 card.
KX-TDA0193	8-Port Caller ID Card (CID8)	8-port Caller ID signal type FSK/FSK (with Call Waiting Caller ID [Visual Caller ID])/DTMF. To be mounted on the ELCOT16 card.
KX-TDA0194	4-Channel Simplified Voice Message Card (ESVM4)	4-channel simplified voice message card for Built-in Simplified Voice Message feature. Also supports MSG card features. To be mounted on the OPB3 card.
KX-TDA0196	Remote Card (RMT)	Analogue modem card for remote communication with the PBX. ITU-T V.90 support. To be mounted on the EMPR card.
KX-TDA0284	4-Port BRI Card (BRI4)	4-port ISDN Basic Rate Interface card with 1 power failure transfer port. EURO-ISDN/ETSI compliant.
KX-TDA0288	8-Port BRI Card (BRI8)	8-port ISDN Basic Rate Interface card with 1 power failure transfer port. EURO-ISDN/ETSI compliant.
KX-TDA0290CE/CJ	PRI Card (PRI30)	1-port ISDN Primary Rate Interface card (30B channels). EURO-ISDN/ETSI compliant.
KX-TDA0290	PRI Card (PRI23)	1-port ISDN Primary Rate Interface card (23B channels). NI (North American standard ISDN protocol) compliant.
KX-TDA0410	CTI Link Card (CTI-LINK)	Ethernet card for CTI communication via 10BASE-T port. CSTA Phase 3 protocol compatible. To be installed in the Basic Shelf only.
KX-TDA0470	16-Channel VoIP Extension Card (IP-EXT16)	16-channel VoIP extension card. Compliant with Panasonic proprietary protocol, and ITU-T G.729a and G.711 CODEC methods.
KX-TDA0484	4-Channel VoIP Gateway Card (IP-GW4E)	4-channel VoIP gateway card. Compliant with VoIP H.323 V.2 protocol, and ITU-T G.729a, G.723.1, and G.711 CODEC methods.
KX-TDA0490	16-Channel VoIP Gateway Card (IP-GW16)	16-channel VoIP gateway card. Compliant with VoIP H.323 V.2 protocol, and ITU-T G.729a, G.723.1, and G.711 CODEC methods.

1.3 Optional Equipment

Model No.	Model Name	Description
KX-TDA6105	Memory Expansion Card (EMEC)	Memory expansion card to increase system data storage space, enable Broadcasting and Call Billing for Guest Room features, and double the number of PSs. To be mounted on the EMPR card.
KX-TDA6110	Bus Master Card (BUS-M)	Optional shelf expansion card required when mounting Expansion Shelves. To be installed in the Basic Shelf only.
KX-TDA6111	Bus Master Expansion Card (BUS-ME)	Optional shelf expansion card required when mounting Expansion Shelf 2 or 3. To be mounted on the BUS-M card installed in the Basic Shelf.
KX-TDA6166	16-Channel Echo Canceller Card (EECHO16)	16-channel card for echo cancellation during conferences.
KX-TDA6174	16-Port Single Line Telephone Extension Card (ESLC16)	16-port extension card for SLTs with 4 power failure transfer (PFT) ports.
KX-TDA6175	16-Port Single Line Telephone Extension with Message Lamp Card (EMSLC16)	16-port extension card for SLTs with Message Waiting Lamp control and 4 power failure transfer (PFT) ports. Maximum power output of 160 V/90 V for Message Waiting Lamp control.
KX-TDA6178	24-Port Single Line Telephone Extension Card with Caller ID (ECSLC24)	24-port extension card for SLTs with Caller ID (FSK) and 4 power failure transfer (PFT) ports. Can only be installed in shelves in which a PSU-L is installed.
KX-TDA6181	16-Port Analogue Trunk Card (ELCOT16)	16-port analogue trunk card with 4 power failure transfer (PFT) ports.
KX-TDA6201	Mounting Kit	Mounting Kit for expanding to a 3- or 4- shelf system.
KX-TDA6920	SD Memory Card for Software Upgrade to Enhanced Version	Optional SD Memory Card to use enhanced features. For more details, refer to the SD Memory Card Installation/Upgrade Guide.

1.4 Specifications

1.4.1 General Description

Control Bus		Original bus (16-bit, 8 MHz, 10 megabytes per second)
Communication Bus		H.100 bus conformity (1024 time slots)
Switching		Distributed Switching
Power Input	PSU-M	100 V AC to 130 V AC; 2.5 A/200 V AC to 240 V AC; 1.4 A; 50 Hz/60 Hz
	PSU-L	100 V AC to 130 V AC; 5.1 A/200 V AC to 240 V AC; 2.55 A; 50 Hz/60 Hz
External Battery		+36 V DC (+12 V DC × 3, recommended maximum capacity per shelf is 28 Ah)
Maximum Power Failure Tolerance		300 ms (without using backup batteries)
Memory Backup Duration		7 years
Dialling	Trunk	Dial Pulse (DP) 10 pps, 20 pps Tone (DTMF) Dialling
	Extension	Dial Pulse (DP) 10 pps, 20 pps Tone (DTMF) Dialling
Mode Conversion		DP-DTMF, DTMF-DP
Ring Frequency		20 Hz/25 Hz (selectable)
Trunk Loop Limit		1600 Ω maximum
Operating Environment	Temperature	0 °C to 40 °C
	Humidity	10 % to 90 % (non-condensing)
Conference Call Trunk (per shelf)		From 10 × 3-party conference call to 4 × 8-party conference call
Music on Hold (MOH)		2 ports (Level Control: -11 dB to +11 dB in 1 dB steps) MOH1: External Music Source port MOH2: Selectable Internal/External Music Source port
Paging	Internal	Level Control: -15 dB to +6 dB in 3 dB steps
	External	2 ports (Volume Control: -15 dB to +15 dB in 1 dB steps)
Serial Interface Port	RS-232C	1 (maximum 115.2 kbps)
	USB	1

1.4 Specifications

Extension Connection Cable		SLT	1-pair wire (T, R)
		DPT	1-pair wire (D1, D2) or 2-pair wire (T, R, D1, D2)
		APT	2-pair wire (T, R, D1, D2)
		PT-interface CS (Basic)	1-pair wire (D1, D2)
		PT-interface CS (High-density)	4-pair wire (D1, D2)
		DSS Console and Add-on Key Module	1-pair wire (D1, D2)
Dimension	Basic Shelf	430 mm (W) × 415 mm (H) × 270 mm (D)	
	Expansion Shelf	430 mm (W) × 415 mm (H) × 270 mm (D)	
Weight (when fully mounted)	Basic Shelf	Under 16 kg	
	Expansion Shelf	Under 16 kg	

1.4.2 Characteristics

Terminal Equipment Loop Limit	<ul style="list-style-type: none"> • PT: KX-T7600 series DPT: 90 Ω; all other DPTs/APTs: 40 Ω • SLT: 600 Ω including set • Doorphone: 20 Ω • CS: 130 Ω; PT-interface CS (Basic/High-density): 65 Ω
Minimum Leakage Resistance	15 000 Ω minimum
Maximum Number of Extension Instruments per Line	<p>1 for PT or SLT</p> <p>2 by Parallel or eXtra Device Port connection of an APT/DPT and an SLT</p> <p>3 by Digital eXtra Device Port connection of 2 DPTs and an SLT</p>
Ring Voltage	75 Vrms at 20 Hz/25 Hz depending on the Ringing Load
Trunk Loop Limit	1600 Ω maximum
Hookswitch Flash/Recall Timing Range	24 ms to 2032 ms
BRI Cards Internal ISDN Mode	<p>Supply Voltage: 40 V</p> <p>Power Supply (BRI4): 4.5 W per 1 line, 10 W per 4 lines</p> <p>Power Supply (BRI8): 4.5 W per 1 line, 20 W per 8 lines</p> <p>Power Supply Method: Phantom Power Supply</p>
Door Opener Current Limit	24 V DC/30 V AC, 1 A maximum
External Relay Current Limit	24 V DC/30 V AC, 1 A maximum
External Sensor Current Limit	Power to the external sensor is provided from the EIO4 card and must be grounded through the EIO4 card. For the connection diagram, refer to "2.8.4 EIO4 Card (KX-TDA0164)". The PBX detects input from the sensor when the signal is under 100 Ω .
Paging Terminal Impedance	600 Ω
MOH (Music on Hold) Terminal Impedance	10 000 Ω

1.4.3 System Capacity

Number of Free Slots

The PBX supports the following number of free slots for optional service cards.

Basic System	2-shelf System	3-shelf System	4-shelf System
10	21	32	43

Maximum Trunk and Extension

The PBX supports the following number of trunks and extensions.

Type		Basic System	2-shelf System	3-shelf System	4-shelf System
Trunk		160	320	480	640
Extension	PT	256	512	640 ^{*1}	640 ^{*1}
	SLT	240	480	720	960
	PT + SLT	304	608	880	1120

^{*1} The maximum number of PTs in the whole system is limited to 640.

Maximum Optional Service Cards

There are 2 types of optional service cards for installation:

- Cards installed in the slots of the PBX
- Cards mounted on other optional service cards

Notes

- Any card that exceeds the capacity of the PBX will be ignored.
- When the PBX starts up with an invalid configuration, some cards will be ignored.

Cards Installed in the Slots of the PBX

The following number of optional service cards can be installed in the Free Slots of the PBX.

In addition, a single BUS-M card can be installed in the BUS-M Card Slot of the Basic Shelf.

Card Type	Basic System	2-shelf System	3-shelf System	4-shelf System
Trunk Card	10* ¹	20* ¹	30* ¹	40* ¹
ELCOT16	10	20	30	40
DID8				
E&M8				
BRI4				
BRI8				
T1	5	10	15	20
E1				
PRI23				
PRI30				
IP-GW4E	10	20	30	40
IP-GW16				
Extension Card	10	20	30	40
DHLC8	10	20	30	40
DLC8				
DLC16				
SLC8				
CSLC16				
ESLC16				
ECSLC24* ²				
EMSLC16				
IP-EXT16				
CSIF4				
CSIF8				
OPB3	4	8	12	16
CTI-LINK* ³	1			
EECHO16	2	4	6	8

*¹ One T1, E1, PRI30, or PRI23 card counts as 2 cards.

*² Can only be installed in shelves in which a PSU-L is installed.

*³ Can be installed in the Basic Shelf only.

1.4 Specifications

Cards Mounted on Other Optional Service Cards

The following number of optional service cards can be mounted on the specified other optional service cards.

Card Type	Basic System	2-shelf System	3-shelf System	4-shelf System	Mounted on
EMEC	1				EMPR Card
RMT	1				
CID/PAY8	20	40	60	80	ELCOT16 Card
CID8					
EXT-CID	10	20	30	40	SLC8 Card
DPH4	4	8	12	16	OPB3 Card
DPH2	8	16	24	32	
MSG4	4	8	12	16	
ESVM2					
ESVM4					
EIO4	4	8	12	16	
BUS-ME	-		1	2	BUS-M Card

Maximum Terminal Equipment

The following number of items of terminal equipment can be supported by the PBX.

Terminal Equipment Type	Basic System	2-shelf System	3-shelf System	4-shelf System
Telephone (using Digital XDP)	240 (304) ^{*1}	480 (608) ^{*1}	720 (880) ^{*1}	960 (1120) ^{*1}
SLT	240	480	720	960
KX-T7600 series DPT	256	512	640	640
Other DPT	128	256	384	512
APT	80	160	240	320
IP-PT	160	320	480	640
DSS console	64			
Basic CS	32	64	96	128
High-density CS	16	32	48	64
PS (without an EMEC card)	256			
PS (with an EMEC card)	512			
Voice Processing System (VPS) ^{*2}	8			
Doorphone	16	32	48	64
Door Opener	16	32	48	64
External Sensor	16	32	48	64
External Relay	16	32	48	64

^{*1} Even when Digital XDP is used, each shelf supports a maximum of 256 KX-T7600 series DPTs.

^{*2} Only a single VPS can be connected to one optional service card.

Power Supply Unit Selection for Each Shelf

The PBX needs a power supply unit (PSU) suitable for its configuration. For each shelf, calculate the load figure from the type and number of items of equipment to be connected, and then determine the type of PSU that will be required.

Note

Regardless of the total load figure, if a shelf contains an ECSLC24 card, the PSU-L must be installed.

Load Figure Calculation

Equipment Type		Load Figure
PT	KX-T7600 series DPT/KX-T7600 series DSS console	1
	KX-T7560/KX-T7565 DPT	1
	Other DPT/Other DSS console	4
	APT	4
	IP-PT	0
Extension Card*1	DHLC8	8
	SLC8	8
	ESLC16/CSLC16/EMSLC16	16
	ECSLC24	24
Basic CS (1 unit)		4
High-density CS (1 unit)		8
ISDN Extension		2
VPS (1 port)		1

*1 Only the extension cards that can support SLTs count for the load figures.

PSU Capacity

Each PSU supports a different load figure.

PSU Type	Maximum Load Figure
PSU-M	128
PSU-L	512

If the total load figure is greater than 128, you must install the PSU-L. If the total load figure is less than 128, but you expect expansion in the future, it may be better to install the PSU-L instead of the PSU-M. There is no harm in installing a PSU that is larger than is required for the current configuration.

Calculation Example

Equipment Type		Load Figure
KX-T7600 series DPT	48 units	48
Other DPT	4 units	16
ESLC16	1 card	16
EMSLC16	3 cards	48
VPS	8 ports	8
Total		136

The total load figure is 136. As this is between 128 and 512, you must install the PSU-L.

1.4 Specifications

Section 2

Installation

This section describes the procedures to install the PBX. Detailed instructions for planning the installation site, installing the shelves and optional service cards, and cabling of peripheral equipment are provided. Further information on system expansion and peripheral equipment installation is included.

2.1 Before Installation

2.1.1 Before Installation

Please read the following notes concerning installation and connection before installing the PBX and terminal equipment.

Be sure to comply with all applicable laws, regulations, and guidelines.

Safety Installation Instructions

When installing telephone wiring, basic safety precautions should always be followed to reduce the risk of fire, electric shock and injury to persons, including the following:

1. Never install telephone wiring during a lightning storm.
2. Never install telephone jacks in wet locations unless the jack is specifically designed for wet locations.
3. Never touch uninsulated telephone wires or terminals unless the telephone line has been disconnected at the network interface.
4. Use caution when installing or modifying telephone lines.

Installation Precautions

This PBX is designed for both floor standing and wall mounting, and should be installed in a location where it is accessible for inspections and maintenance.

To prevent malfunction, noise, or discolouration, avoid installing the system in the following locations:

1. In direct sunlight and hot, cold, or humid places. (Temperature range: 0 °C to 40 °C)
2. Areas where sulfuric gases may be present, such as near thermal springs.
3. Areas where shocks or vibrations are frequent or strong.
4. High-dust areas, or places the system may come into contact with water or oil.
5. Near devices that generate high frequencies, such as sewing machines or electric welders.
6. On or near computers, telexes, or other office equipment, as well as microwave ovens or air conditioners. (It is preferable not to install the system in the same room as the above equipment.)
7. Within 1.8 m of radios and televisions. (Both the PBX and PTs should be at least 1.8 m away from such devices).
8. Locations where other objects will obstruct the area around the PBX. Be especially careful to leave at least 20 cm of space above and 10 cm to the sides of the PBX for ventilation.
9. Do not block the openings of the PBX.
10. Do not stack up the optional service cards.

Wiring Precautions

Be sure to follow these instructions when wiring the unit:

1. Do not run unshielded telephone cables near AC power cables, computer cables, AC power sources, etc. When running cables near other noise-generating devices or cables, use shielded telephone cables or shield the telephone cables with metal tubing.
2. If cables are run on the floor, use protectors to prevent the cables from being stepped on. Avoid running cables under carpets.
3. Avoid using the same AC outlet for computers, telexes, and other office equipment, as noise generated by such equipment may hamper system performance or interrupt the system.




4. Use 2-pair telephone cables when connecting PTs.
Use 1-pair telephone cables when connecting SLTs, data terminals, answering machines, computers, Voice Processing Systems, etc.
5. Unplug the system from its power source when wiring, and plug the system back in only after all wiring is completed.
6. Mis-wiring may cause the PBX to operate improperly. Refer to Section 2 "Installation" when wiring the system.
7. If an extension does not operate properly, disconnect the telephone from the extension line and connect it again, or turn off the PBX using the power switch, then turn it on again.
8. For safety purposes this unit is equipped with an earthed plug. if you do not have an earthed outlet, please have one installed. Do not bypass this safety feature by tampering with the plug.
9. Use twisted pair cable for trunk connection.
10. Trunks should be installed with surge protectors. For details, refer to "2.2.17 Surge Protector Installation".

2.2 Installation of the PBX

2.2.1 Unpacking

Supplied Items for the Basic Shelf (KX-TDA600)

Unpack the box and check the items below:




Main Unit		1
AC Cord with a Ferrite Core* ¹		1* ²
Metal Bracket		1
Anchor Plug		4
Fan Guard		2
Mini Plug (for pager and music source)		4
SD Memory Card		1
Screw A		4
Screw B		6
Screw C		2

*¹ In Canada, there is no ferrite core attached to the AC cord.

*² The KX-TDA600BX is supplied with 2 types of AC cord. Please use whichever is appropriate for the country/area.

Supplied Items for an Expansion Shelf (KX-TDA620)

Unpack the box and check the items below:


Main Unit		1
AC Cord with a Ferrite Core* ¹		1* ²
Metal Bracket		1
Anchor Plug		4
Fan Guard		2
Screw A		4
Screw B		6
Screw C		2

*¹ In Canada, there is no ferrite core attached to the AC cord.

*² The KX-TDA620BX is supplied with 2 types of AC cord. Please use whichever is appropriate for the country/area.

Supplied Items for the Mounting Kit (KX-TDA6201)

Unpack the box and check the items below:

Wall Bracket (Right)		2
Wall Bracket (Left)		2
Base Stand		4
Support Bracket		4
Washer		16
Screw D		8

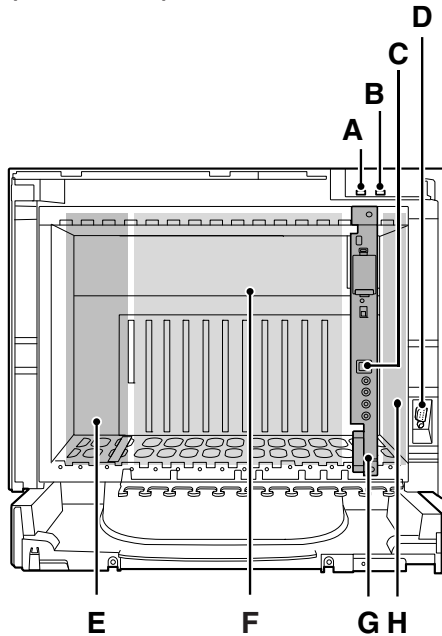
Notes

- If you are installing a multiple-shelf system in an area prone to earthquakes, make sure to fix the system to the wall using the wall brackets.
- When installing the Mounting Kit, it is necessary to use the screws (A) and anchor plugs supplied with the Basic Shelf or Expansion Shelf.

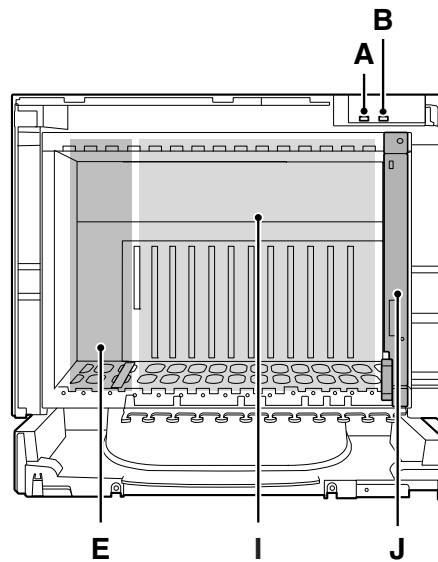
2.2.2 Names and Locations

Inside View

Basic Shelf
(KX-TDA600)



Expansion Shelf
(KX-TDA620)

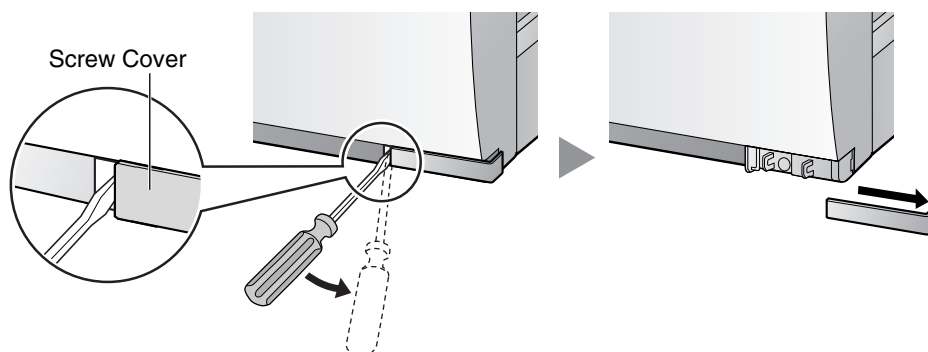


- A. RUN Indicator
- B. ALARM Indicator
- C. USB Port
- D. RS-232C Port
- E. PSU Slot
- F. Free Slots 1 to 10 (from the left)
- G. EMPR Card
- H. BUS-M Card Slot
- I. Free Slots 1 to 11 (from the left)
- J. BUS-S Card

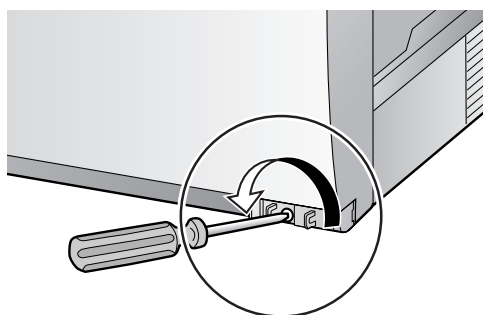
2.2.3 Opening/Closing the Front Cover

Opening the Front Cover

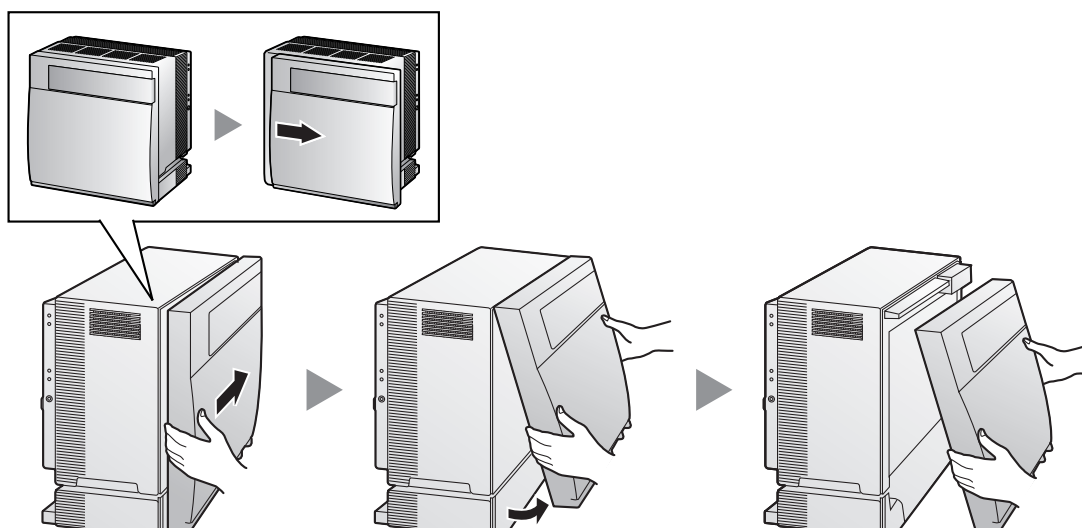
1. Insert a flathead screwdriver into the opening (on the left of the screw cover) and unlatch the screw cover.



2. Turn the screw anticlockwise to loosen.

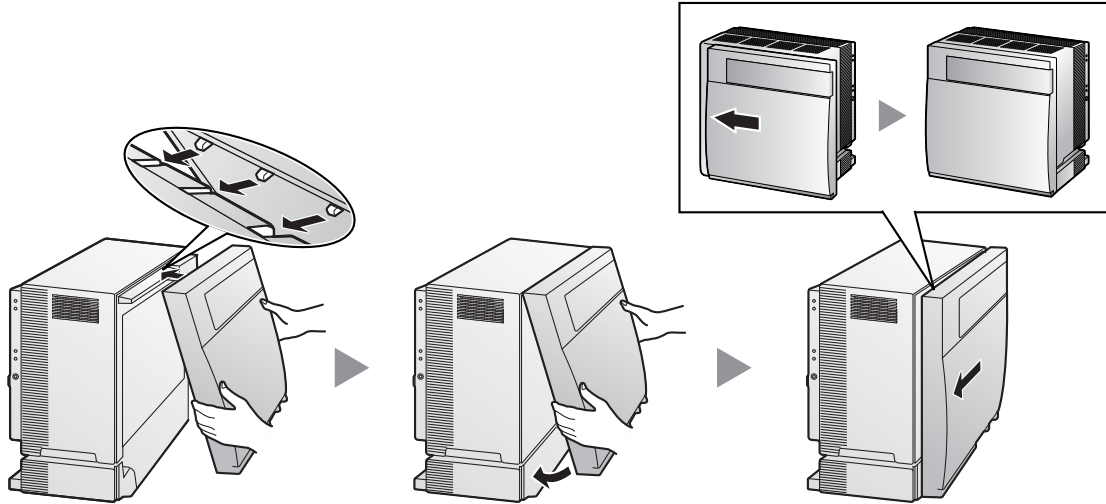


3. Slide the front cover to the right until it stops, then lift the front cover.

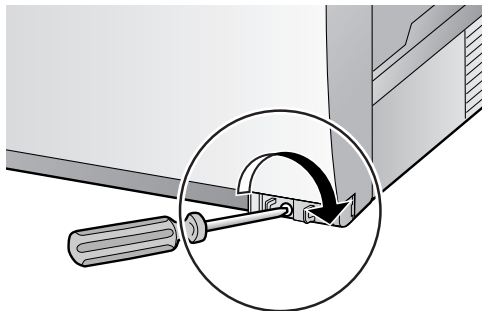


Closing the Front Cover

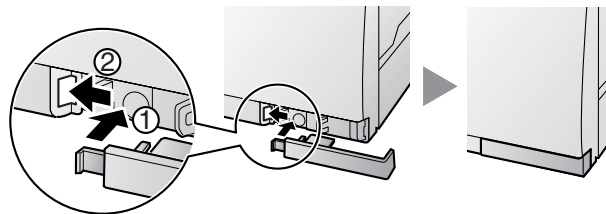
1. Hook the front cover onto the shelf (line up the protrusions on the cover with the receptacles on the shelf). Then slide the front cover to the left until it locks.



2. Turn the screw clockwise to tighten.



3. Secure the screw cover.



CAUTION

- For safety reasons, close the front cover and tighten the screw before operating the PBX.
- Do not forget to tighten the screw before securing the screw cover.

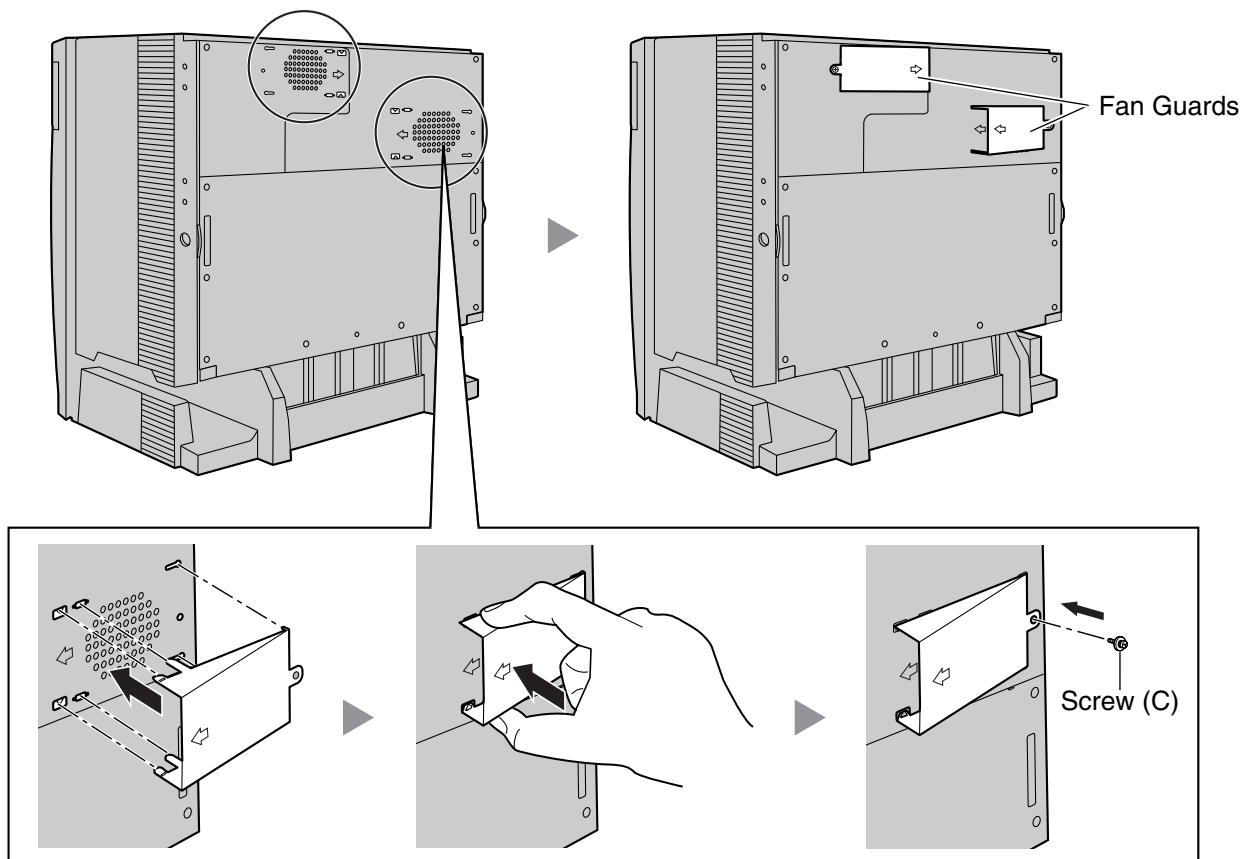
2.2.4 Attaching Fan Guards

Attaching Fan Guards

Fan Guards (supplied with the shelf) must be attached using the screws (C) when:

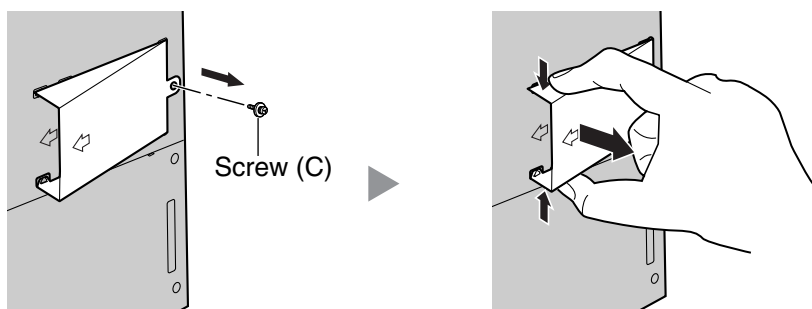
- installing a multiple-shelf system,
- mounting the shelf on the wall, or
- installing the shelf near the wall

to protect the air vents on the back of the shelf.



Note

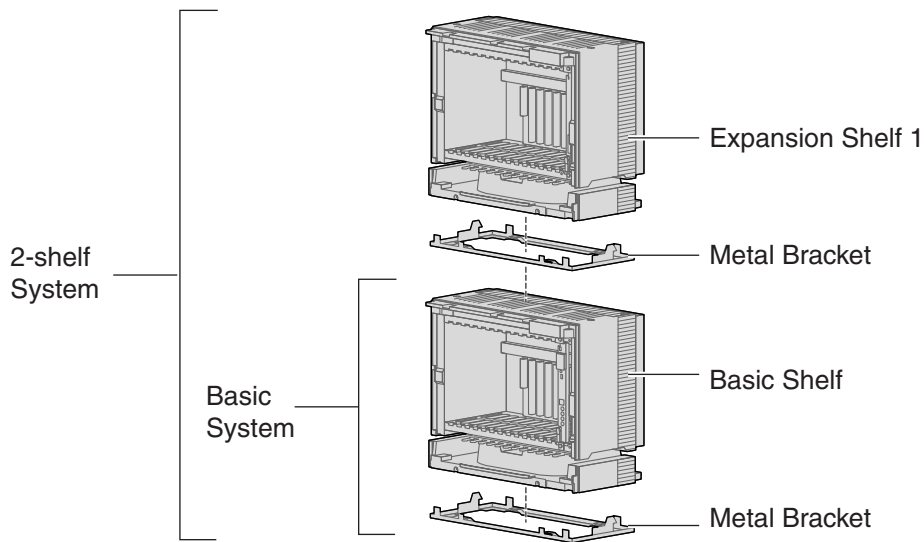
If you need to remove the Fan Guard:



2.2.5 Installation of Basic System or 2-shelf System (Floor Standing)

The PBX can be expanded to a 2-shelf system by mounting an Expansion Shelf on the Basic Shelf.

Construction of Basic System or 2-shelf System



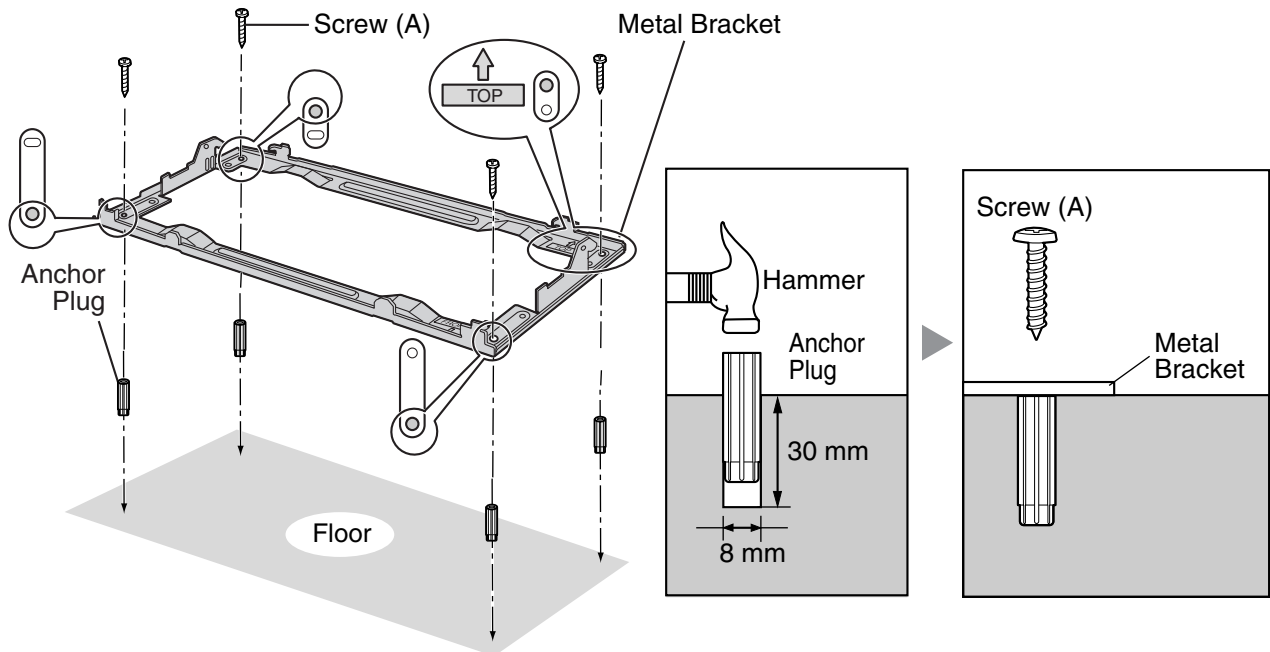
Notes

- Make sure to remove the front cover from each shelf before installing the shelves (refer to "2.2.3 Opening/Closing the Front Cover").
- Do not install any optional service cards or a PSU in the shelves before installation.
- Do not block the openings of the shelf. Allow space of at least 10 cm at the sides of the shelf, and 20 cm above the top-mounted shelf.
- Make sure that the surface behind the shelf is flat and free of obstacles, so that the openings on the back of the shelf will not be blocked.
- Make sure that the surface behind the shelf is not made of wood.
- Be careful not to drop the shelf.

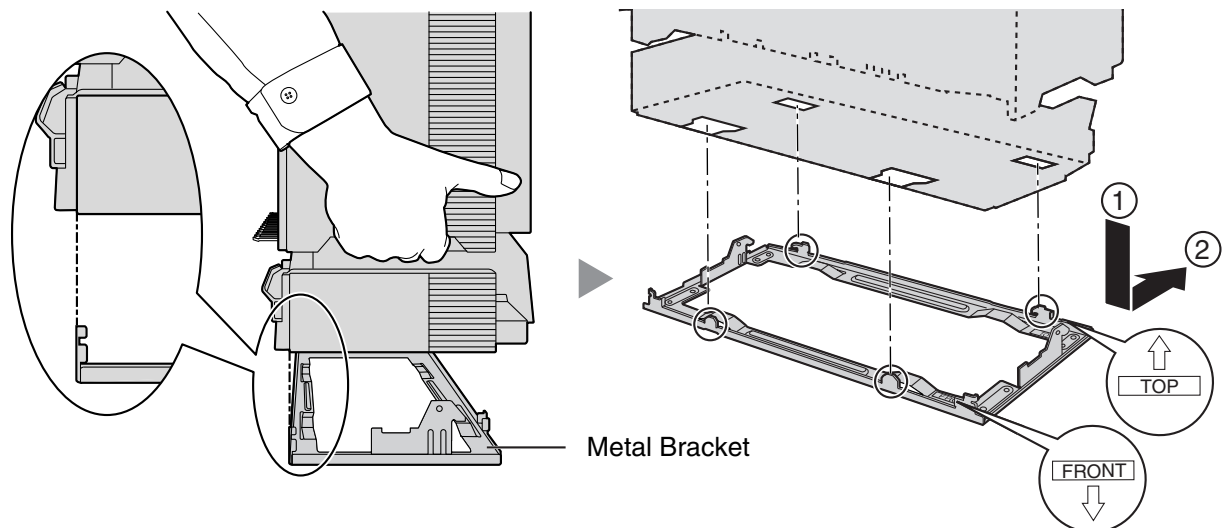
Installing the Basic Shelf

For the basic system, install the metal bracket (supplied with the Basic Shelf) on the floor first. Then, attach the Basic Shelf to the metal bracket.

1. Install 4 anchor plugs on the floor, using the metal bracket as a template. Fix the metal bracket in place with 4 screws (A).

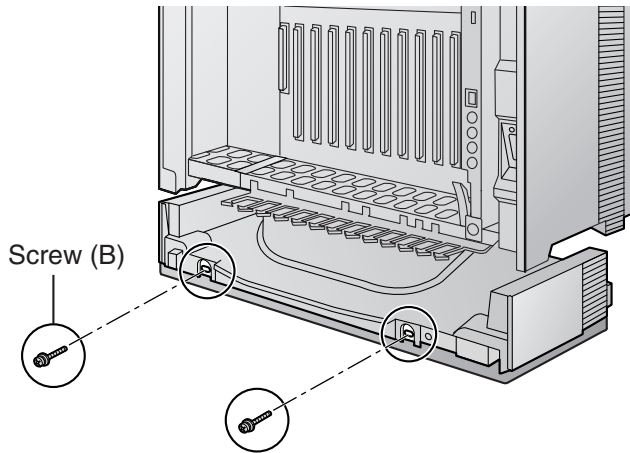


2. Lift the Basic Shelf, attach it to the metal bracket, and slide it backwards until it locks.



2.2 Installation of the PBX

3. Secure the Basic Shelf to the metal bracket with 2 screws (B).

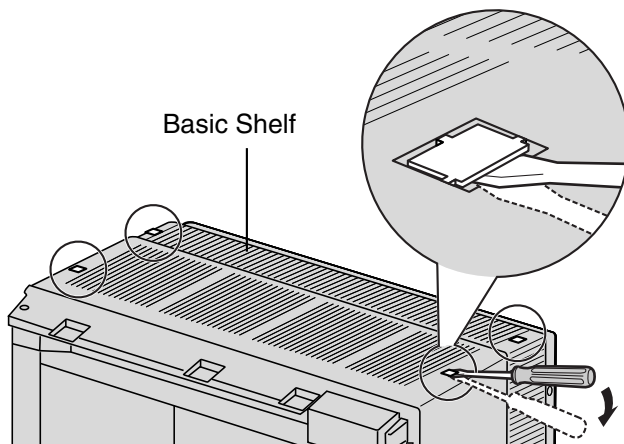


Installation of the basic system is complete. If you are installing a 2-shelf system, follow the procedure below.

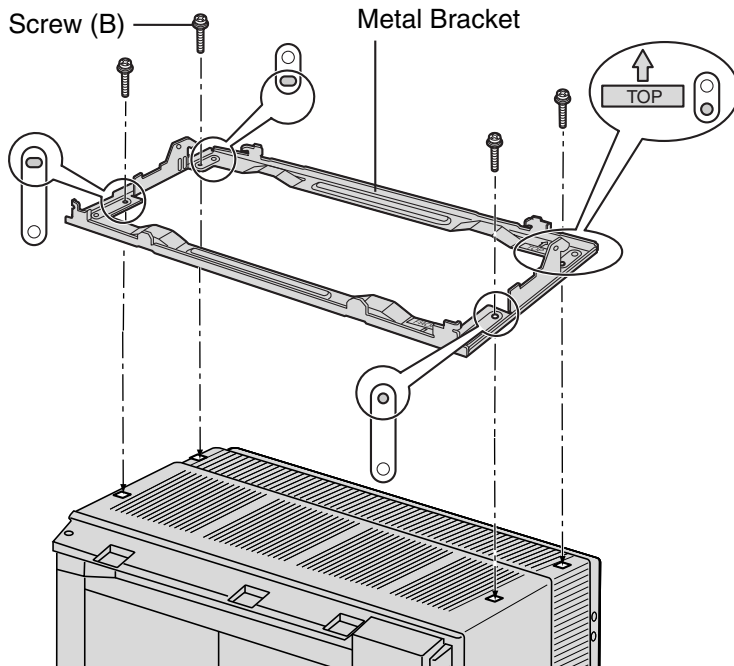
Mounting Expansion Shelf 1

For the 2-shelf system, attach the metal bracket (supplied with the Expansion Shelf 1) to the Basic Shelf first. Then, mount Expansion Shelf 1 on the Basic Shelf.

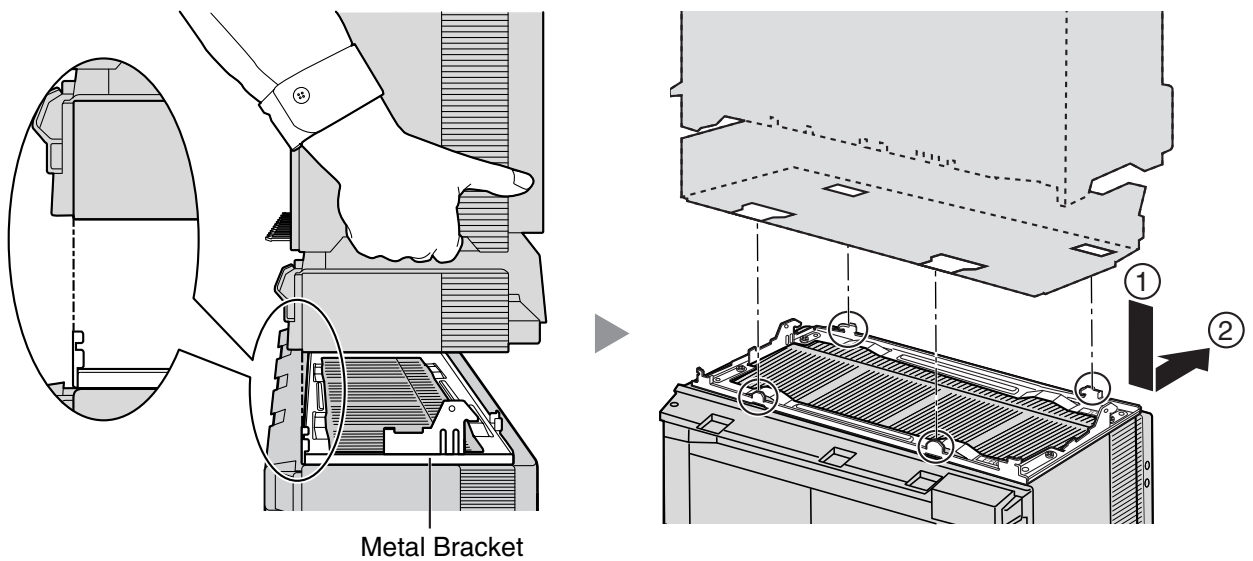
1. Remove the 4 tabs on the top cover of the Basic Shelf, by using a flathead screwdriver, as shown below.



- Fix the metal bracket to the Basic Shelf with 4 screws (B).

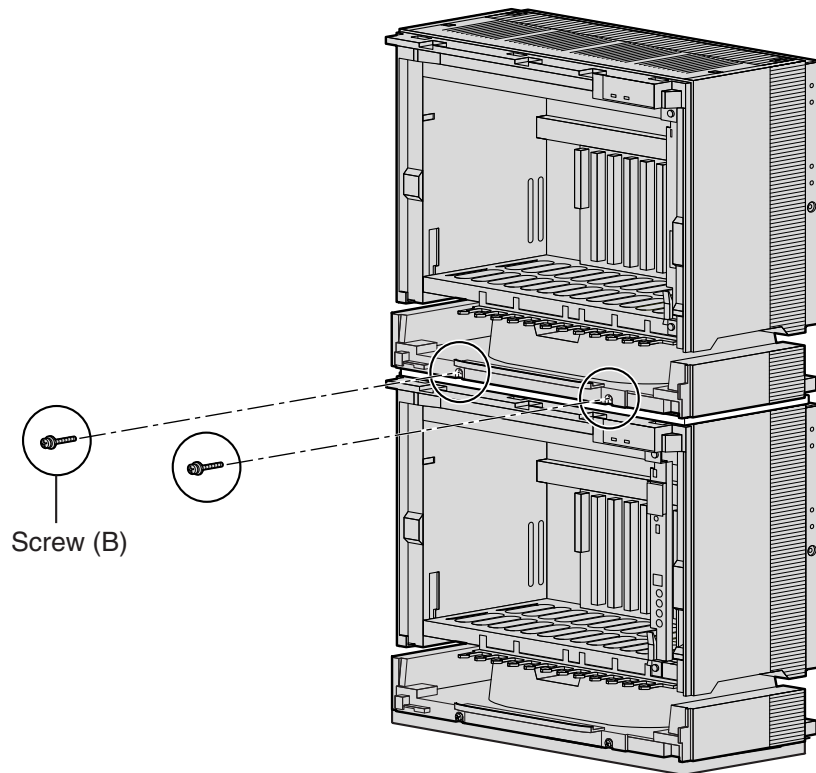


- Lift Expansion Shelf 1, attach it to the metal bracket on the Basic Shelf, and slide it backwards until it locks.



2.2 Installation of the PBX

4. Secure Expansion Shelf 1 to the metal bracket with 2 screws (B).



Shelf installation is complete. Next, it is necessary to connect the shelves.

Connecting Shelves

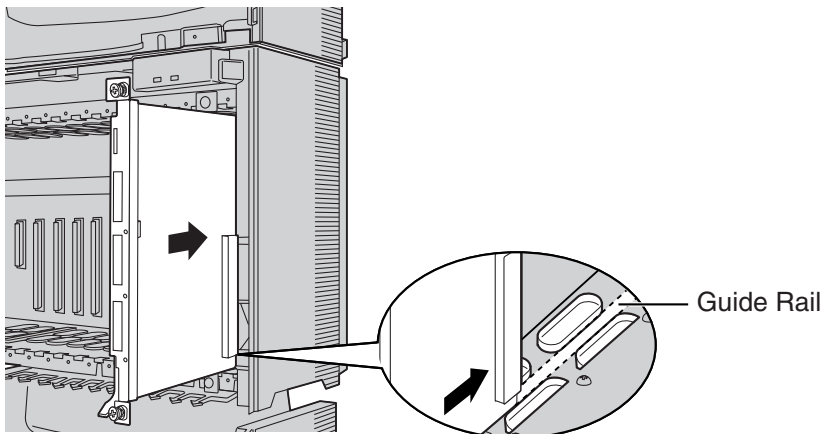
For the 2-shelf system, you need to install an optional BUS-M card in the Basic Shelf. To connect the shelves, plug the Bus Cable (supplied with the BUS-M card) into the bottom slot of the BUS-M card. Then, plug the other end into the BUS-S card built in to Expansion Shelf 1.

For details about the cards, refer to "2.4.1 BUS-M Card (KX-TDA6110)" and "2.5.1 BUS-S Card".

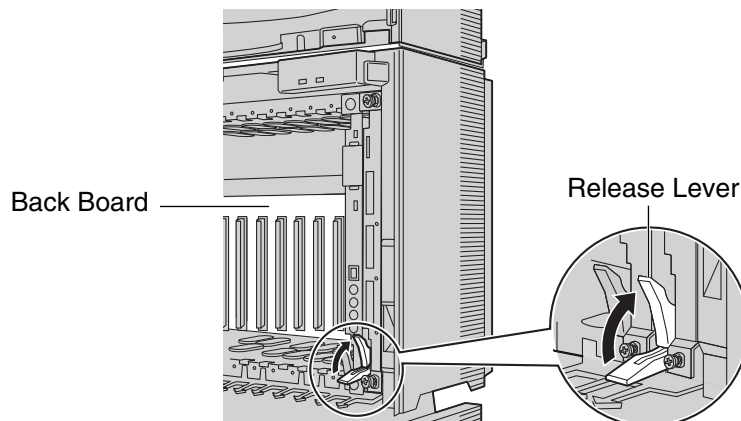
Note

When installing or removing the BUS-M card, make sure that the DC power supply is turned off.

1. Insert the BUS-M card along the guide rails in the BUS-M Card Slot (the right-most slot) of the Basic Shelf.

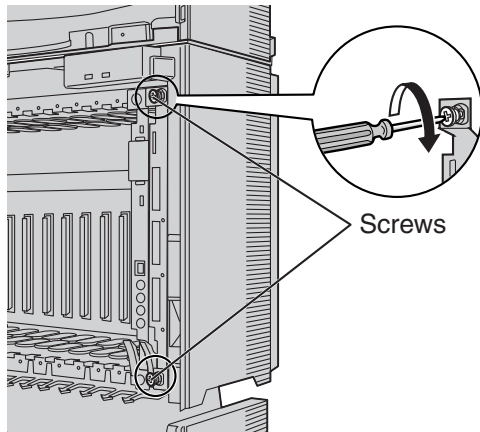


2. Push the release lever in the direction of the arrow so that the BUS-M card engages securely with the connector on the back board.



2.2 Installation of the PBX

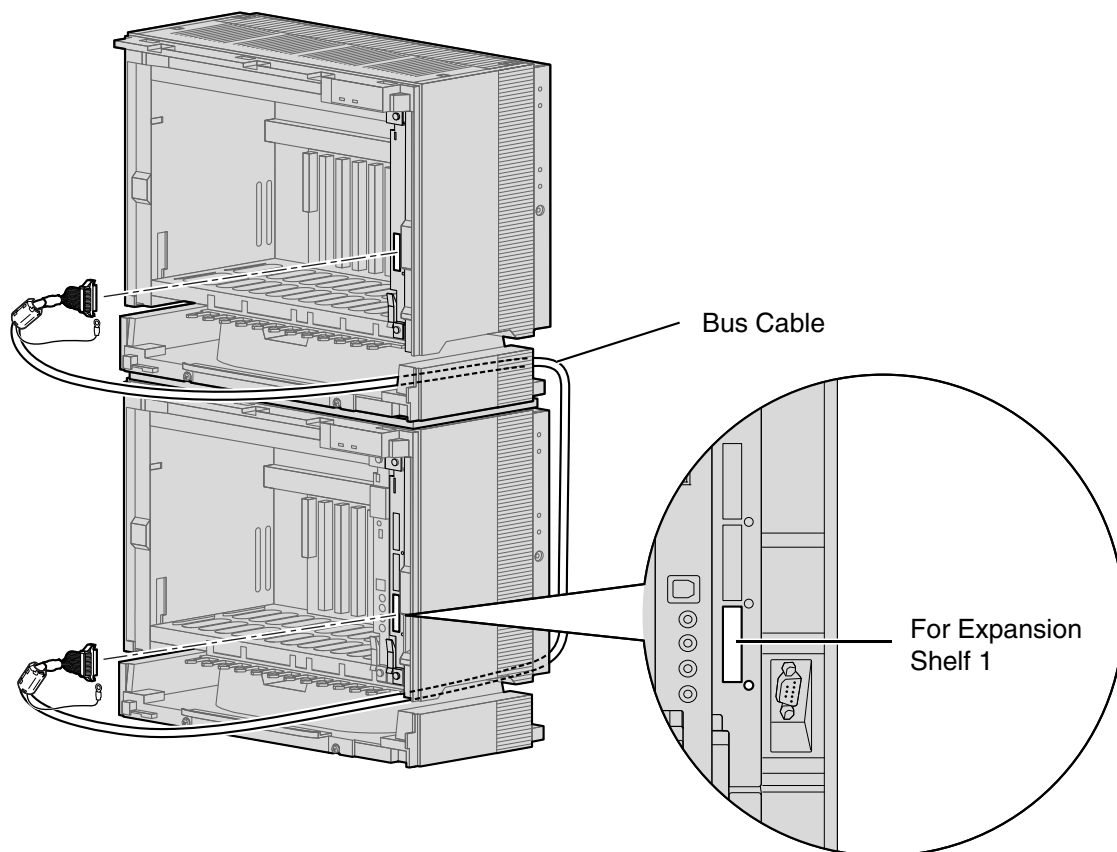
3. Turn the 2 screws clockwise to fix the BUS-M card in place.



4. Plug the Bus Cable into the bottom port of the BUS-M card in the Basic Shelf. Then, plug the other end into the BUS-S card in Expansion Shelf 1.

Note

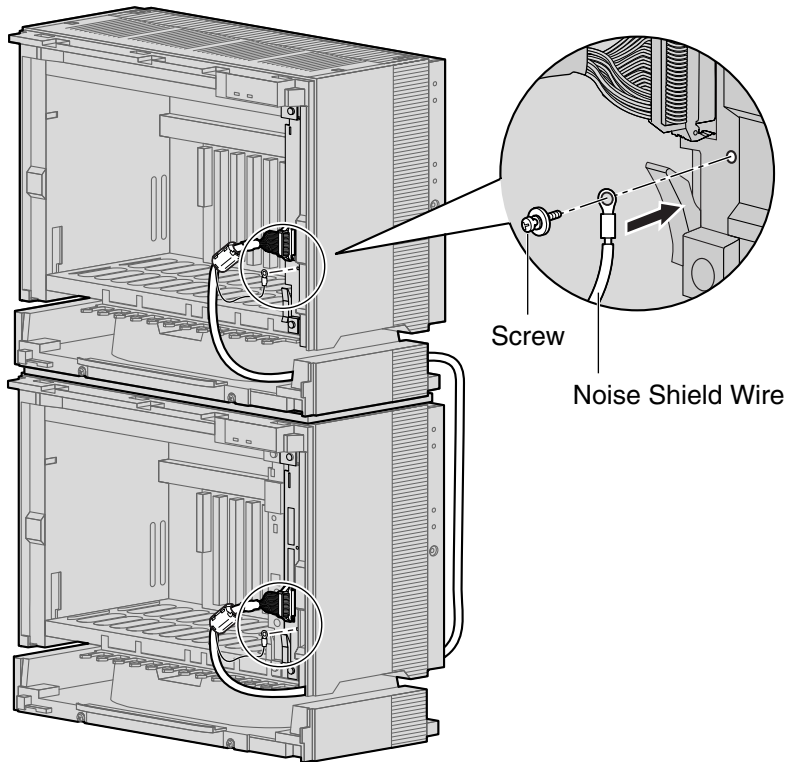
When plugging or unplugging the Bus Cable, make sure that the DC power supply is turned off.



5. Attach the noise shield wires of the Bus Cable to the Basic Shelf and Expansion Shelf 1 with the screws of the BUS-M card.

Note

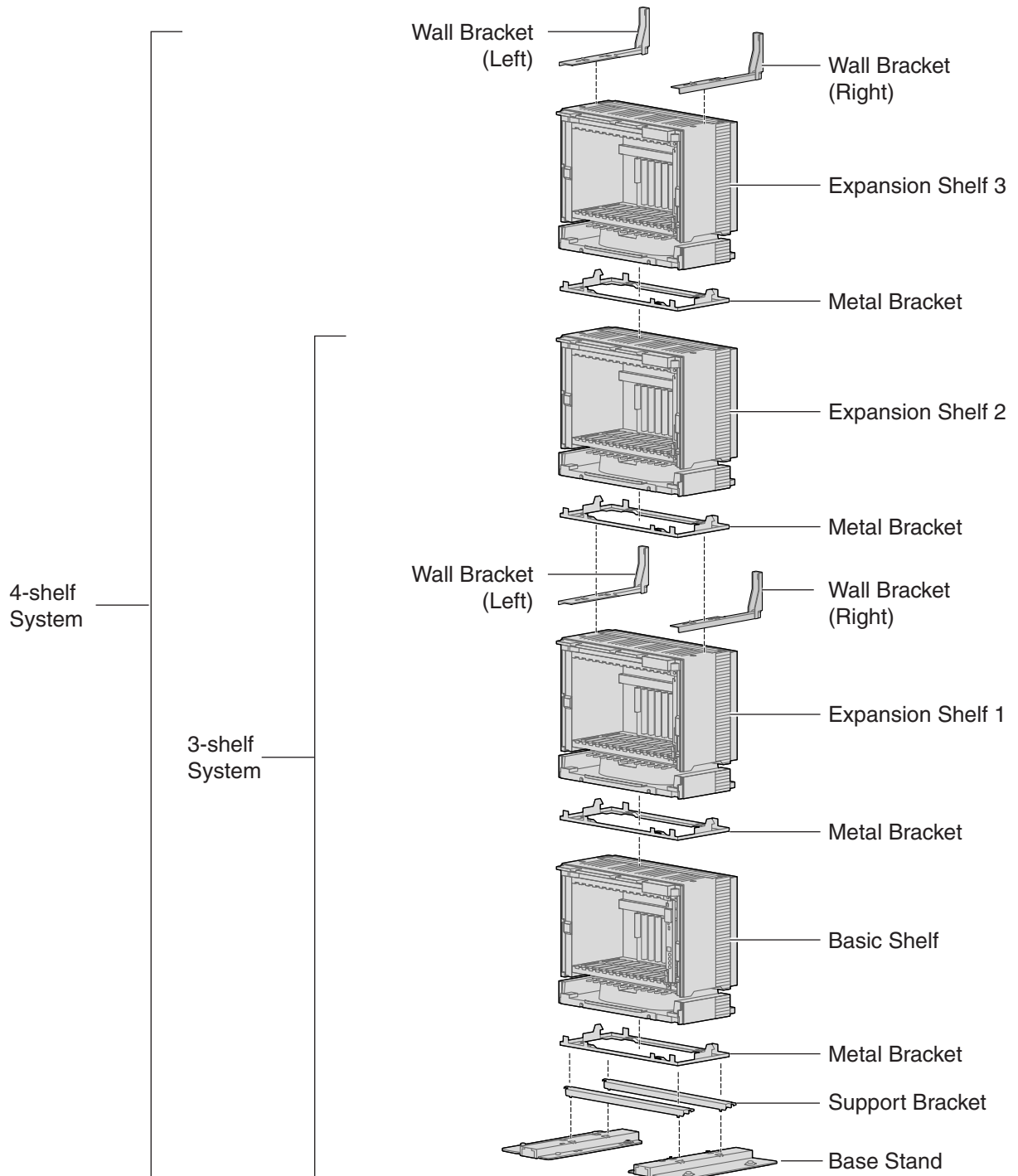
When attaching or removing the noise shield wires, make sure that the DC power supply is turned off.



2.2.6 Installation of 3- or 4-shelf System (Tower Type)

The PBX can be expanded to a 3- or 4-shelf system by mounting Expansion Shelves on the Basic Shelf. For a 3- or 4-shelf system, you need a Mounting Kit, which supplies you with the base stands and wall brackets.

Construction of 3- or 4-shelf System (Tower Type)



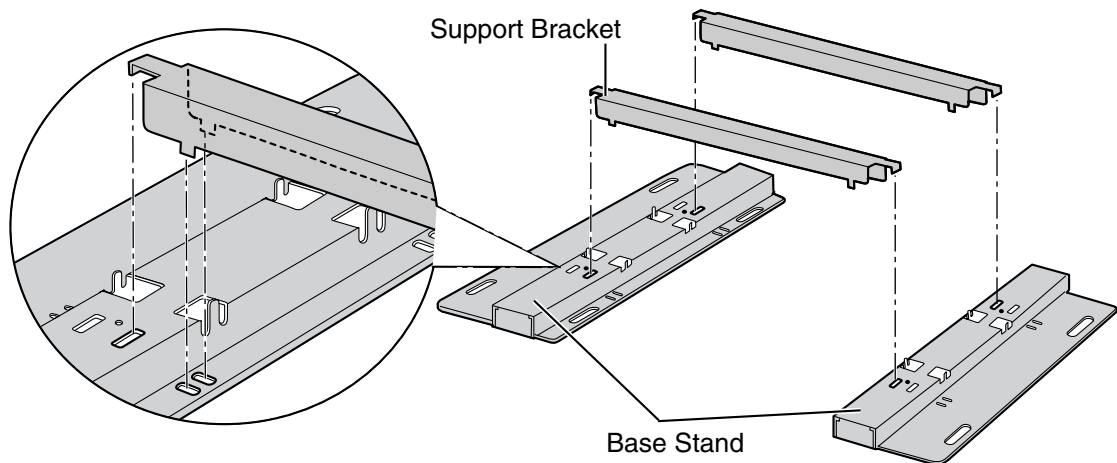
Notes

- Make sure to remove the front cover from each shelf before installing the shelves (refer to "2.2.3 Opening/Closing the Front Cover").
- Do not install any optional service cards or a PSU in the shelves before installation.
- Do not block the openings of the shelf. Allow space of at least 10 cm at the sides of the shelf, and 20 cm above the top-mounted shelf.
- Make sure that the surface behind the shelf is flat and free of obstacles, so that the openings on the back of the shelf will not be blocked.
- Make sure that the surface behind the shelf is not made of wood.
- Be careful not to drop the shelf.

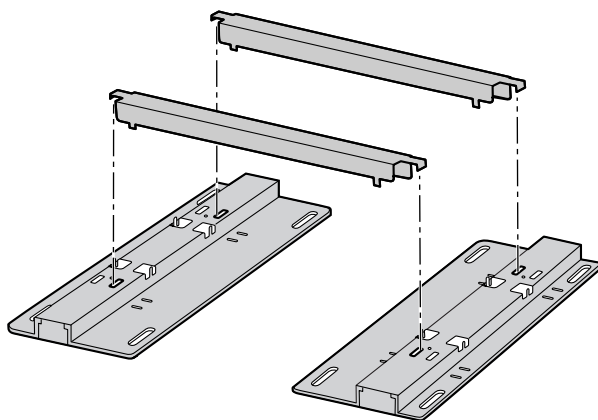
Installing the Basic Shelf

To install the Basic Shelf, attach the metal bracket (supplied with the Basic Shelf) to the base stands (supplied with the Mounting Kit) first. Then, install the base stands on the floor and fix the Basic Shelf to them.

1. Attach the support brackets to the base stands.

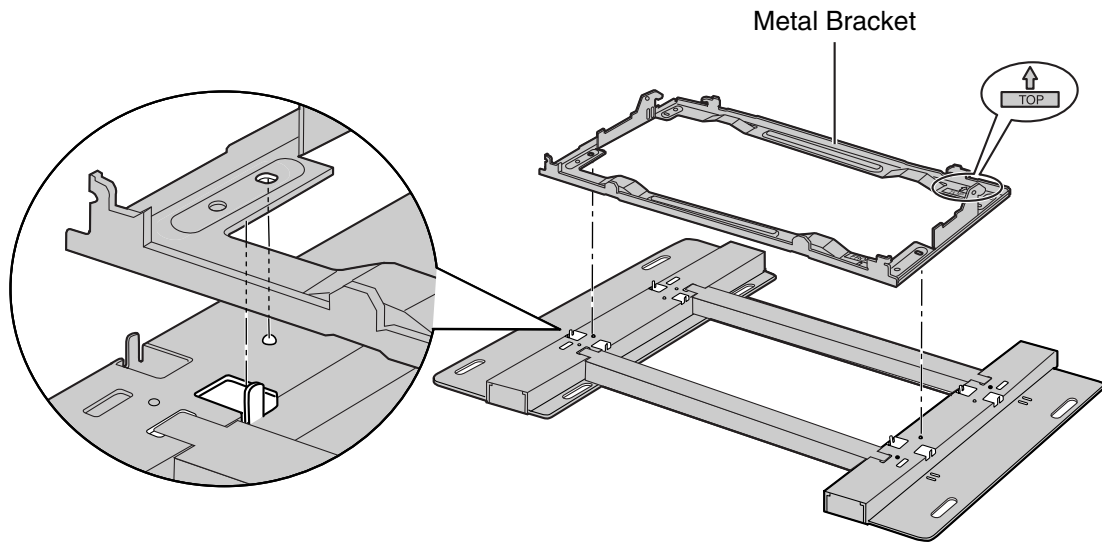
**Note**

If necessary, it is possible to reverse the direction of the base stands as shown below:

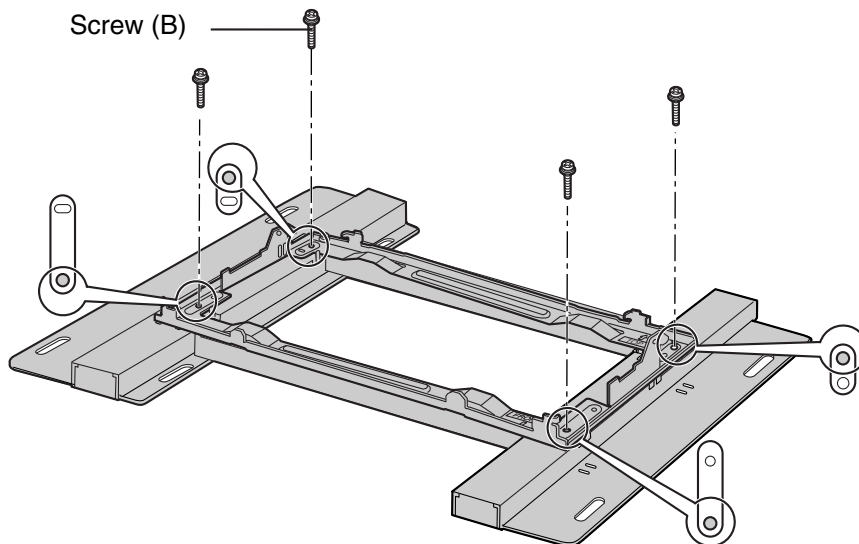


2.2 Installation of the PBX

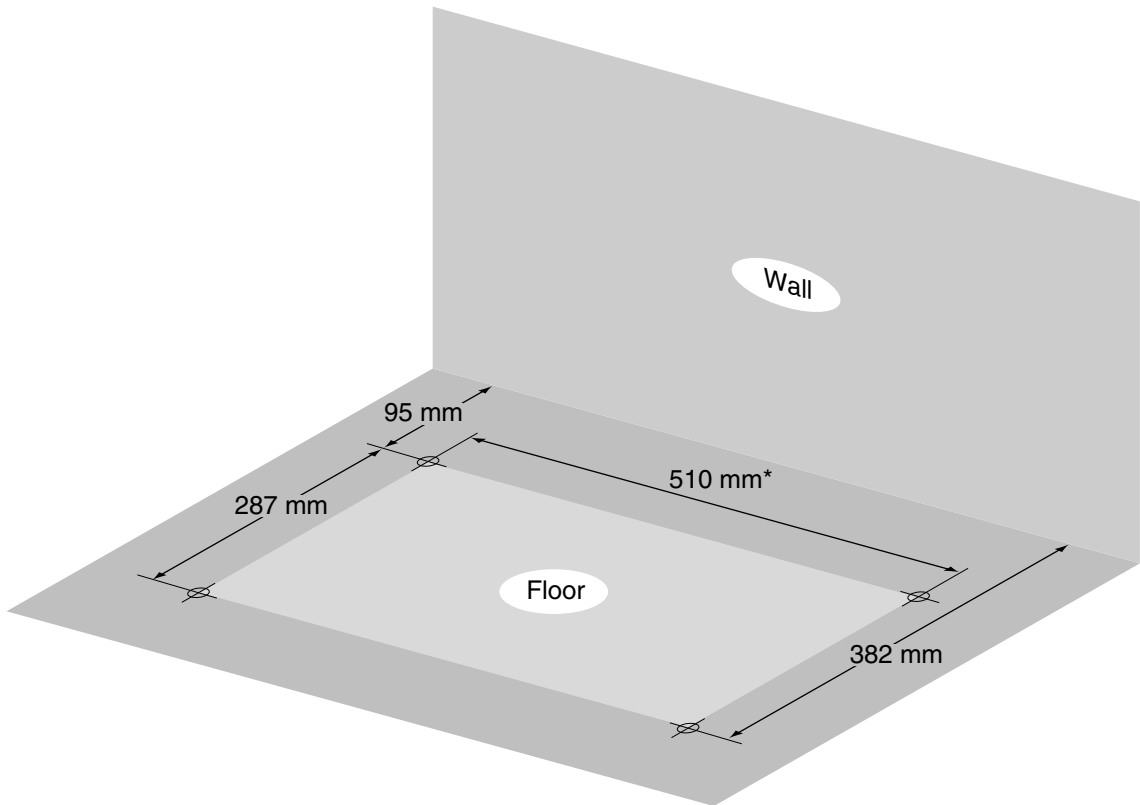
2. Place the metal bracket on the base stands.



3. Attach the metal bracket to the base stands with 4 screws (B).



4. Make 4 holes for anchor plugs on the floor, using the measurements indicated here.

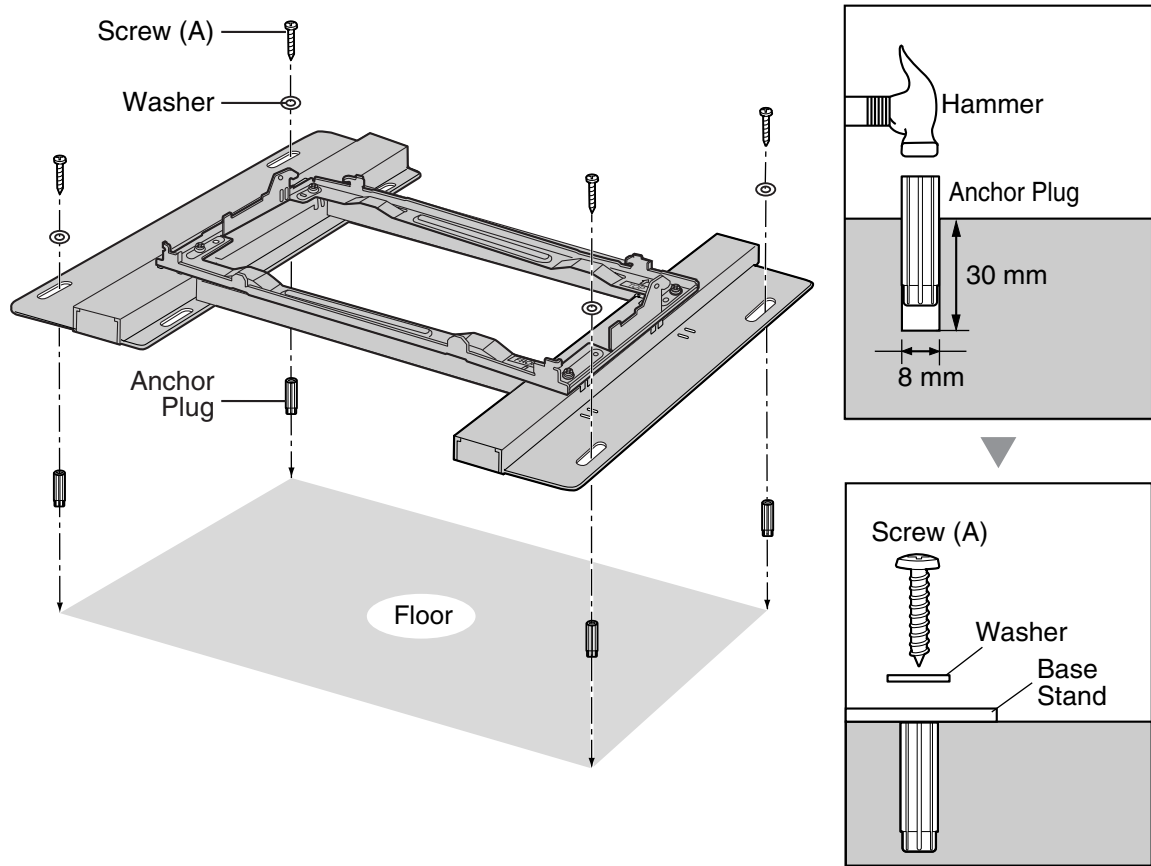


- * If the direction of the base stands is reversed, the measurement must be 443.4 mm

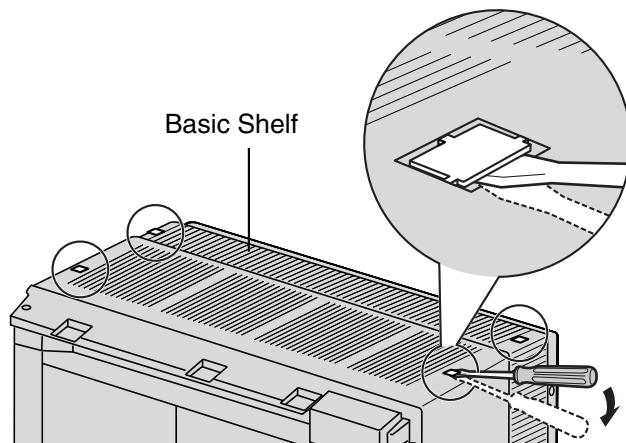
2.2 Installation of the PBX

5. Install 4 anchor plugs in the holes on the floor.

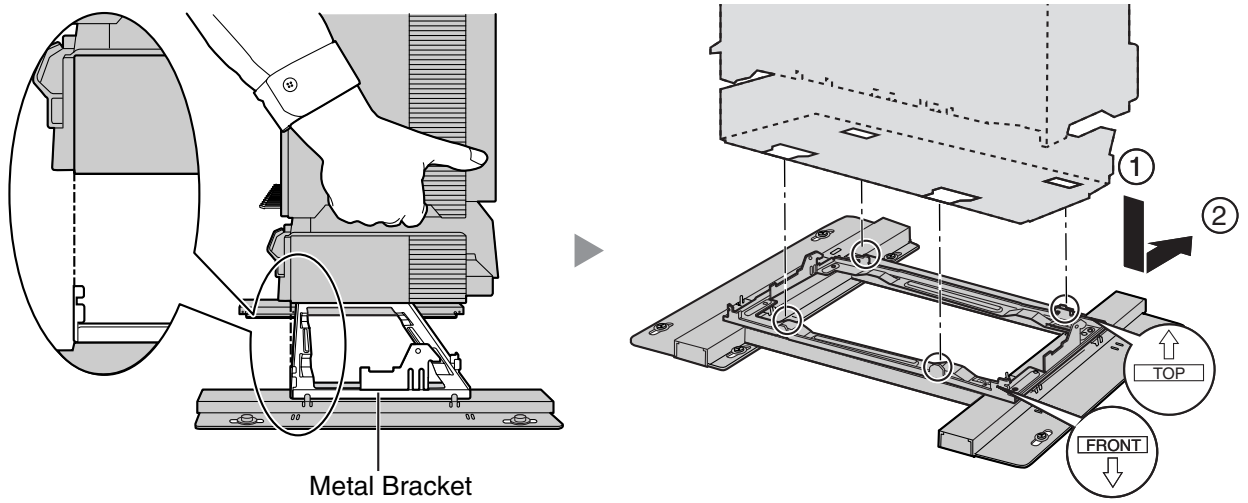
Then, fasten the base stands to the floor loosely with 4 screws (A). (This makes it easy to adjust the position of the shelves later.)



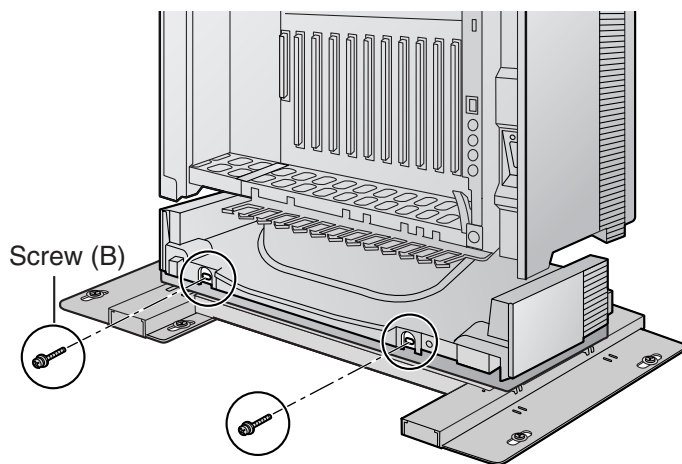
6. Remove the 4 tabs on the top cover of the Basic Shelf, by using a flathead screwdriver, as shown below.



- Lift the Basic Shelf, attach it to the metal bracket, and slide it backwards until it locks.



- Secure the Basic Shelf to the metal bracket with 2 screws (B).

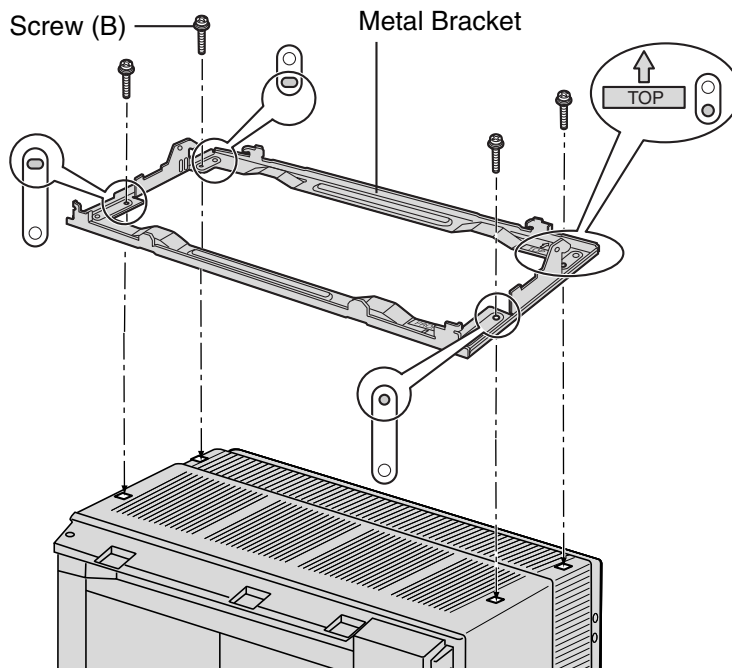


Mounting Expansion Shelves 1 and 2

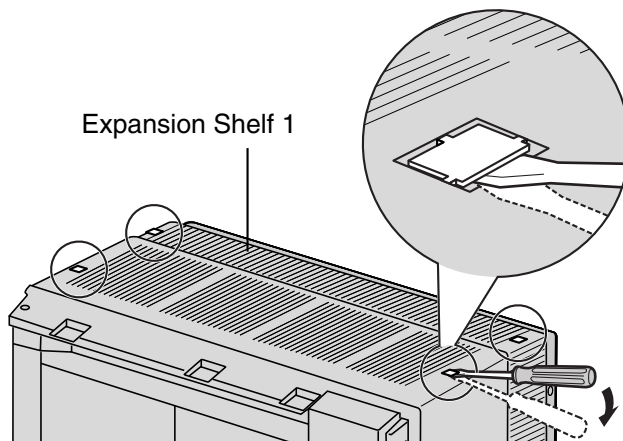
For the 3- or 4-shelf system, attach the metal bracket (supplied with the Expansion Shelf) to the Basic Shelf first. After mounting Expansion Shelf 1 on the Basic Shelf, fix Expansion Shelf 1 to the wall. Then, mount Expansion Shelf 2 on Expansion Shelf 1.

Expansion Shelf 1

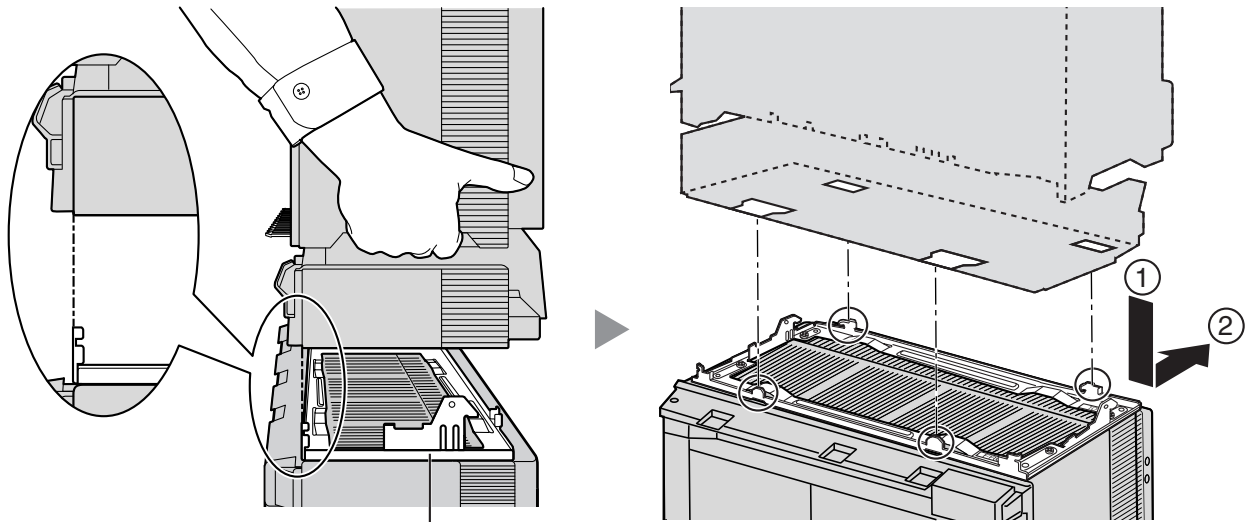
1. Fix the metal bracket to the Basic Shelf with 4 screws (B).



2. Remove the 4 tabs on the top cover of Expansion Shelf 1, by using a flathead screwdriver, as shown below.

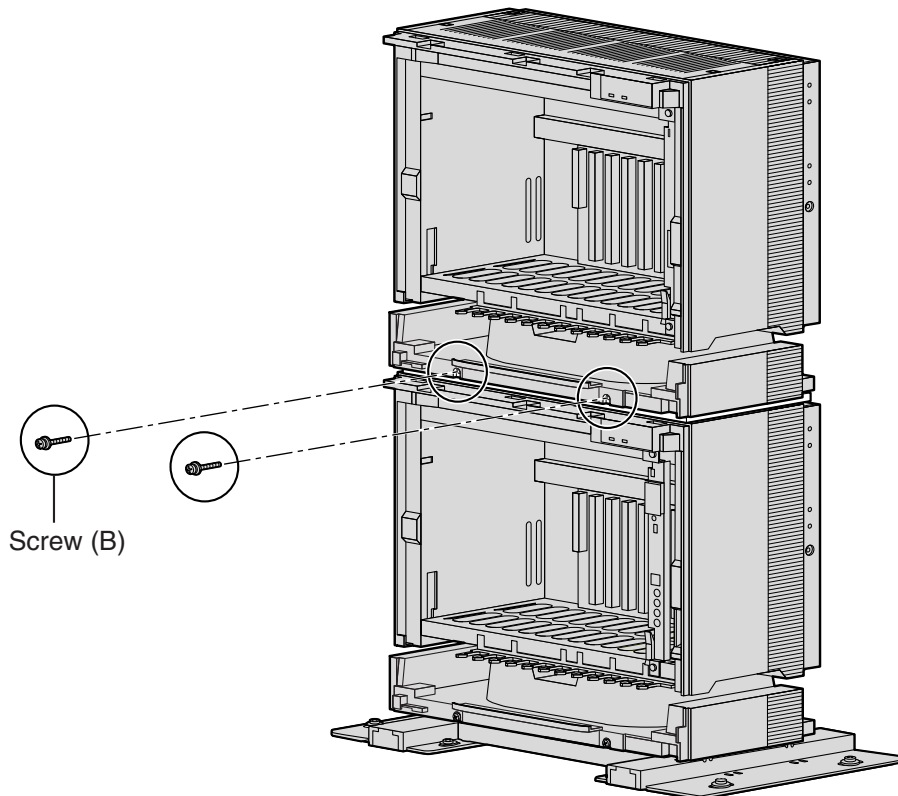


3. Lift Expansion Shelf 1, attach it to the metal bracket on the Basic Shelf, and slide it backwards until it locks.



Metal Bracket

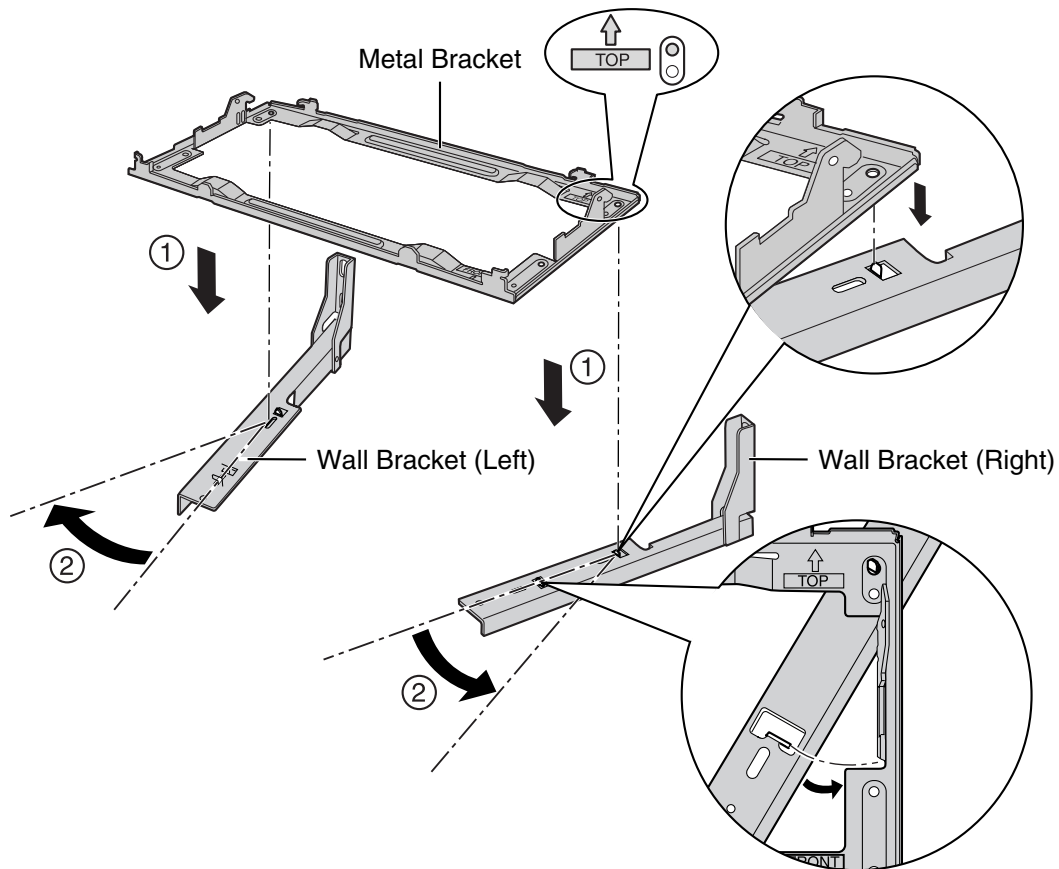
4. Secure Expansion Shelf 1 to the metal bracket with 2 screws (B).



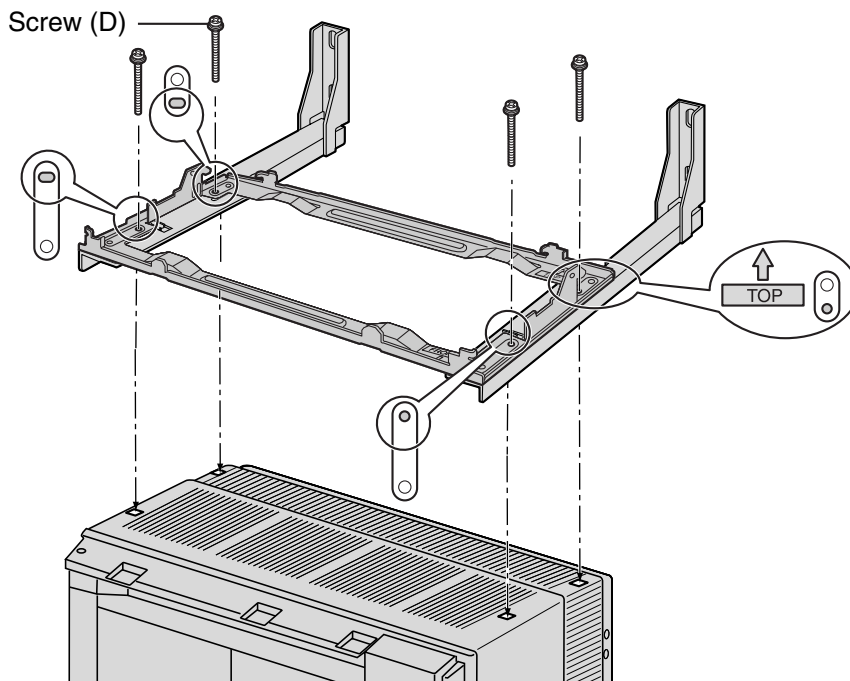
Screw (B)

Fixing to the Wall

1. Attach the metal bracket to the wall brackets.



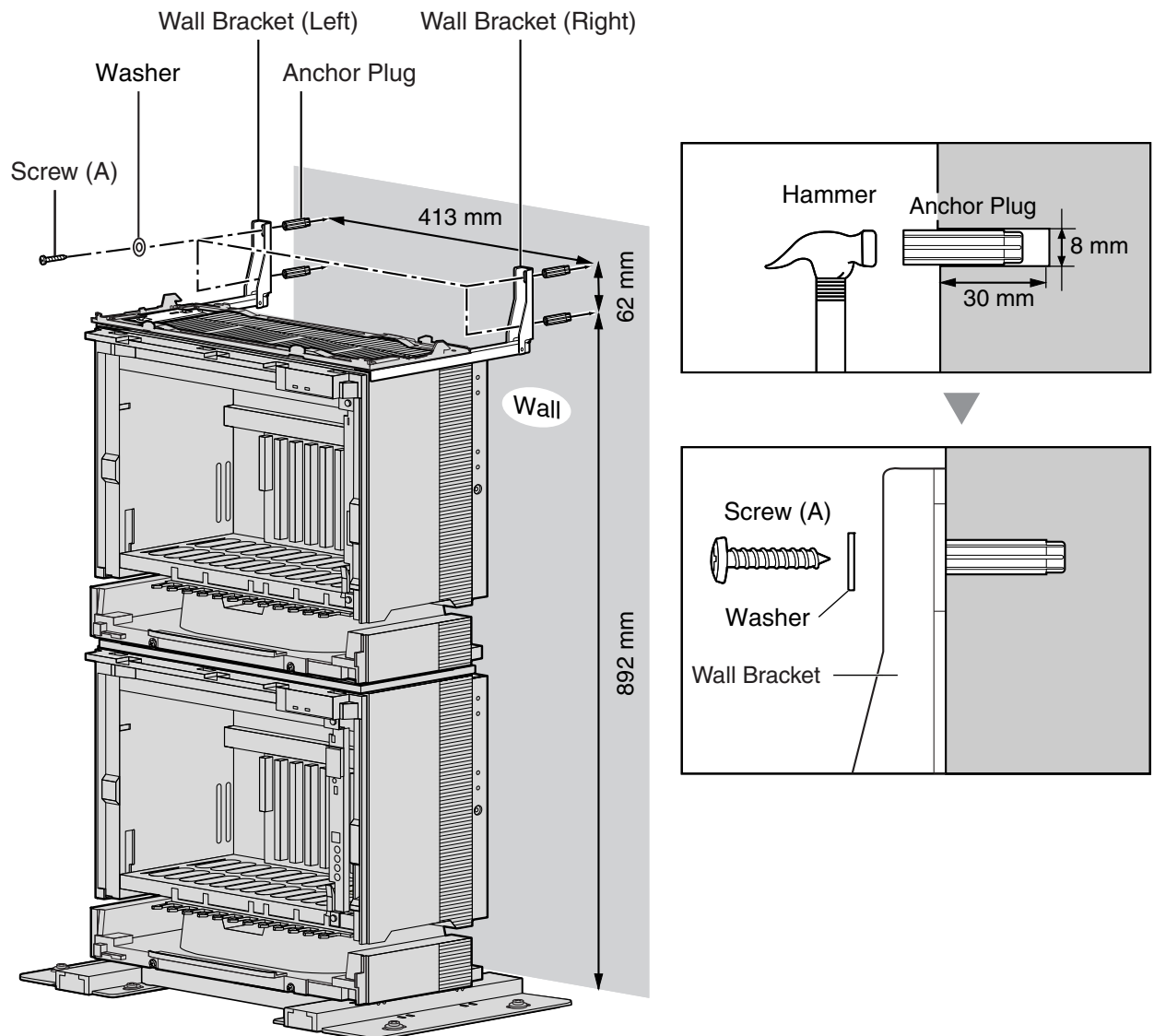
2. Fix the metal bracket to Expansion Shelf 1 with 4 screws (D).



3. Install 4 anchor plugs in the wall, using the wall brackets as a template. Fix the wall brackets to the wall with 4 screws (A).

CAUTION

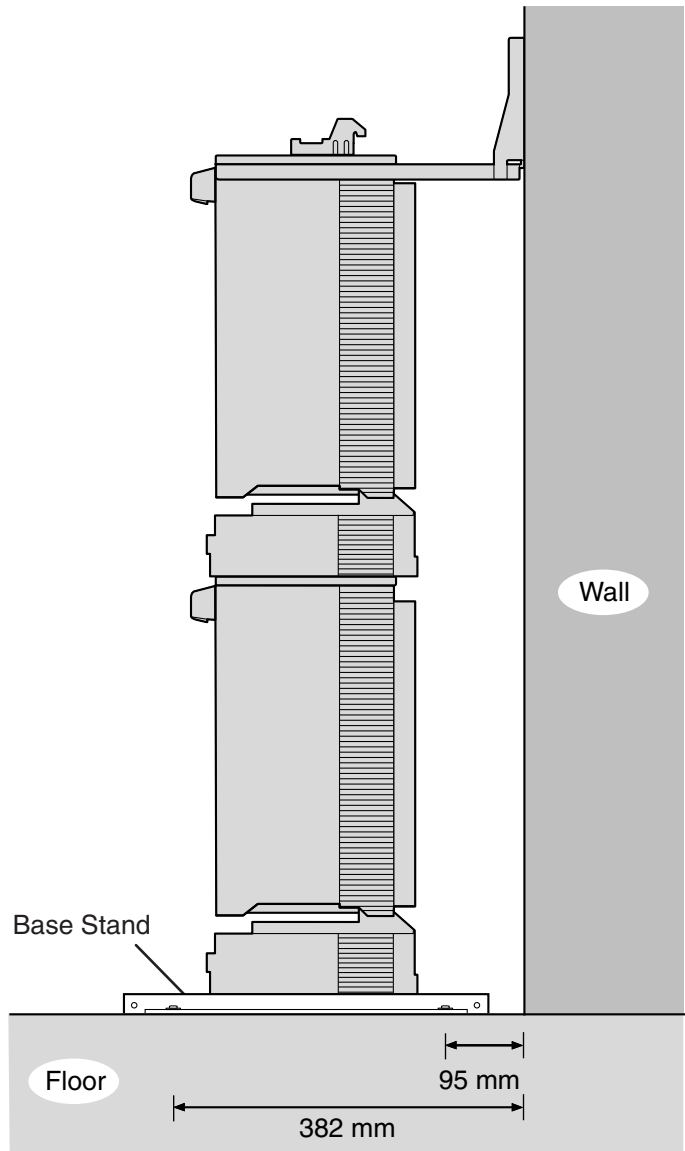
- Drive mounting screws into the wall. Be careful to avoid touching any metal laths, wire laths or metal plates in the wall.
- When installing anchor plugs in the wall, be careful not to damage or dirty the shelves.



2.2 Installation of the PBX

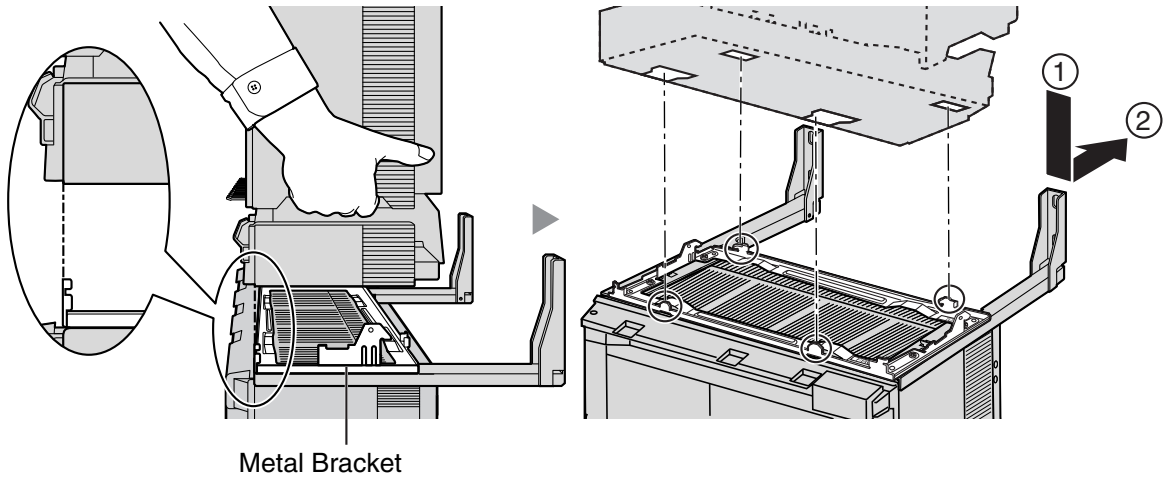
4. Check that the shelves are standing exactly vertically. If the shelves are leaning slightly to one side, move the base stands to adjust the position. (Since the base stands are attached loosely to the floor, it should be possible to adjust the position of the shelves.)

Then, tighten the screws connecting the base stands to the floor.

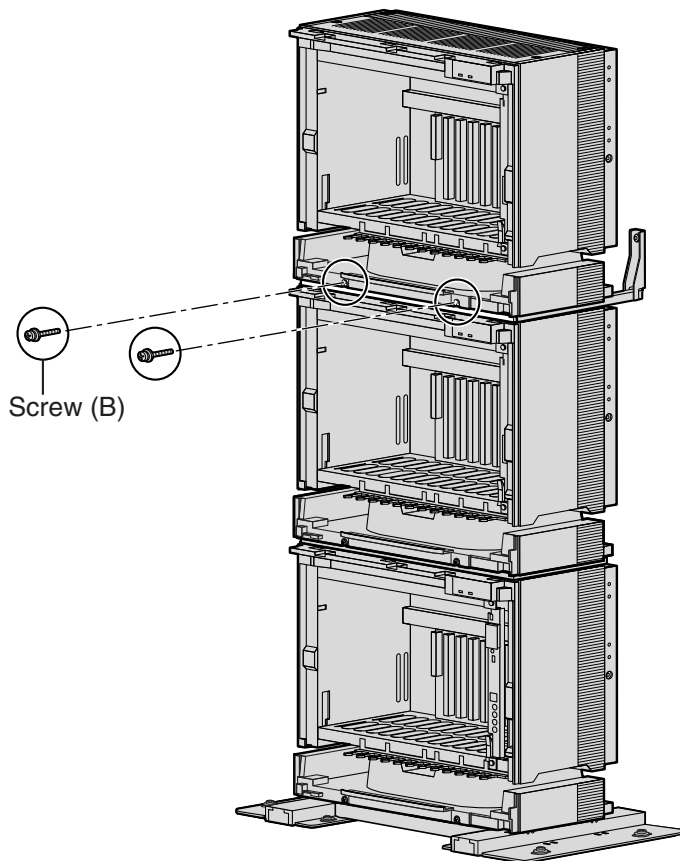


Expansion Shelf 2

1. Lift Expansion Shelf 2, attach it to the metal bracket fixed on Expansion Shelf 1, and slide it backwards until it locks.



2. Secure Expansion Shelf to the metal bracket 2 with 2 screws (B).



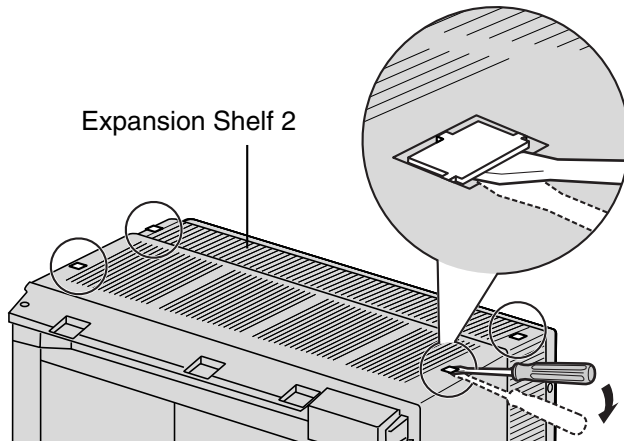
Installation of a 3-shelf system is complete. Next, it is necessary to connect the shelves.
If you are installing a 4-shelf system, follow the procedure below before connecting the shelves.

Mounting Expansion Shelf 3

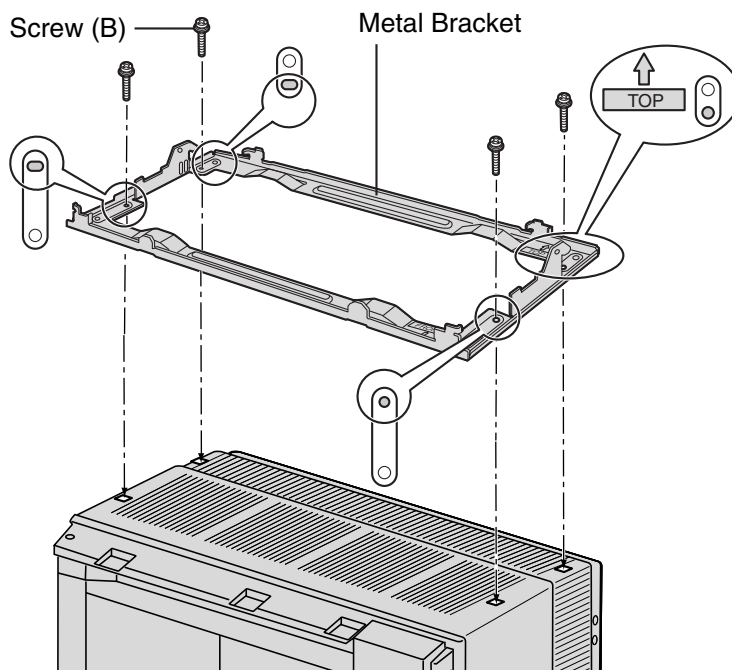
For the 4-shelf system, attach the metal bracket (supplied with Expansion Shelf 3) to Expansion Shelf 2 first. Then, attach the wall brackets (supplied with the Mounting Kit) to Expansion Shelf 3. After mounting Expansion Shelf 3 on Expansion Shelf 2, fix Expansion Shelf 3 to the wall.

Expansion Shelf 3

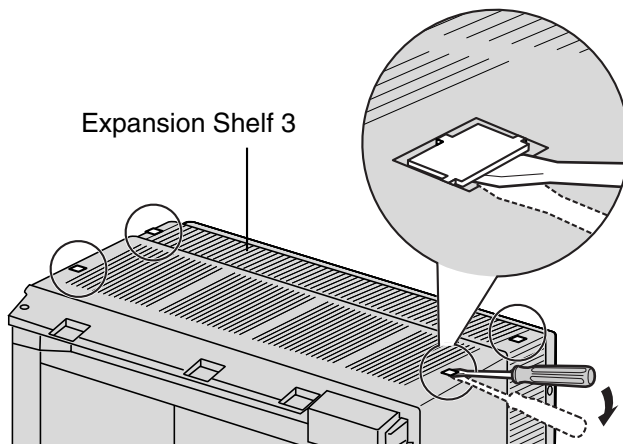
1. Remove the 4 tabs on the top cover of Expansion Shelf 2, by using a flathead screwdriver, as shown below.



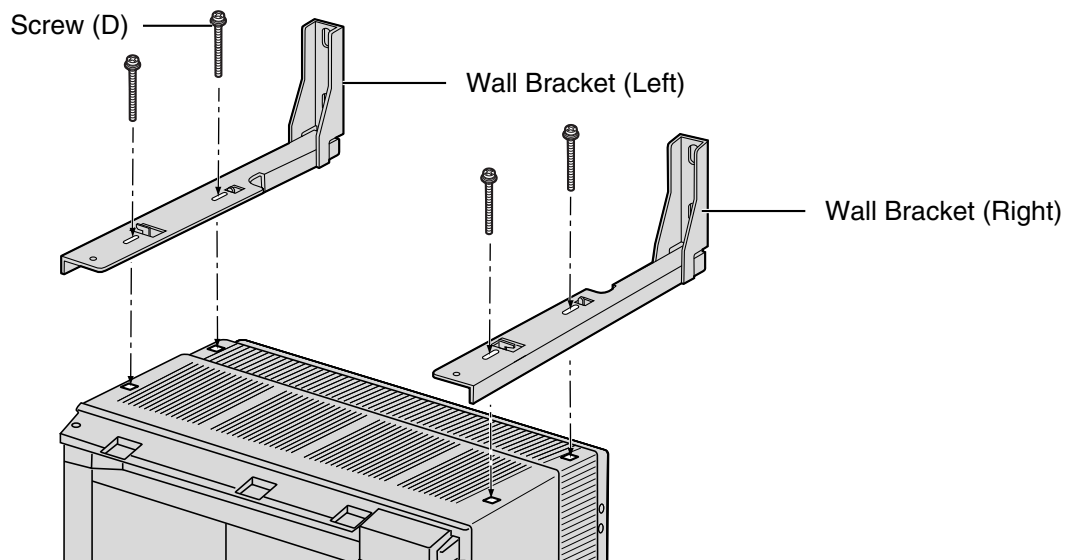
2. Fix the metal bracket to Expansion Shelf 2 with 4 screws (B).



3. Remove the 4 tabs on the top cover of Expansion Shelf 3, by using a flathead screwdriver, as shown below.

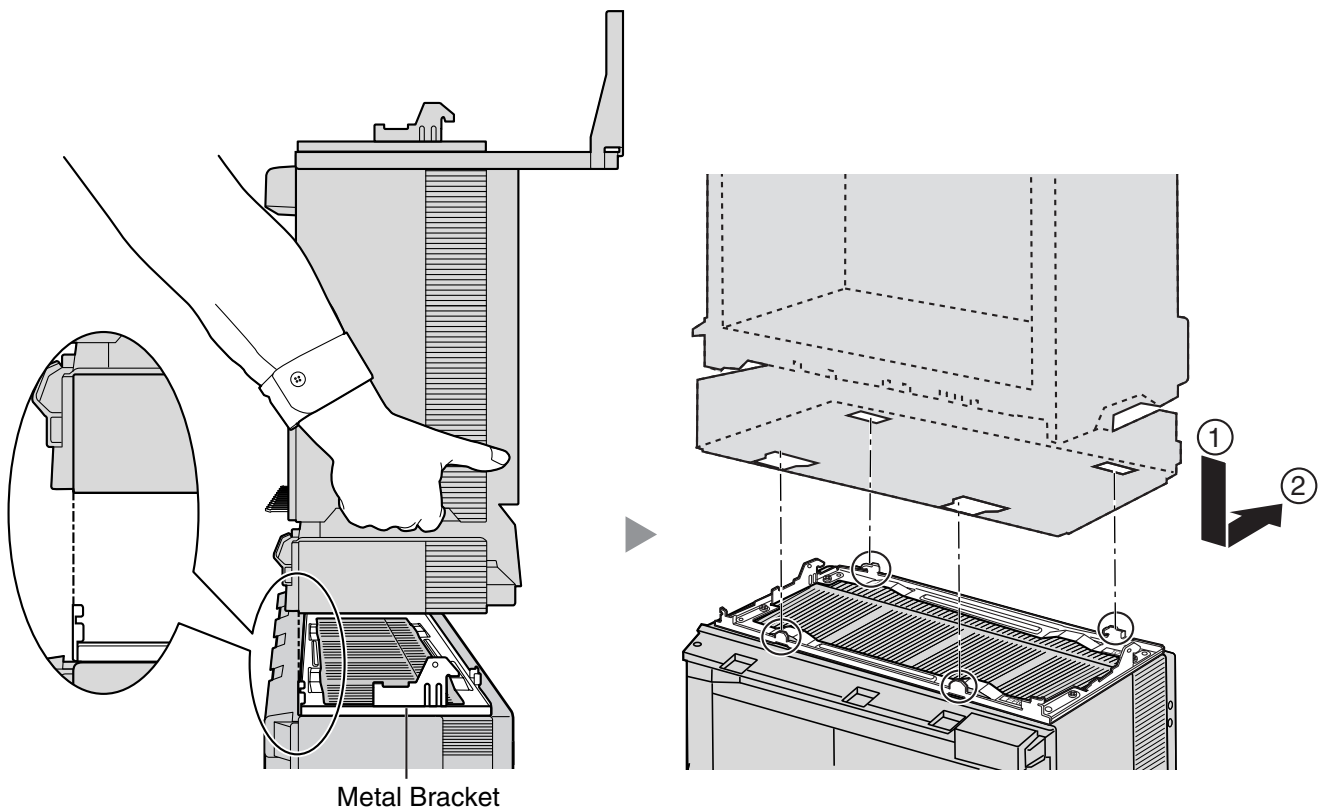


4. Fasten the wall brackets loosely to Expansion Shelf 3 with 4 screws (D). (This makes it easy to adjust the position of the shelves later.)

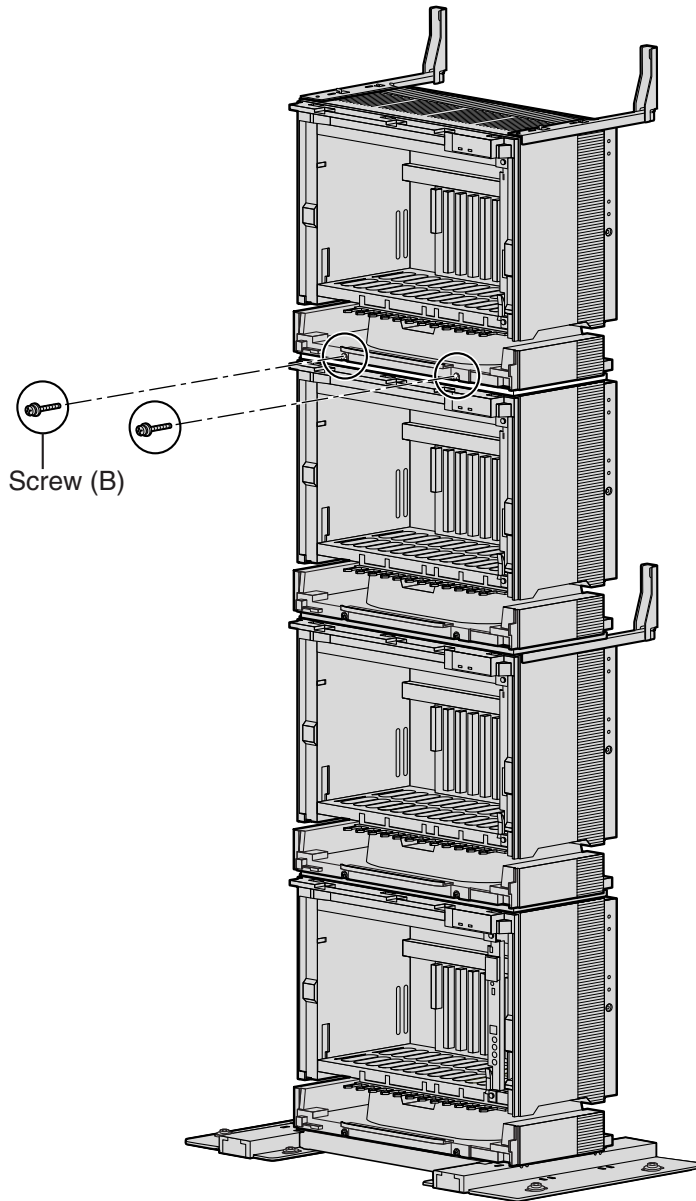


2.2 Installation of the PBX

5. Lift Expansion Shelf 3, attach it to the metal bracket fixed on Expansion Shelf 2, and slide it backwards until it locks.



- Secure Expansion Shelf 3 to the metal bracket with 2 screws (B).

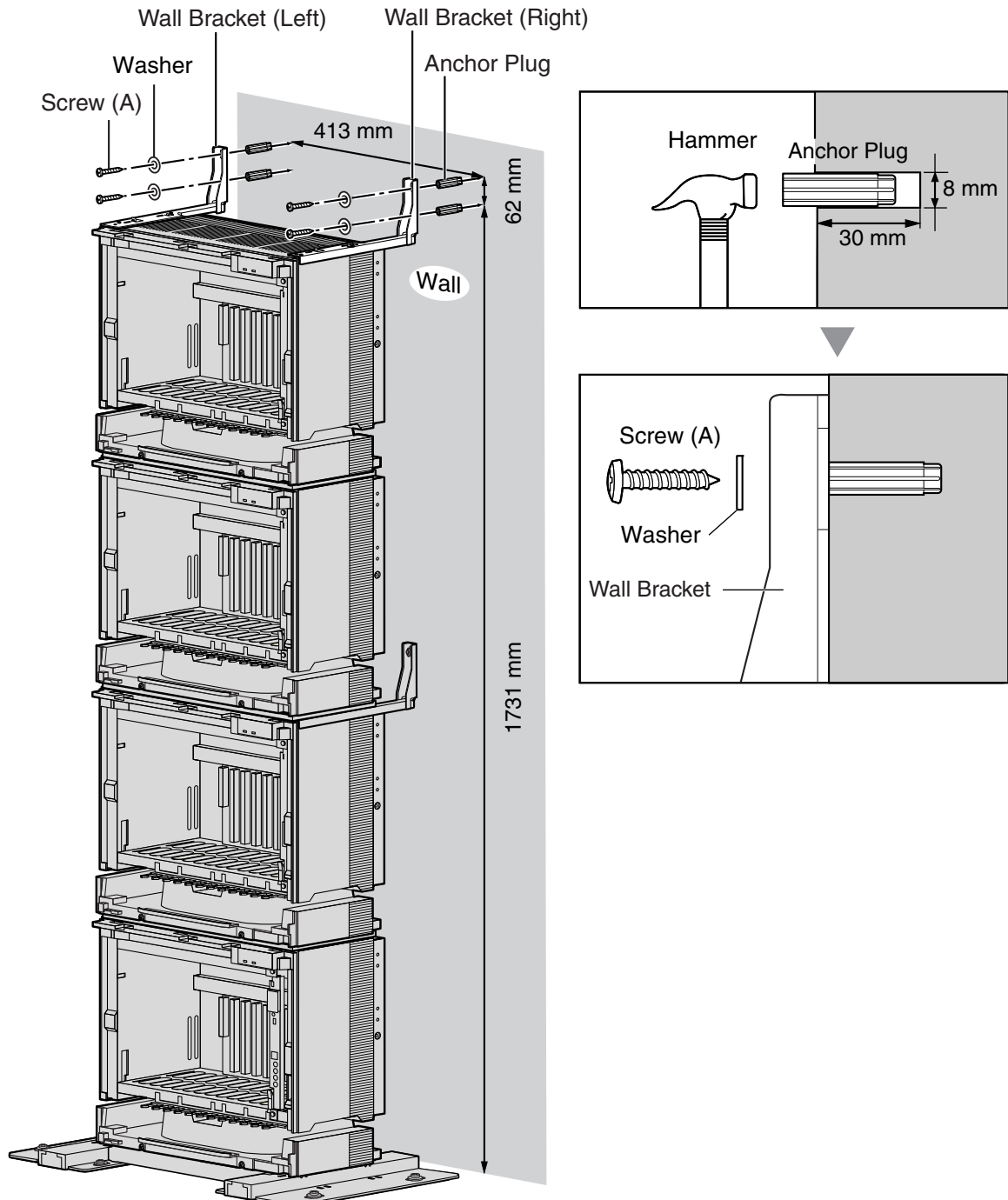


Fixing to the Wall

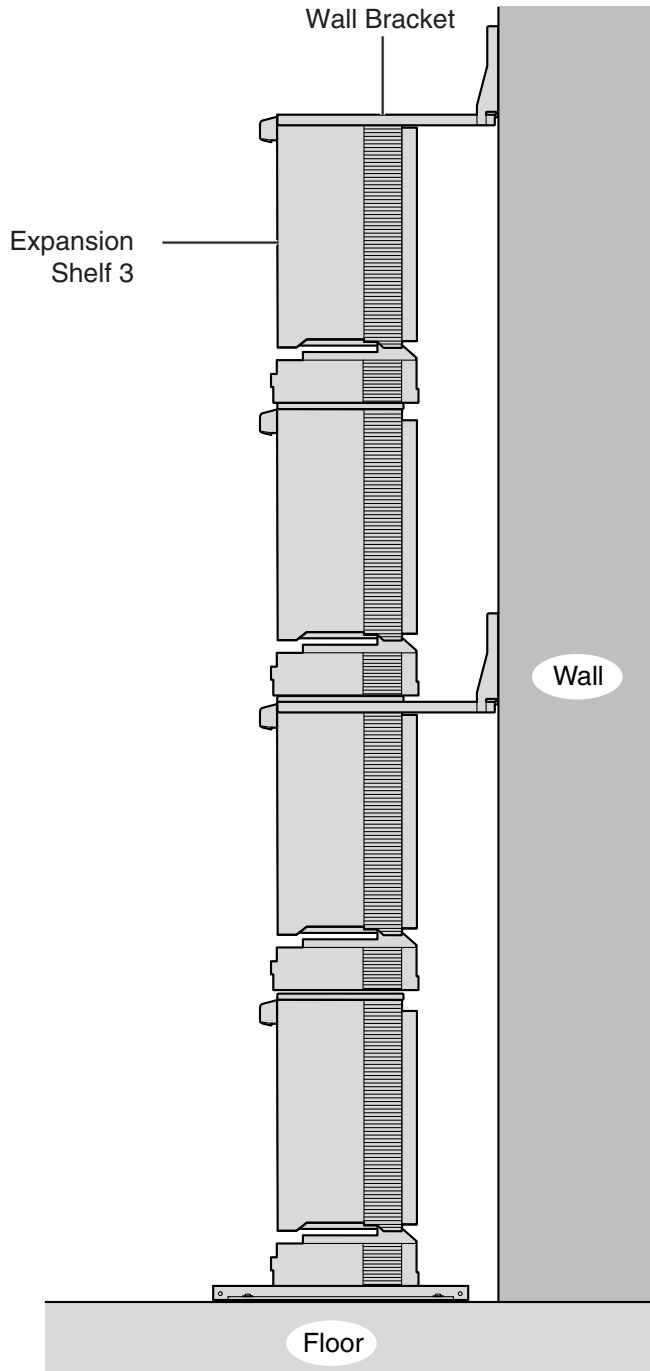
1. Install 4 anchor plugs in the wall, using the wall brackets as a template. Fix the wall brackets to the wall with 4 screws (A).

CAUTION

- Drive mounting screws into the wall. Be careful to avoid touching any metal laths, wire laths or metal plates in the wall.
- When installing anchor plugs in the wall, be careful not to damage or dirty the shelves.



2. Check that the shelves are standing exactly vertically. If the upper shelves are leaning slightly to one side, move Expansion Shelf 3 to adjust the position. (Since the wall brackets are attached loosely to Expansion Shelf 3, it should be possible to adjust the position of the shelves.)
Then, tighten the screws connecting the wall brackets to Expansion Shelf 3.



Shelf installation is complete. Next, it is necessary to connect the shelves.

Connecting Shelves

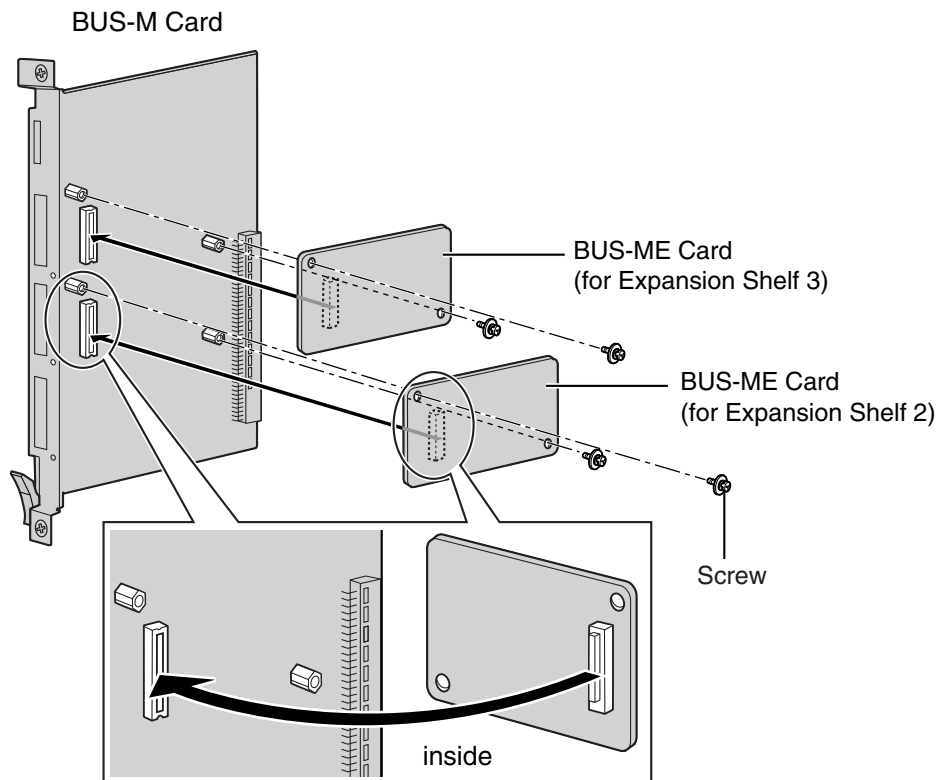
For a 3- or 4-shelf system, you need to install an optional BUS-M card and BUS-ME card(s) in the Basic Shelf. To connect the shelves, plug the Bus Cables (supplied with the BUS-M card or BUS-ME card) into the slots of the BUS-M card. Then, plug the other end of each Bus Cable into the BUS-S card built in to each Expansion Shelf.

For details about the cards, refer to "2.4.1 BUS-M Card (KX-TDA6110)", "2.4.2 BUS-ME Card (KX-TDA6111)", and "2.5.1 BUS-S Card".

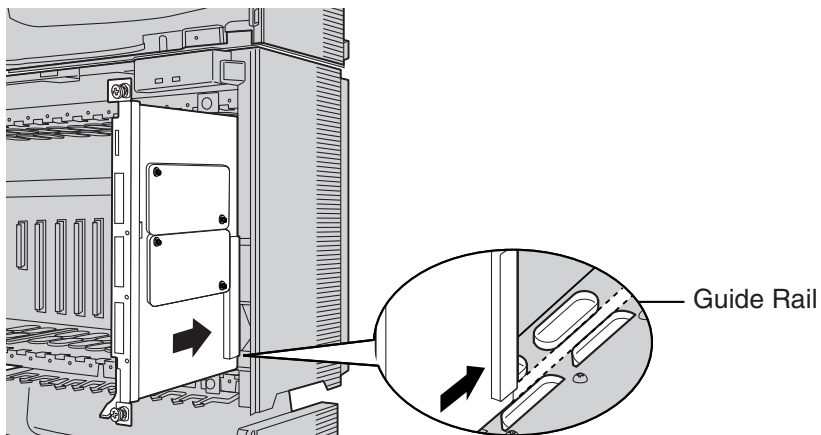
Note

When installing or removing the BUS-M card, make sure that the DC power supply is turned off.

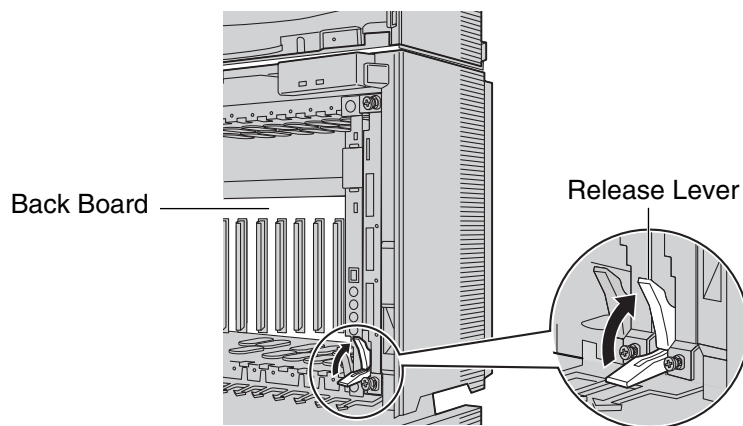
1. Mount 1 BUS-ME card (for a 3-shelf system), or 2 BUS-ME cards (for a 4-shelf system) on the BUS-M card as shown below.



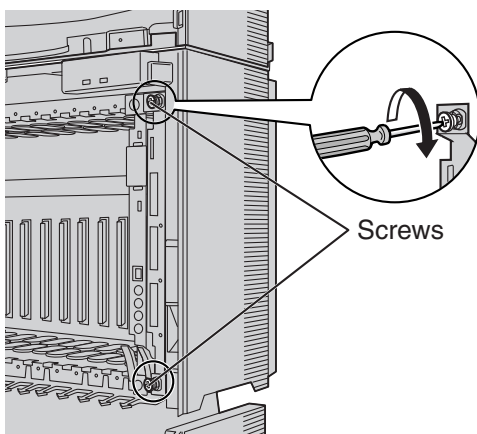
2. Insert the BUS-M card along the guide rails in the BUS-M Card Slot (the right-most slot) of the Basic Shelf.



3. Push the release lever in the direction of the arrow so that the BUS-M card engages securely with the connector on the back board.



4. Turn the 2 screws clockwise to fix the BUS-M card in place.

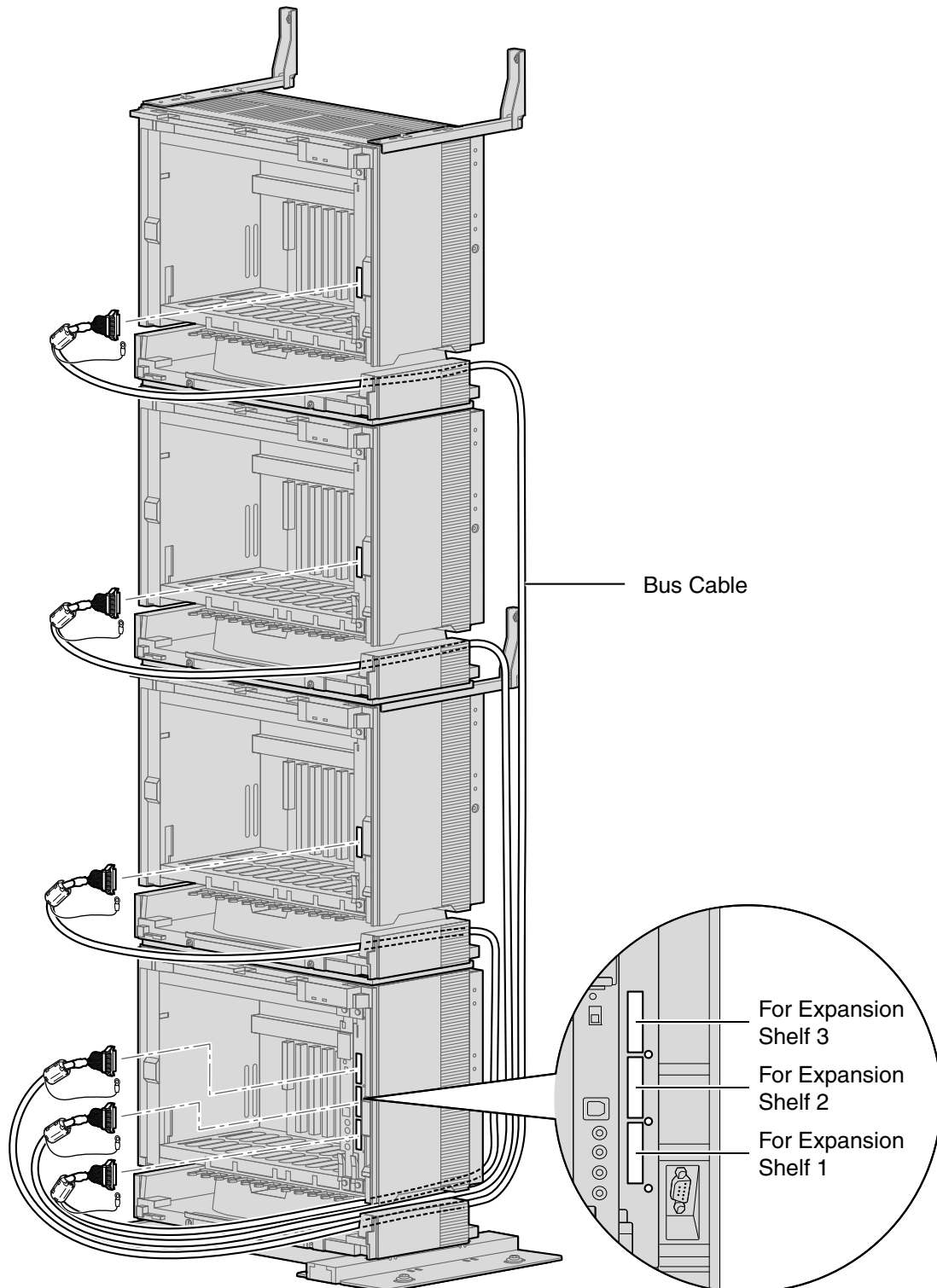


2.2 Installation of the PBX

5. Plug each Bus Cable into the corresponding port of the BUS-M card in the Basic Shelf. Then, plug the other end into the BUS-S card in each Expansion Shelf.

Note

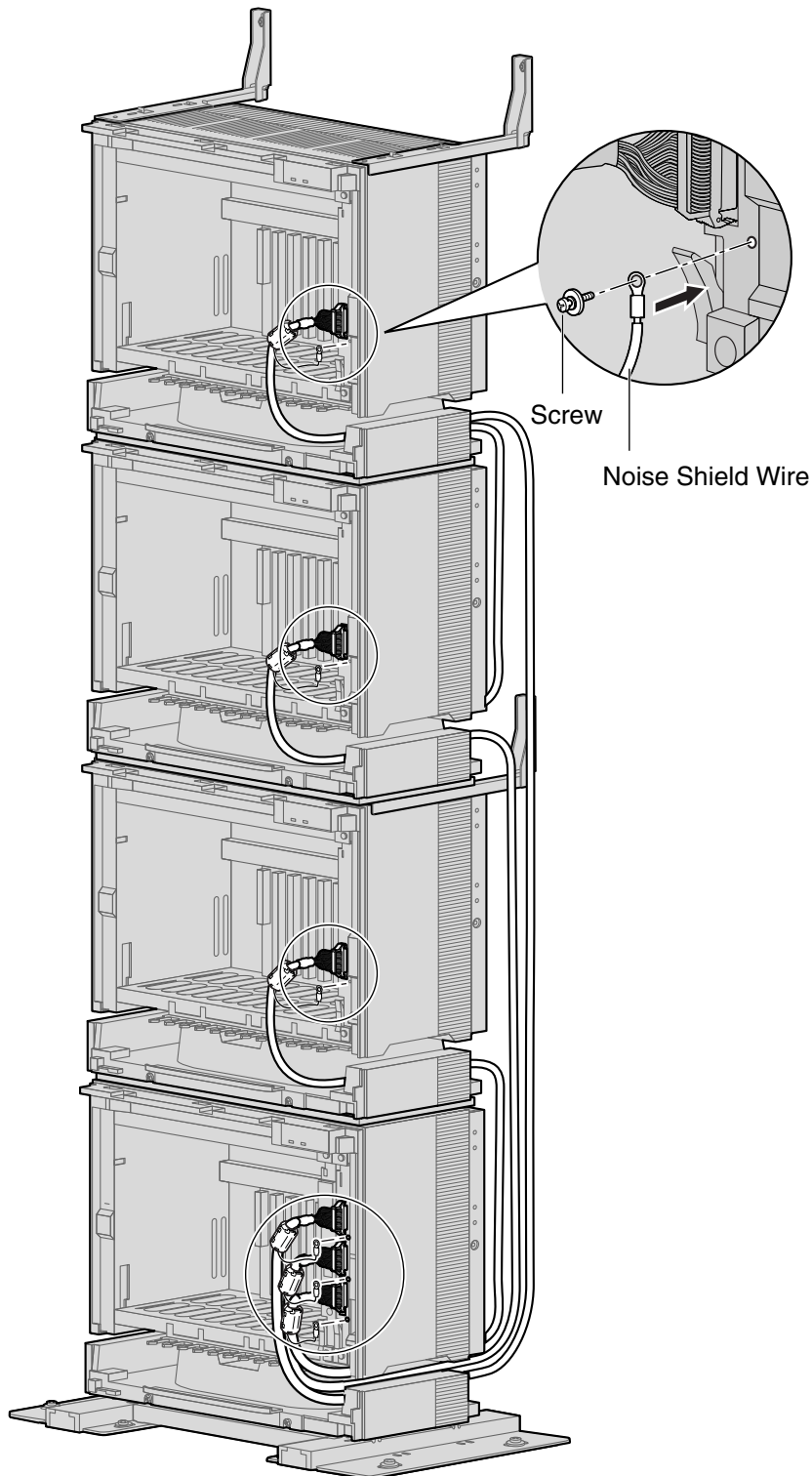
When plugging or unplugging the Bus Cables, make sure that the DC power supply is turned off.



6. Attach the noise shield wires of each Bus Cable to the Basic Shelf and each Expansion Shelf with the screws of the BUS-M card.

Note

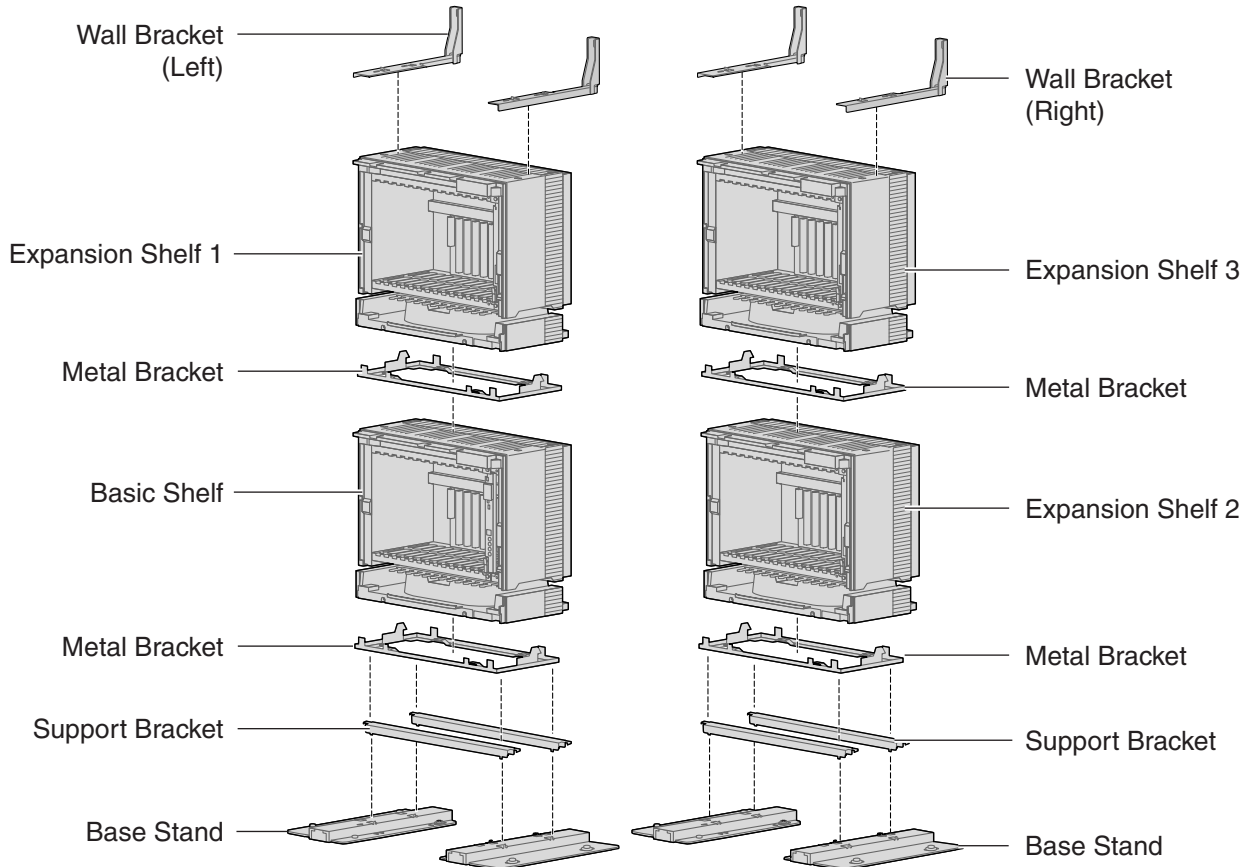
When attaching or removing the noise shield wires, make sure that the DC power supply is turned off.



2.2.7 Installation of 4-shelf System (Side-by-side Type)

When vertical space is limited, it is possible to install shelves side-by-side. Installing the system using base stands (supplied with an optional Mounting Kit) makes it easy to reinstall shelves in a different place.

Construction of 4-shelf System (Side-by-side Type)



Notes

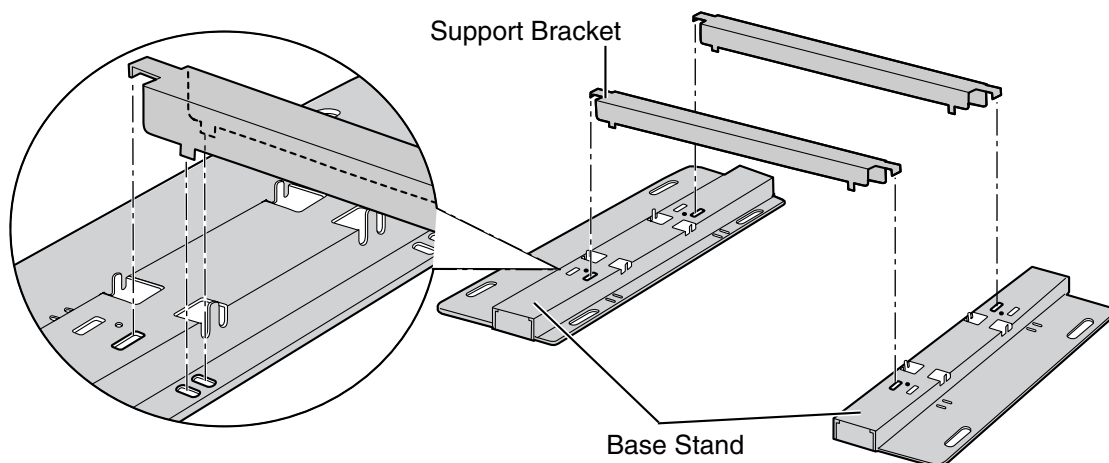
- Make sure to remove the front cover from each shelf before installing the shelves (refer to "2.2.3 Opening/Closing the Front Cover").
- Do not install any optional service cards or a PSU in the shelves before installation.
- Make sure to install the shelves where the Bus Cable (supplied with a BUS-M card or BUS-ME card) can reach the shelves.
- Do not block the openings of the shelf. Allow space of at least 10 cm at the sides of the shelf, and 20 cm above the top-mounted shelf.
- Make sure that the surface behind the shelf is flat and free of obstacles, so that the openings on the back of the shelf will not be blocked.
- Make sure that the surface behind the shelf is not made of wood.
- Be careful not to drop the shelf.

Installing the Basic Shelf and Expansion Shelf 1

To install the Basic Shelf, attach the metal bracket (supplied with the Basic Shelf) to the base stands (supplied with the optional Mounting Kit) first. Then, install the base stands on the floor and fix the Basic Shelf to it. To install Expansion Shelf 1, attach the metal bracket (supplied with Expansion Shelf 1) to the Basic Shelf. Then, mount Expansion Shelf 1 on the Basic Shelf.

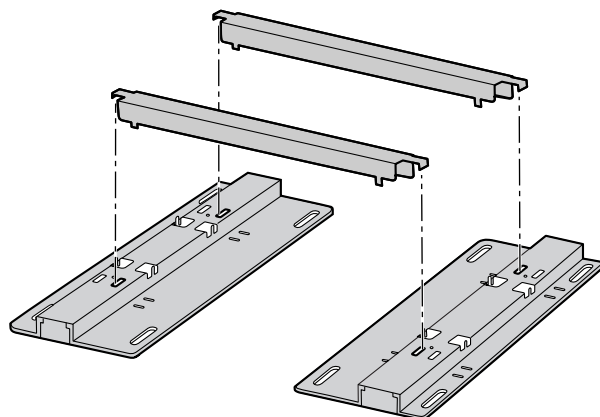
Basic Shelf

1. Attach the support brackets to the base stands.



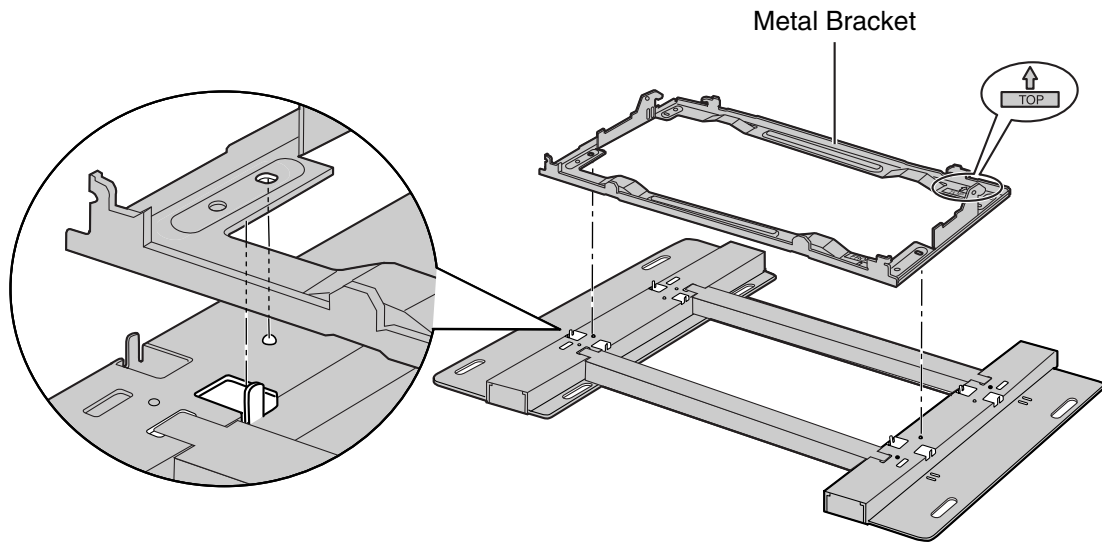
Note

If necessary, it is possible to reverse the direction of the base stands as shown below:

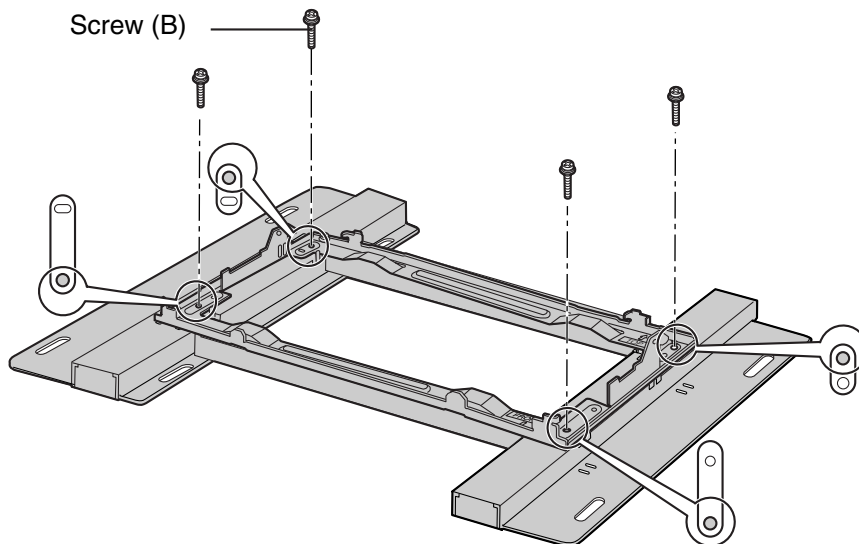


2.2 Installation of the PBX

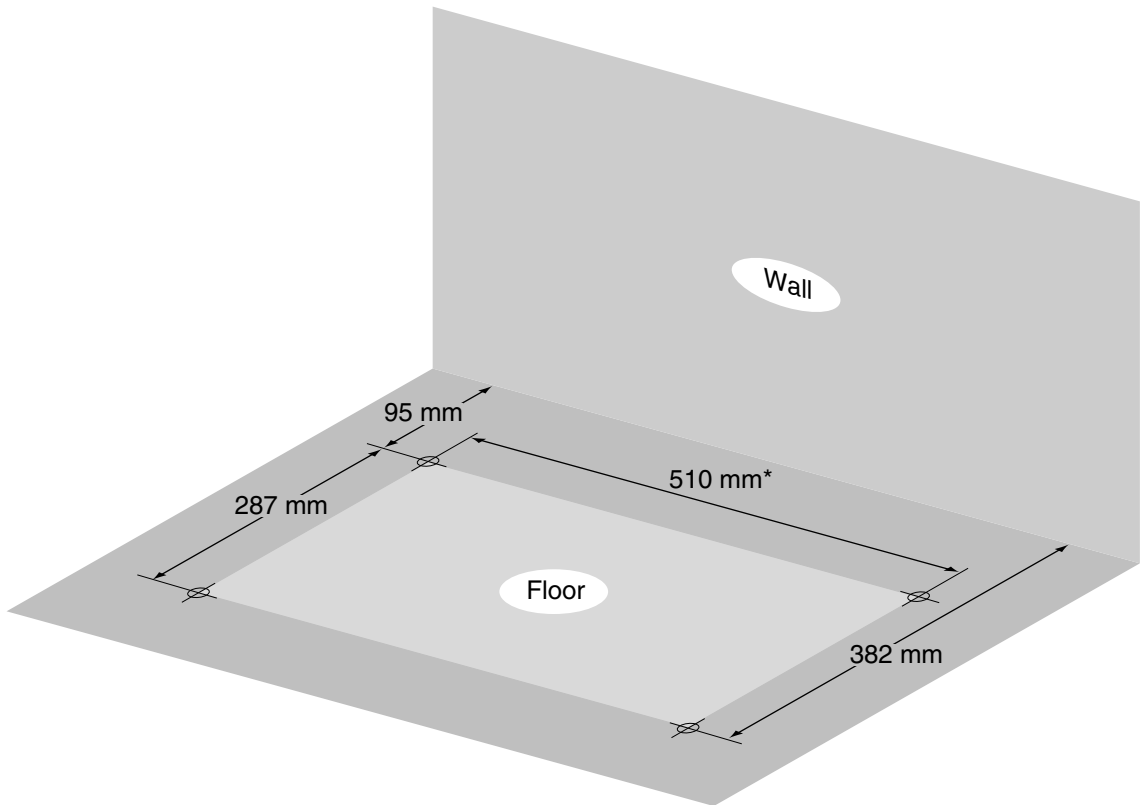
2. Place the metal bracket on the base stands.



3. Attach the metal bracket to the base stands with 4 screws (B).



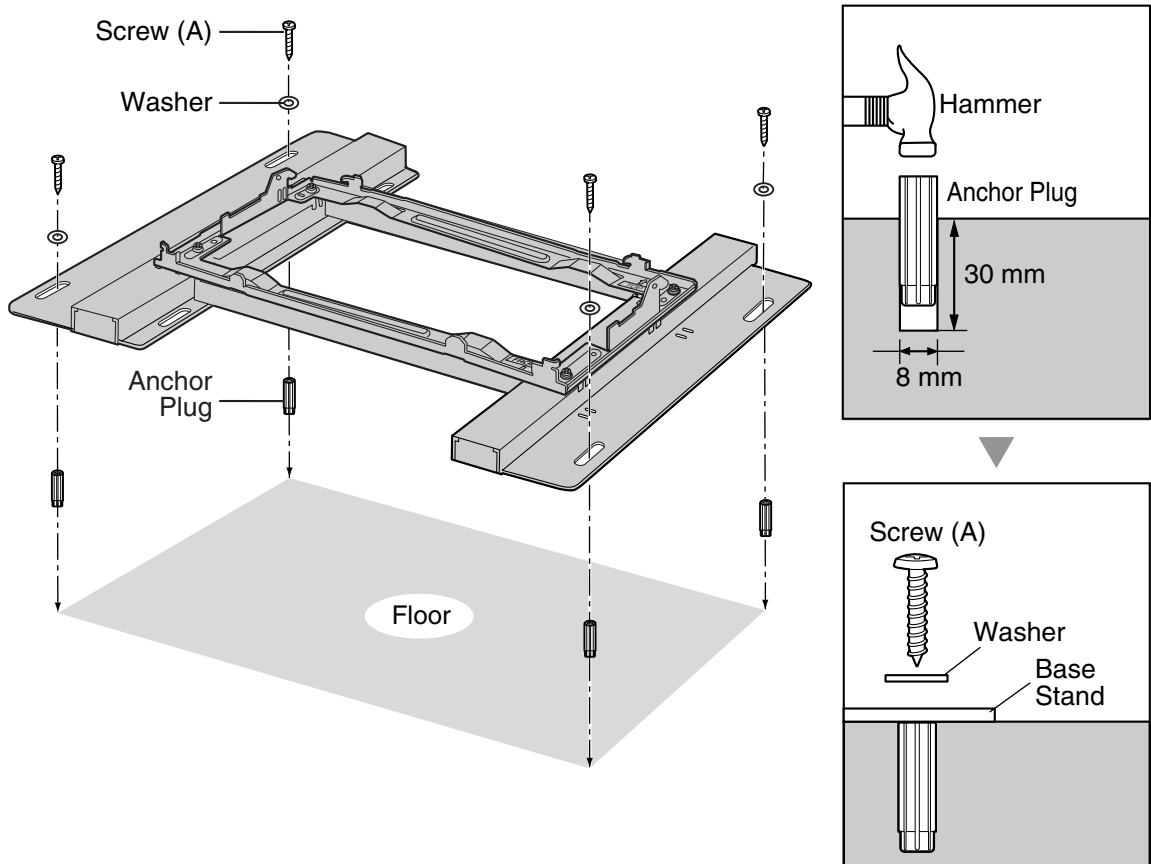
4. Make 4 holes for anchor plugs on the floor, using the measurements indicated here.



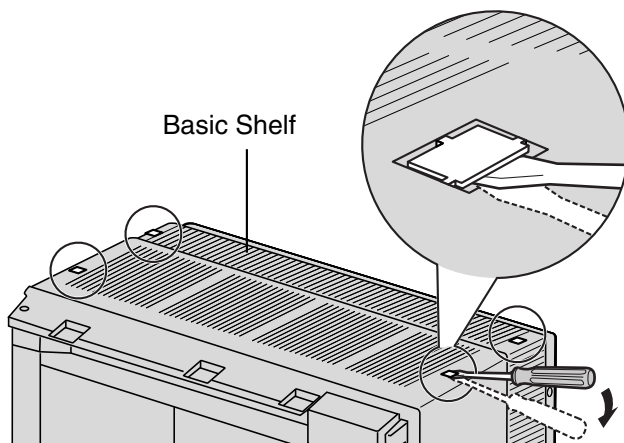
- * If the direction of the base stands is reversed, the measurement must be 443.4 mm.

2.2 Installation of the PBX

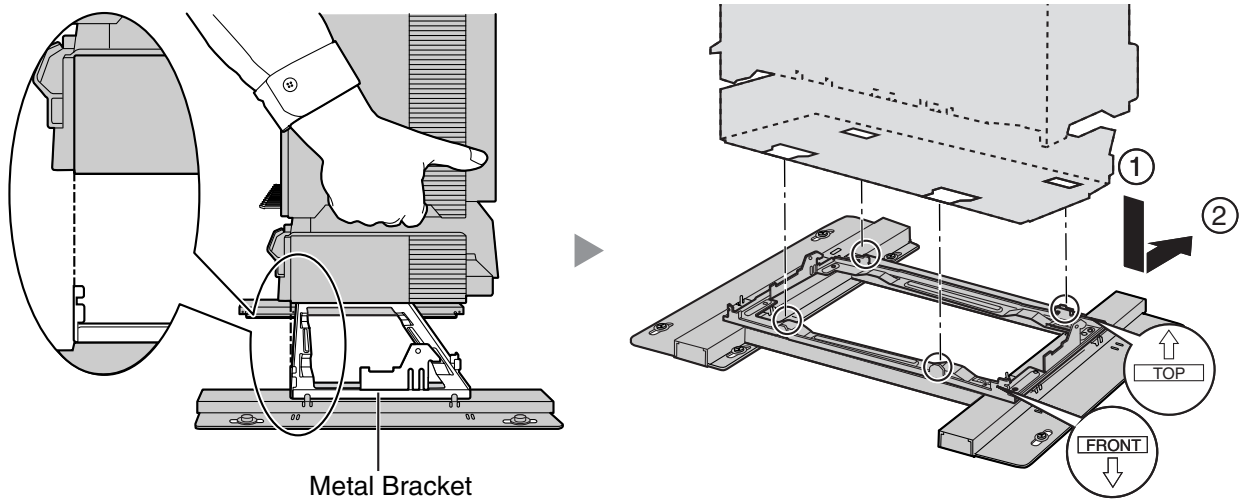
5. Install 4 anchor plugs in the holes on the floor.
Then, fasten the base stands to the floor with 4 screws (A).



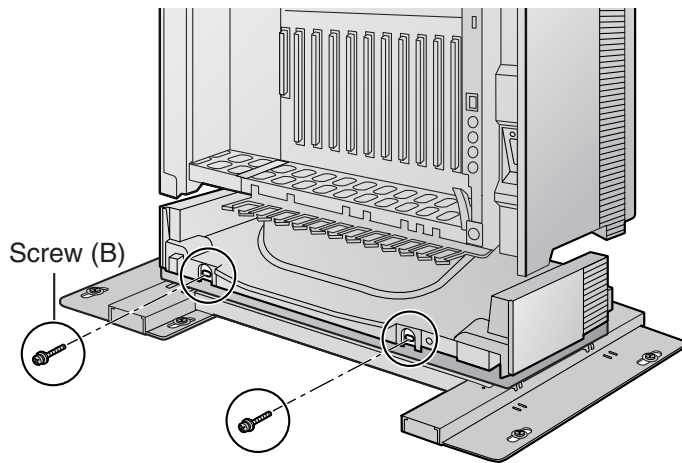
6. Remove the 4 tabs on the top cover of the Basic Shelf, by using a flathead screwdriver, as shown below.



7. Lift the Basic Shelf, attach it to the metal bracket, and slide it backwards until it locks.

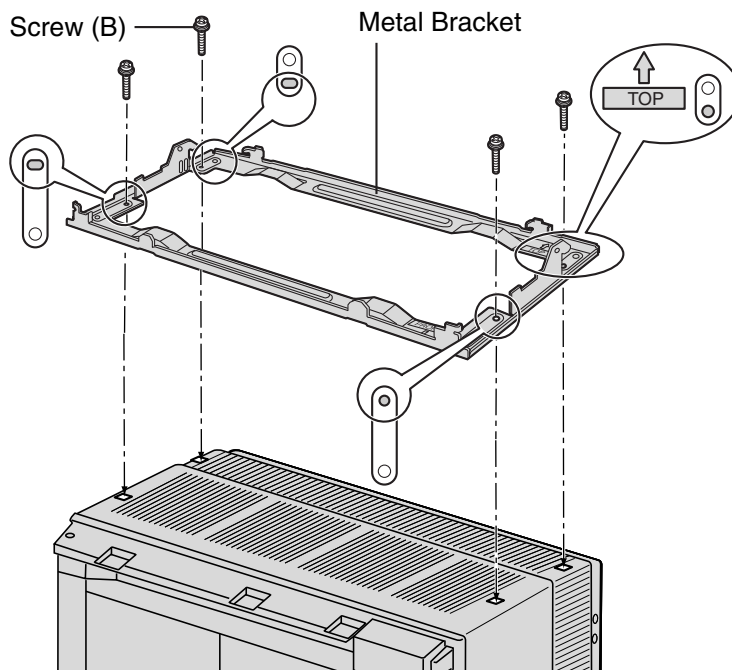


8. Secure the Basic Shelf to the metal bracket with 2 screws (B).

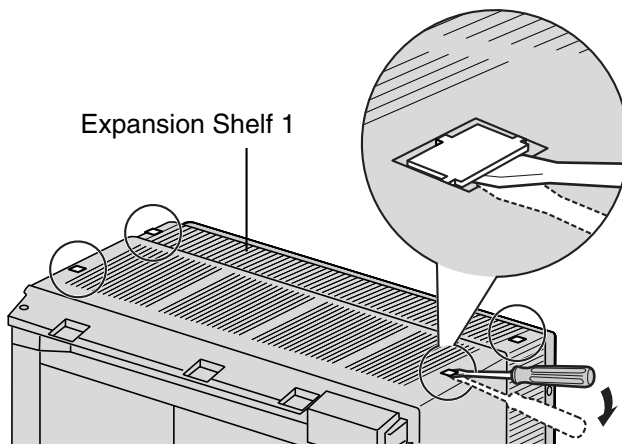


Expansion Shelf 1

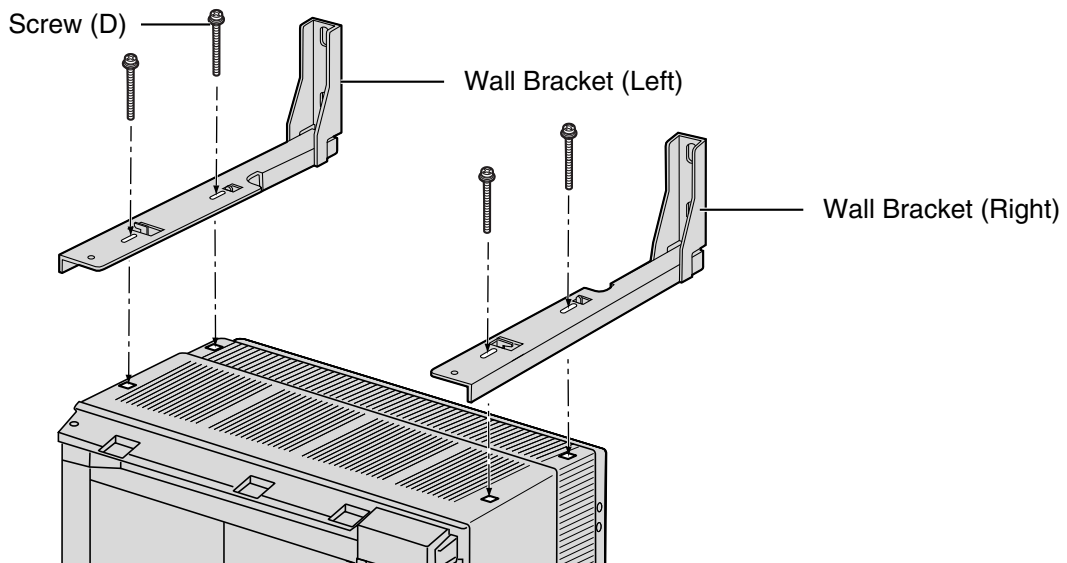
1. Fix the metal bracket to the Basic Shelf with 4 screws (B).



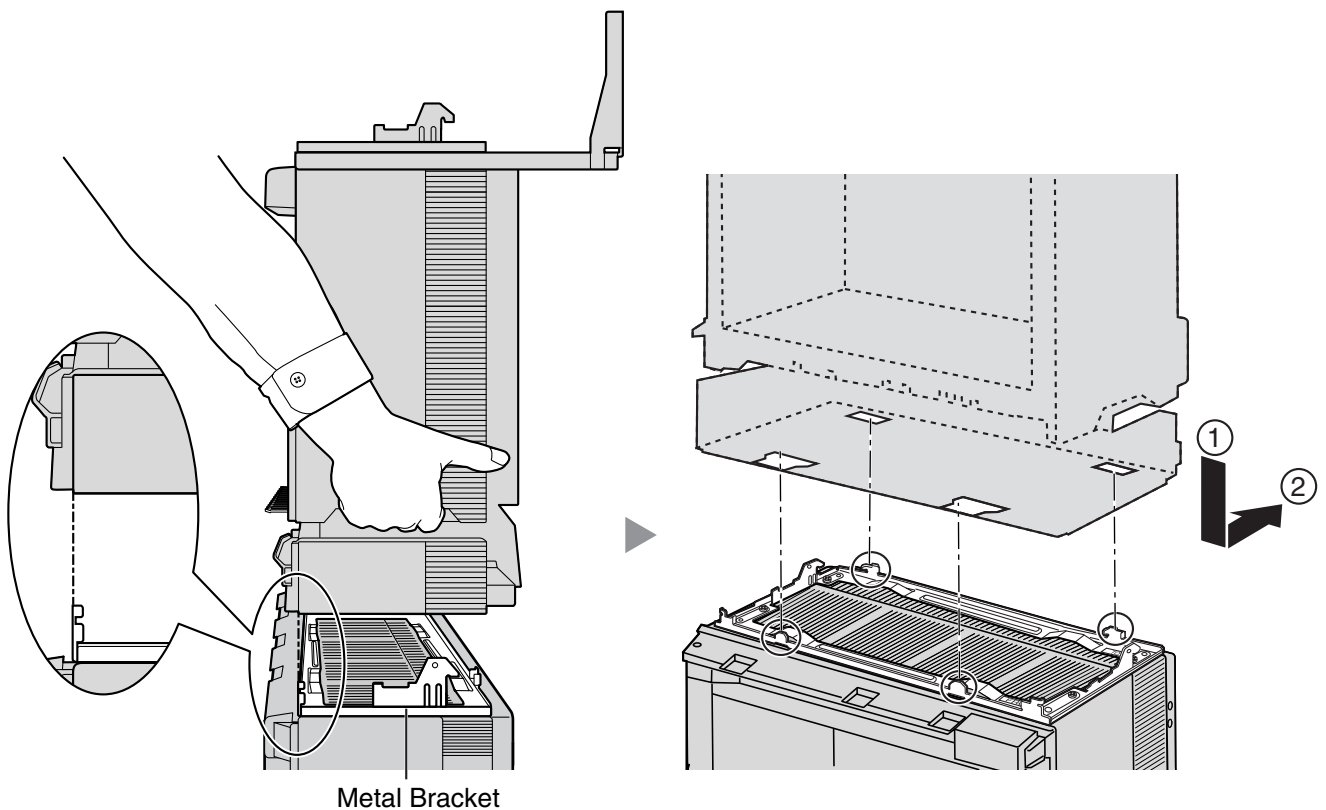
2. Remove the 4 tabs on the top cover of Expansion Shelf 1, by using a flathead screwdriver, as shown below.



3. Fasten the wall brackets loosely to Expansion Shelf 1 with 4 screws (D). (This makes it easy to adjust the position of the shelves later.)

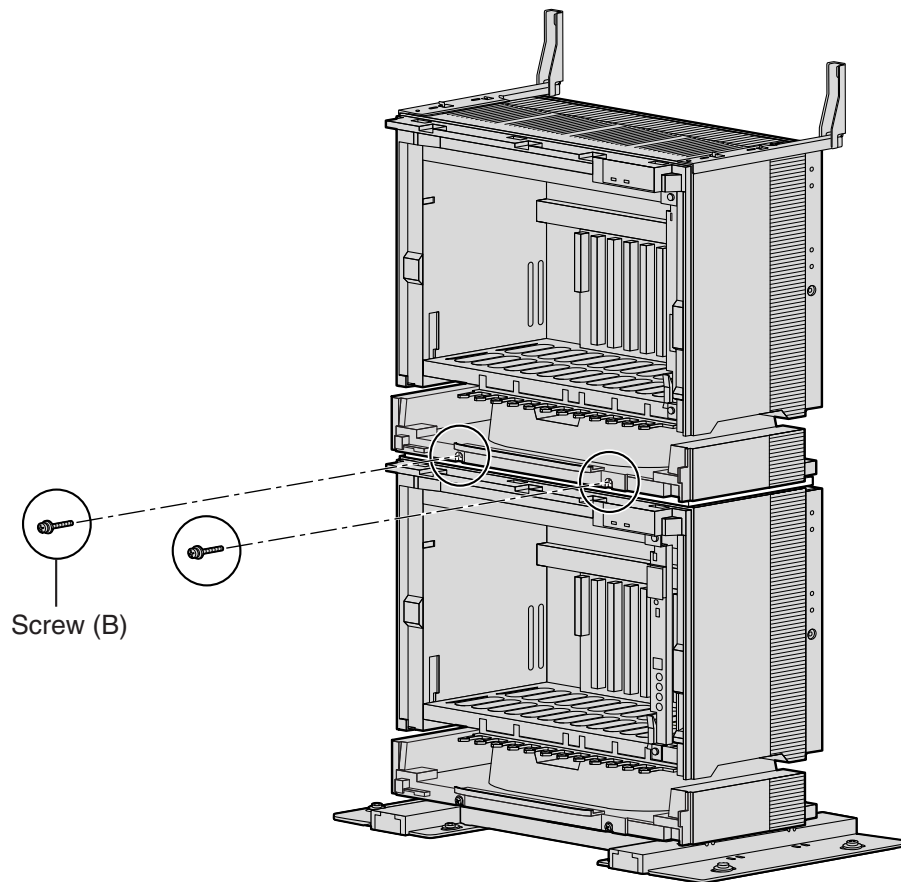


4. Lift Expansion Shelf 1, attach it to the metal bracket fixed on the Basic Shelf, and slide it backwards until it locks.



2.2 Installation of the PBX

5. Secure Expansion Shelf 1 to the metal bracket with 2 screws (B).

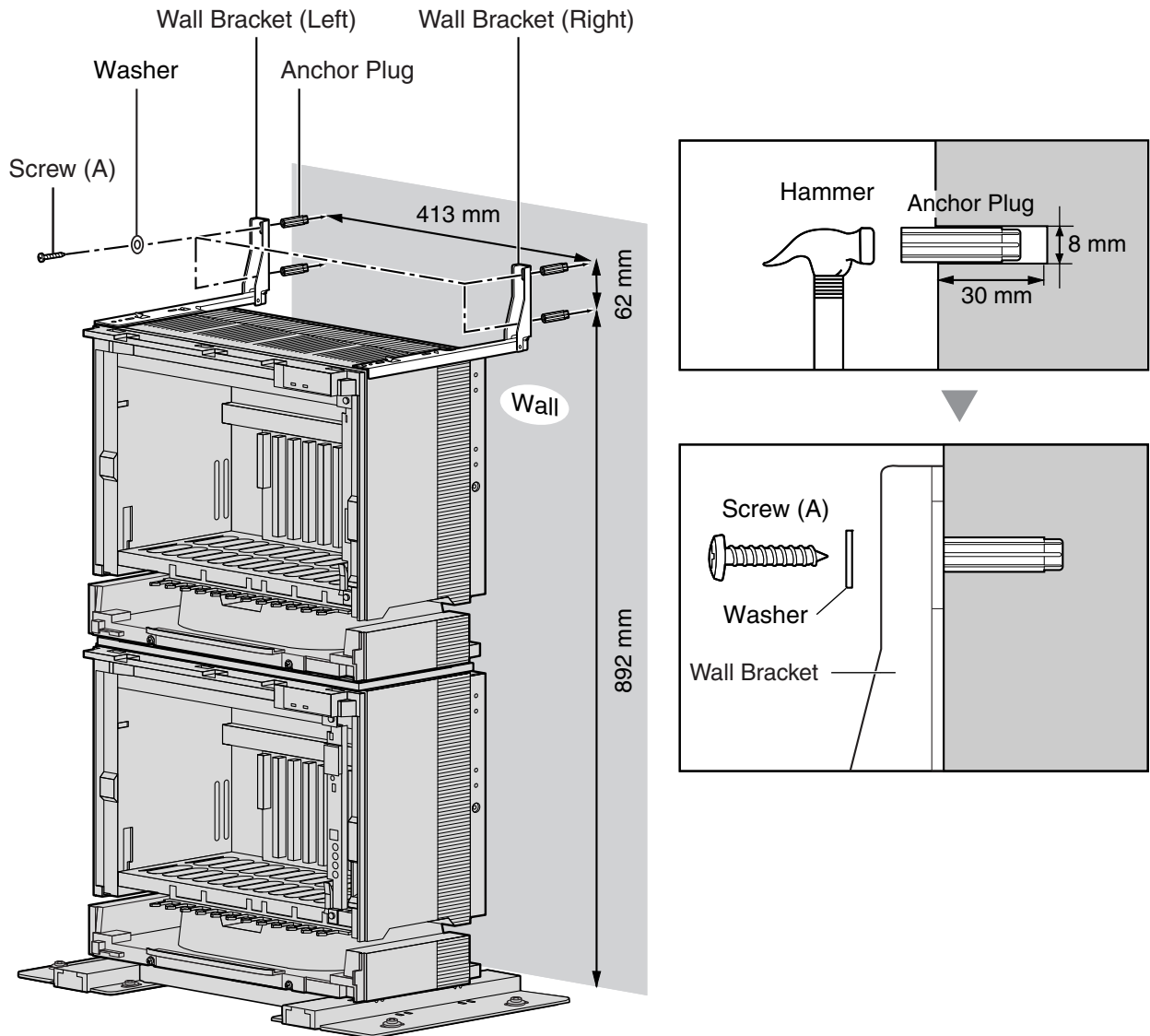


Fixing to the Wall

1. Install 4 anchor plugs in the wall, using the wall brackets as a template. Fix the wall brackets to the wall with 4 screws (A).

CAUTION

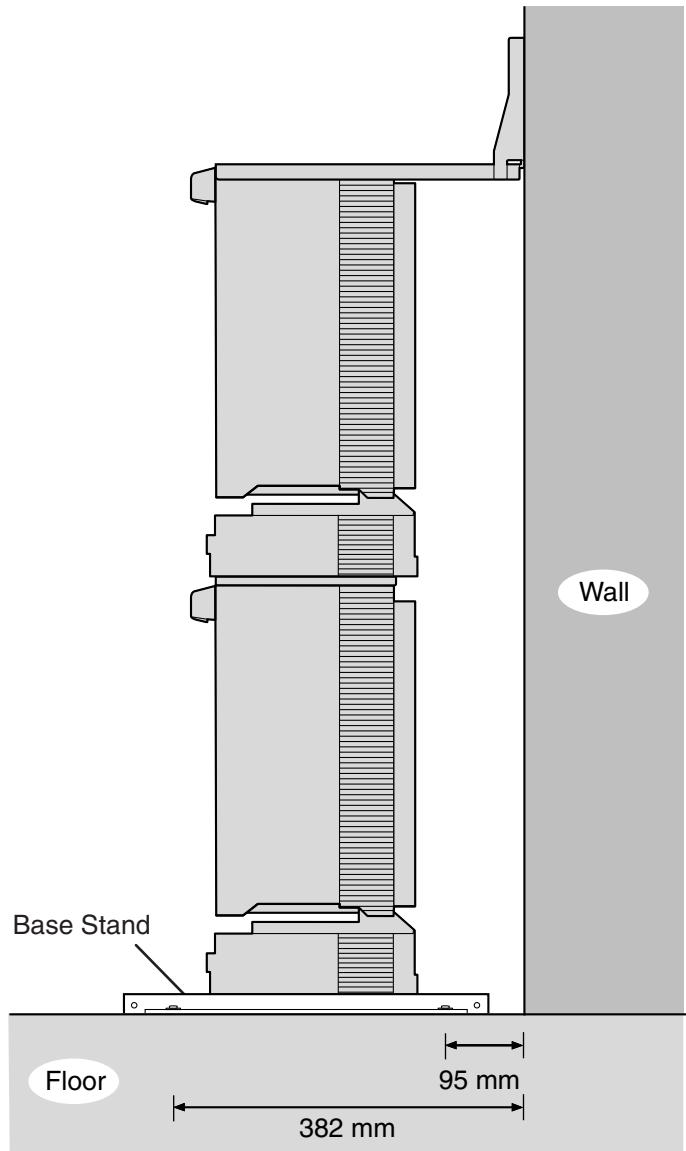
- Drive mounting screws into the wall. Be careful to avoid touching any metal laths, wire laths or metal plates in the wall.
- When installing anchor plugs in the wall, be careful not to damage or dirty the shelves.



2.2 Installation of the PBX

2. Check that the shelves are standing exactly vertically. If the shelves are leaning slightly to one side, move the base stands to adjust the position. (Since the base stands are attached loosely to the floor, it should be possible to adjust the position of the shelves.)

Then, tighten the screws connecting the base stands to the floor.

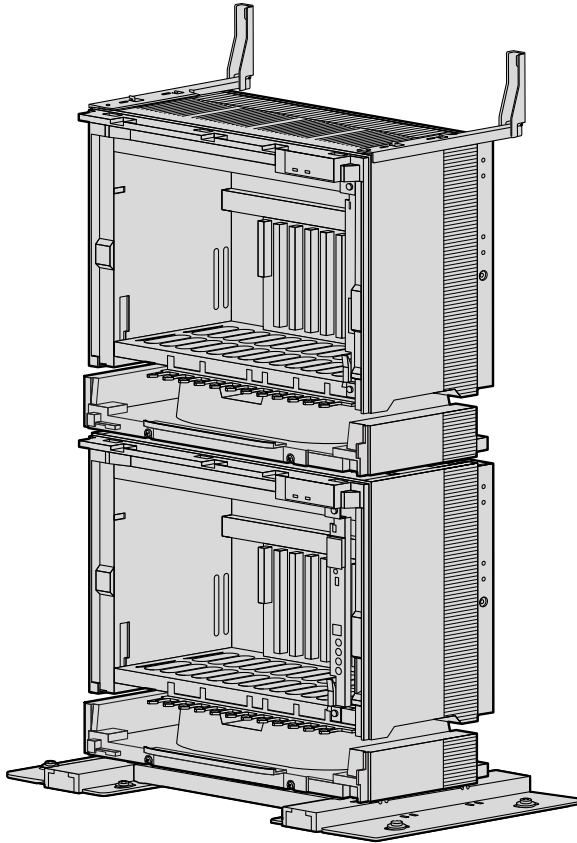


Installation of the first 2 shelves is complete. Next, install Expansion Shelves 2 and 3 next to the Basic Shelf and Expansion Shelf 1.

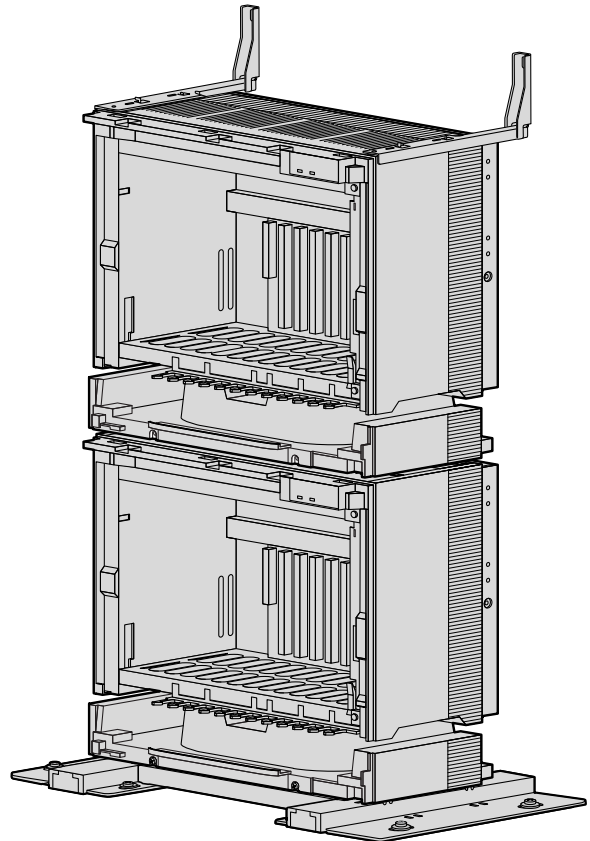
Installing Expansion Shelves 2 and 3

Repeat the procedure in "Installing the Basic Shelf and Expansion Shelf 1" for Expansion Shelves 2 and 3. Expansion Shelves 2 and 3 must be connected to the Basic Shelf using Bus Cables. Therefore, make sure that Expansion Shelves 2 and 3 are installed so that the Bus Cables can reach the Basic Shelf.

Basic Shelf and Expansion Shelf 1



Expansion Shelves 2 and 3



Shelf installation is complete. Next, it is necessary to connect the shelves.

Connecting Shelves

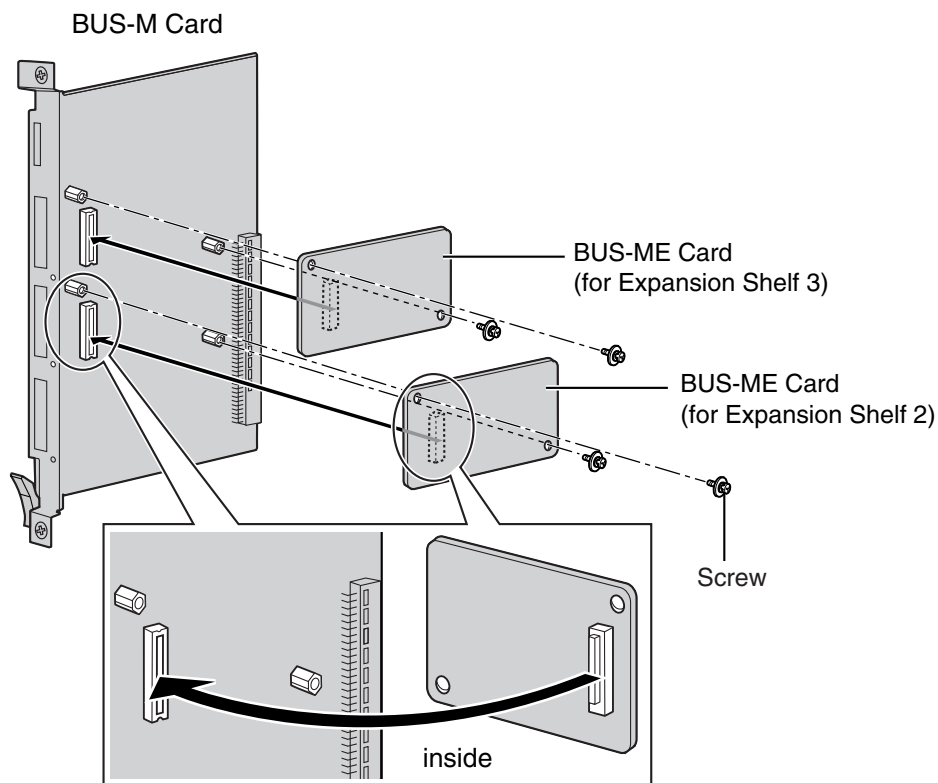
For the 4-shelf system, you need to install an optional BUS-M card and BUS-ME cards in the Basic Shelf. To connect the shelves, plug the Bus Cables (supplied with the BUS-M card or BUS-ME card) into the slot of the BUS-M card. Then, plug the other end of each Bus Cable into the BUS-S card built in to each Expansion Shelf.

For details about the cards, refer to "2.4.1 BUS-M Card (KX-TDA6110)", "2.4.2 BUS-ME Card (KX-TDA6111)", and "2.5.1 BUS-S Card".

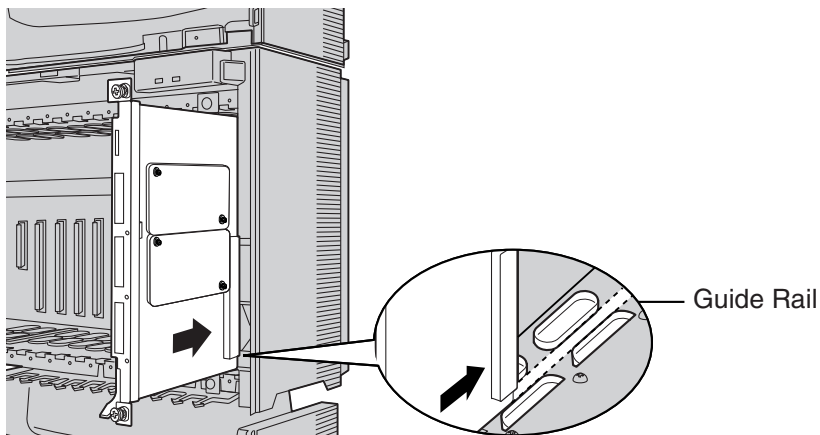
Note

When installing or removing the BUS-M card, make sure that the DC power supply is turned off.

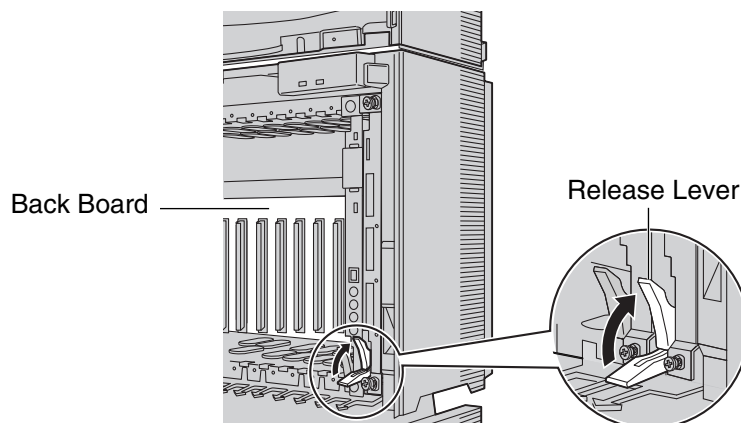
1. Mount 2 BUS-ME cards on the BUS-M card as shown below.



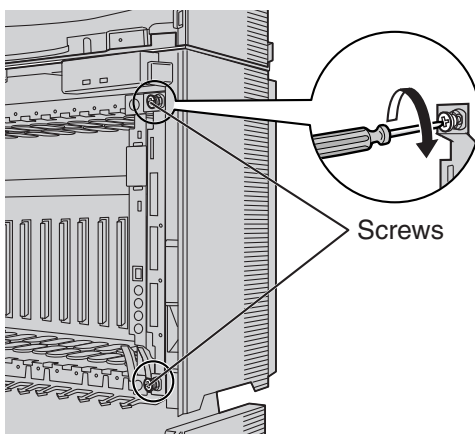
2. Insert the BUS-M card along the guide rails in the BUS-M Card Slot (the right-most slot) of the Basic Shelf.



3. Push the release lever in the direction of the arrow so that the BUS-M card engages securely with the connector on the back board.



4. Turn the 2 screws clockwise to fix the BUS-M card in place.

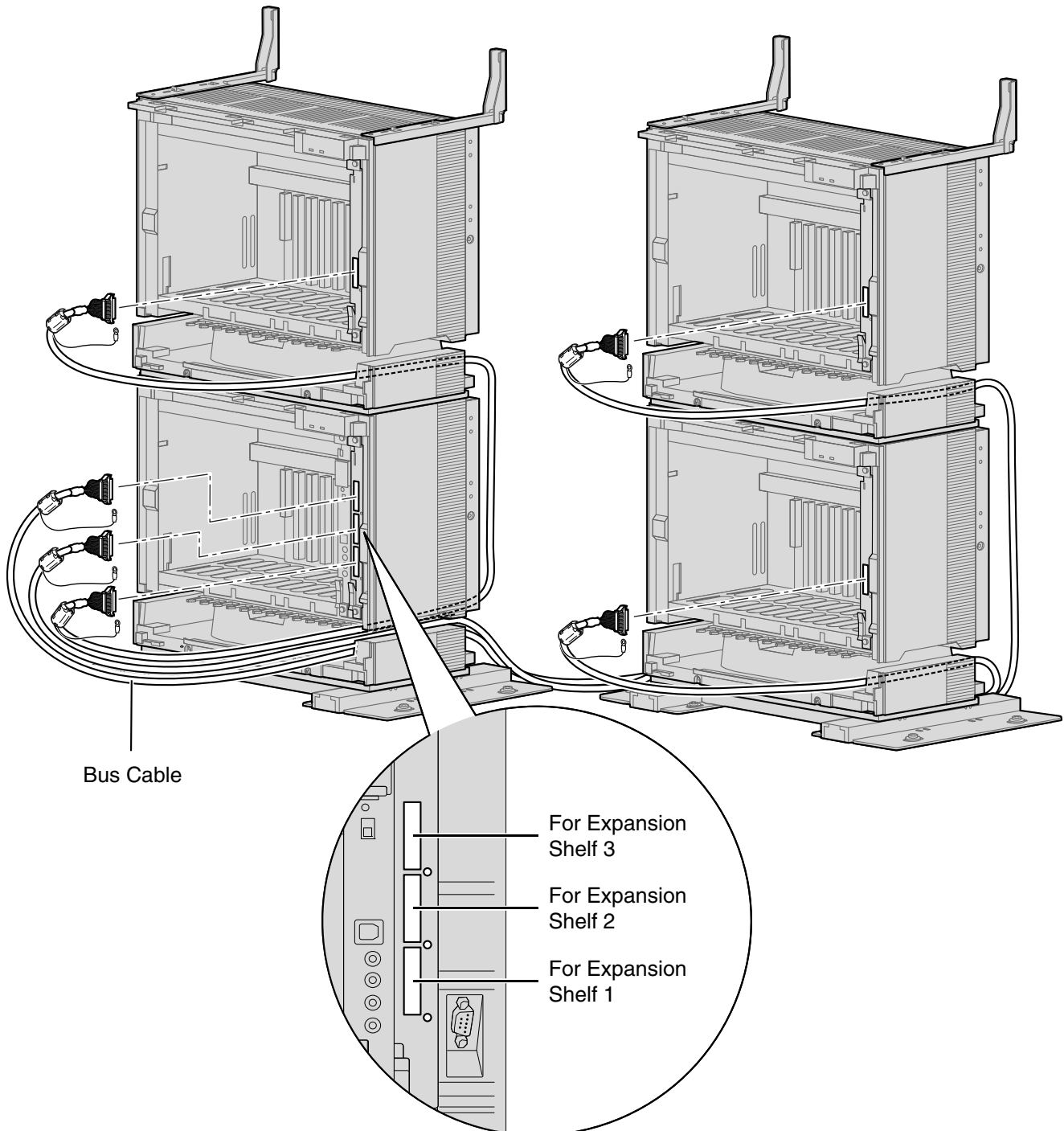


2.2 Installation of the PBX

5. Plug each Bus Cable into the corresponding port of the BUS-M card in the Basic Shelf. Then, plug the other end into the BUS-S card in each Expansion Shelf.

Note

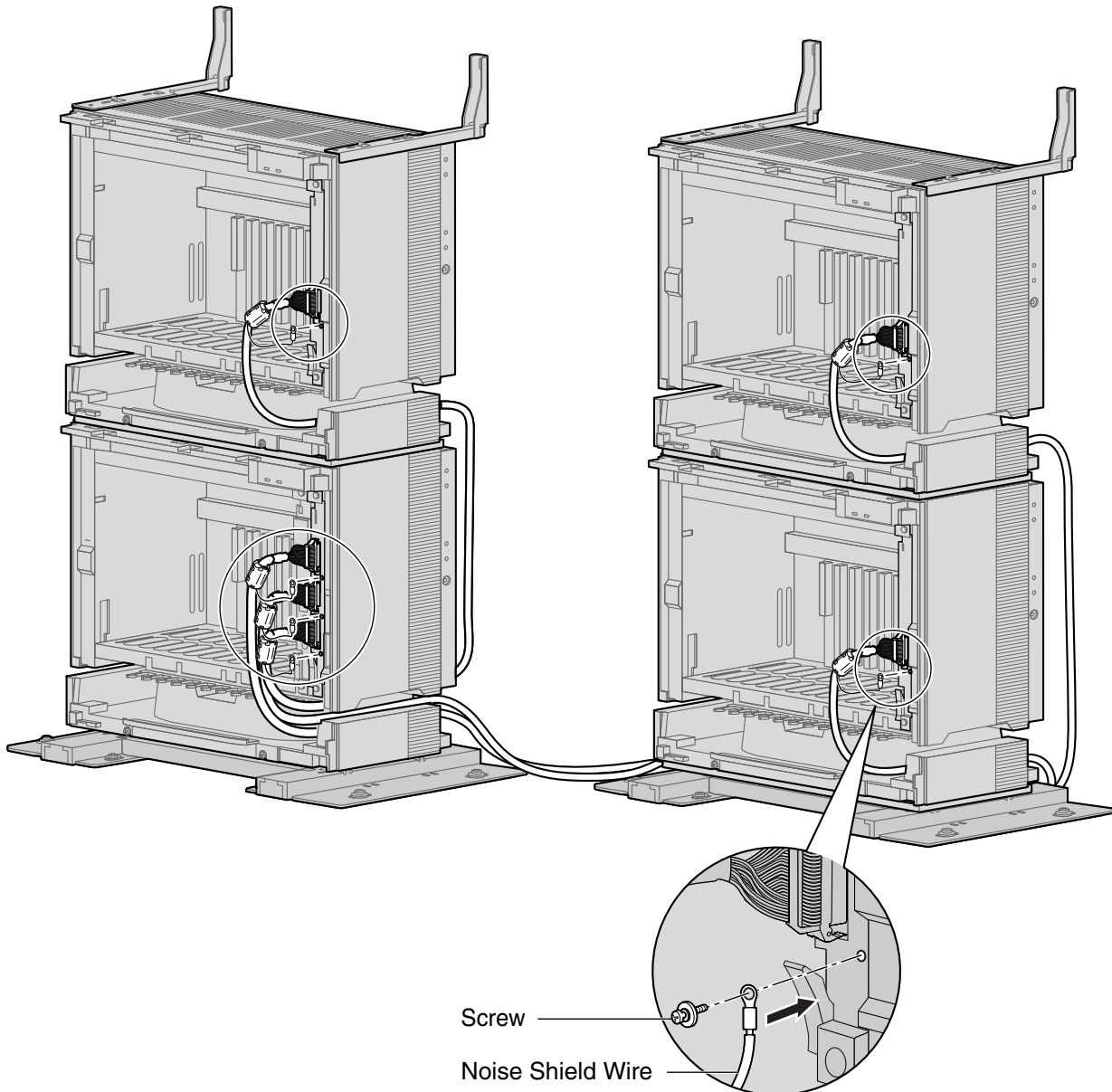
When plugging or unplugging the Bus Cables, make sure that the DC power supply is turned off.



6. Attach the noise shield wires of each Bus Cable to the Basic Shelf and each Expansion Shelf with the screws of the BUS-M card.

Note

When attaching or removing the noise shield wires, make sure that the DC power supply is turned off.



2.2.8 Wall Mounting (KX-TDA600/KX-TDA620)

Mounting Shelves

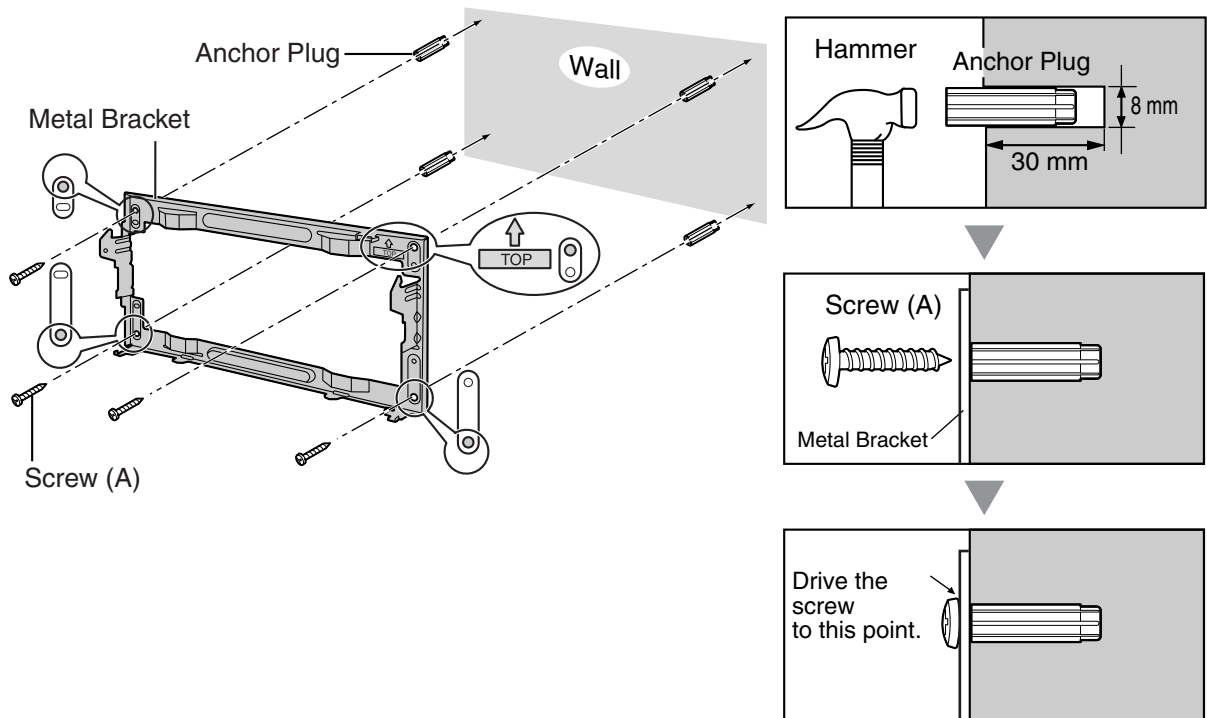
WARNING

- **MAKE SURE THAT THE WALL THAT THE SHELF WILL BE ATTACHED TO IS STRONG ENOUGH TO SUPPORT THE SHELF. IF NOT, IT IS NECESSARY FOR THE WALL TO BE REINFORCED.**
- **ONLY USE THE WALL-MOUNTING EQUIPMENT (ANCHOR PLUGS, SCREWS, METAL BRACKET) INCLUDED WITH THE PBX.**
- **WHEN DRIVING THE SCREWS INTO THE WALL, BE CAREFUL TO AVOID TOUCHING ANY METAL LATHS, WIRE LATHS OR METAL PLATES IN THE WALL.**
- **WHEN PLACING THE METAL BRACKET, MAKE SURE THAT THE "TOP" ARROW IS POINTING UPWARD.**
- **WHEN THIS PRODUCT IS NO LONGER IN USE, MAKE SURE TO DETACH IT FROM THE WALL.**

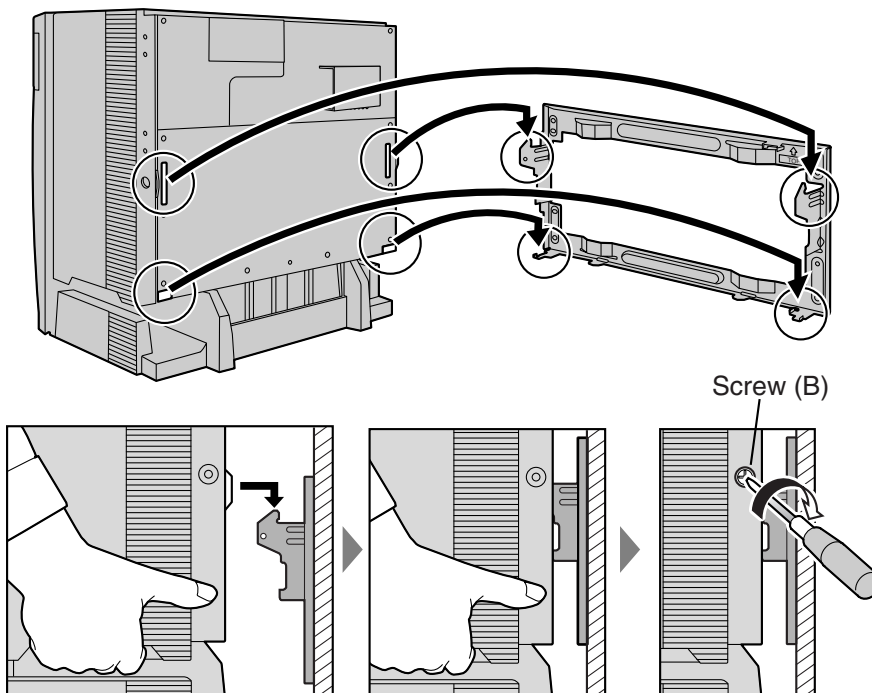
Notes

- Make sure to remove the front cover from each shelf before installing the shelves (refer to "2.2.3 Opening/Closing the Front Cover").
- Do not install any optional service cards or a PSU in the shelves before installation.
- Do not block the openings of the shelf. Allow space of at least 20 cm above and 10 cm at the sides of the shelf.
- Make sure that the surface behind the shelf is flat and free of obstacles, so that the openings on the back of the shelf will not be blocked.
- Make sure that the surface behind the shelf is not made of wood.
- Be careful not to drop the shelf.
- For details about the dimensions and weight of the PBX, refer to "1.4.1 General Description".

1. Install 4 anchor plugs in the wall, using the metal bracket as a template. Fix the metal bracket with 4 screws (A).



2. Hook the shelf onto the metal bracket, making sure that the shelf slides down and onto the hooked parts of the metal bracket. Use 2 screws (B) to fix both sides of the shelf.



Connecting Shelves

For a multiple shelf system, you need to install an optional BUS-M card and BUS-ME card(s) in the Basic Shelf. To connect the shelves, plug the Bus Cables (supplied with the BUS-M card or BUS-ME card) into the slots of the BUS-M card. Then, plug the other end of each Bus Cable into the BUS-S card built in to each Expansion Shelf.

For a 2-shelf System (Basic Shelf + 1 Expansion Shelf)

It is necessary to install an optional BUS-M card in the Basic Shelf.

For how to connect the shelves, refer to "Connecting Shelves" in "2.2.5 Installation of Basic System or 2-shelf System (Floor Standing)".

For a 3- or 4- shelf System (Basic Shelf + 2 or 3 Expansion Shelves)

It is necessary to install an optional BUS-M card in the Basic Shelf, and mount 1 BUS-ME card (for a 3-shelf system), or 2 BUS-ME cards (for a 4-shelf system) on the BUS-M card.

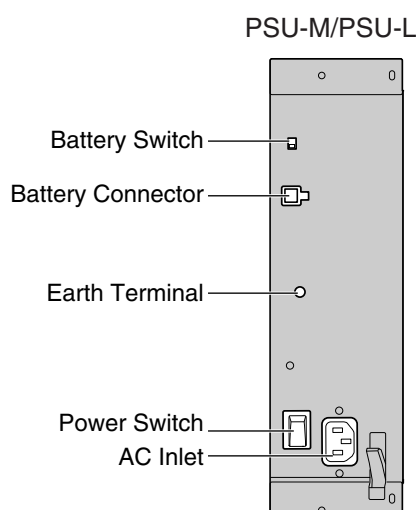
For how to connect the shelves, refer to "Connecting Shelves" in "2.2.6 Installation of 3- or 4-shelf System (Tower Type)".

2.2.9 Installing/Replacing the Power Supply Unit

Function

PSU Type	Lower/Upper Input Voltage Range	Current	Input Frequency
PSU-M	Lower: 100 V AC to 130 V AC	2.5 A ^{*1}	50 Hz or 60 Hz
	Upper: 200 V AC to 240 V AC	1.4 A	
PSU-L	Lower: 100 V AC to 130 V AC	5.1 A ^{*1}	
	Upper: 200 V AC to 240 V AC	2.55 A	

*1 When you are installing multiple shelves, make sure that the total ampere rating of all the devices plugged into the AC outlet does not exceed the ampere rating of either the AC outlet or the breaker.



Accessories and User-supplied Items

Accessories (included): Screws × 4

User-supplied (not included): Earthing wire, Back-up Battery Cable (KX-A228 for PSU-M, or KX-A229 for PSU-L)

Notes

- For details about frame earth connection, refer to "2.2.10 Frame Earth Connection".
- For details about backup batteries connection, refer to "2.2.11 Backup Battery Connection".

Safety Instructions

Each PSU complies with Safety Class 1 of IEC60950, EN60950, UL60950, CAN/CSA-C22.2 No.60950, and AS/NZS60950; therefore a protective earth connection exists between the mains outlet ground and the PSU case. To ensure the PBX chassis is safely grounded, it is essential that the PSU case be securely fastened to the PBX chassis with the 4 screws provided with each PSU.

When installing or replacing a PSU, basic safety precautions should always be followed to reduce the risk of fire, electric shock and injury to persons, including the following:

1. Never install or replace a PSU during a lightning storm.
2. Never install or replace a PSU in wet locations.

2.2 Installation of the PBX

3. Never install or replace a PSU unless at least 20 s has elapsed after the AC supply and backup battery supply are disconnected.
4. To protect the back board from static electricity, do not touch parts on the back board in the main unit and PSU. To discharge static electricity, touch ground or wear an earthing strap.

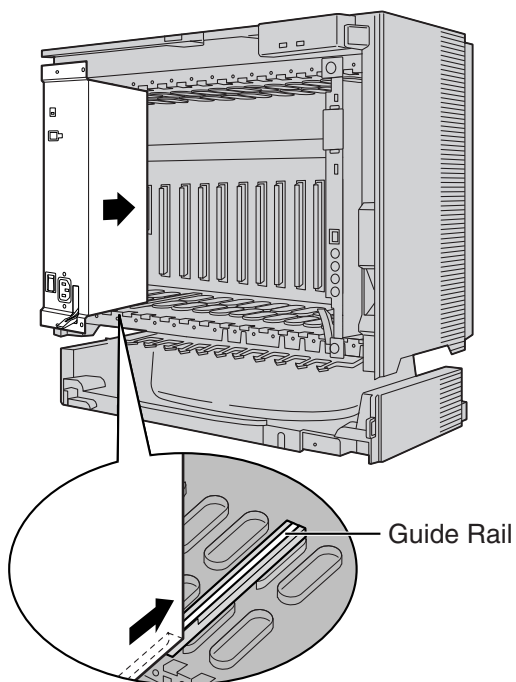
The following procedures are for installing or replacing a PSU only. Do not replace or remove the PSU for any other purpose.

Installing the Power Supply Unit

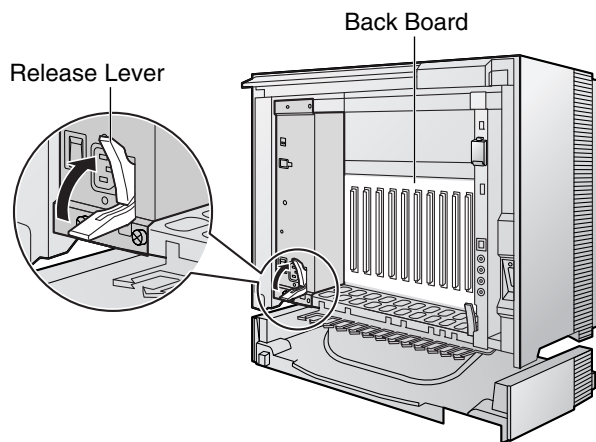
1. Insert the PSU along the guide rails.

CAUTION

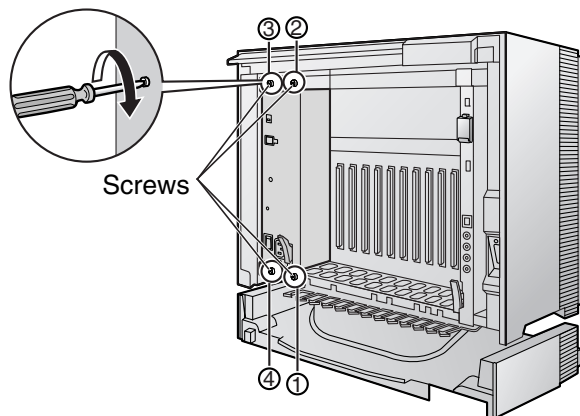
For safety reasons, do not touch parts in the PSU.



2. Push the release lever in the direction of the arrow, so that the PSU engages securely with the connector on the back board.

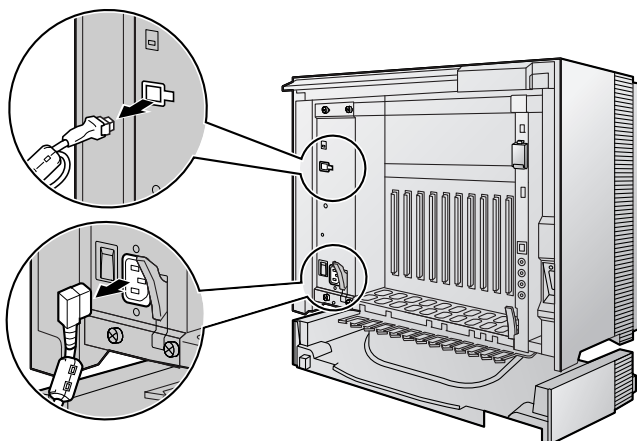


3. Turn the 4 screws clockwise, in the order indicated by the numbers 1 to 4, to fix the PSU.



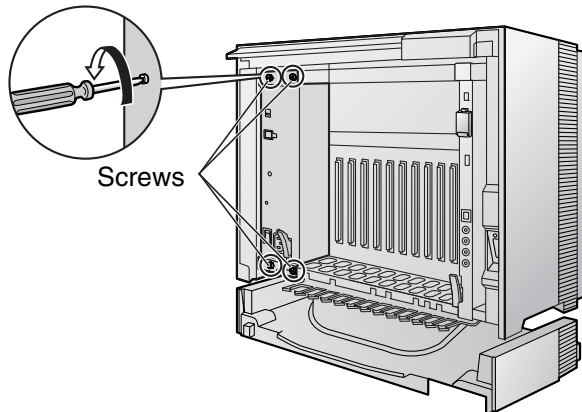
Replacing the Power Supply Unit

1. Unplug the AC power cord and Back-up Battery Cable.

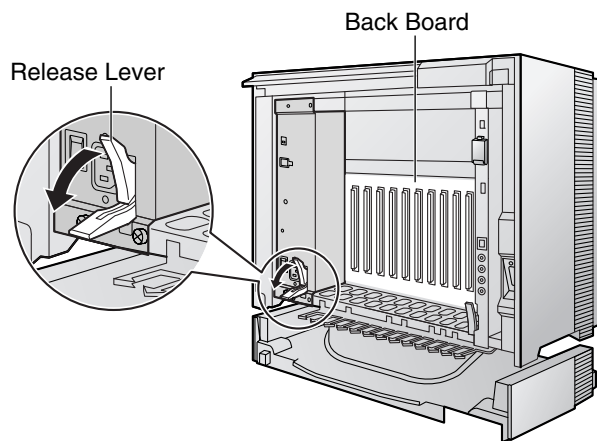


2.2 Installation of the PBX

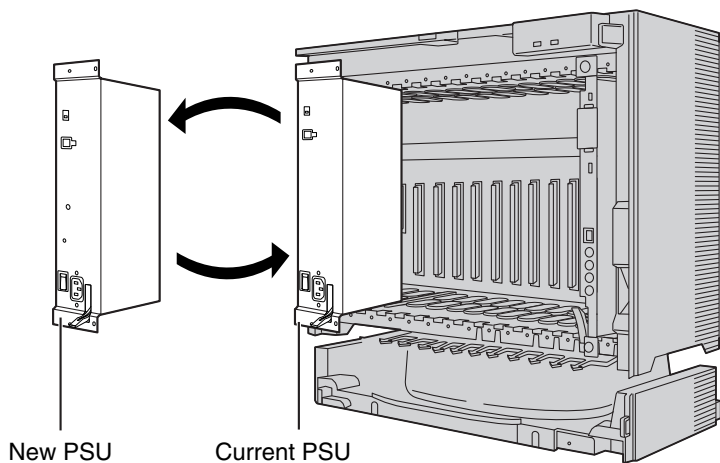
2. Turn the 4 screws anticlockwise to loosen them.



3. Pull the release lever in the direction of the arrow to disconnect the PSU from the back board.



4. Replace the PSU.



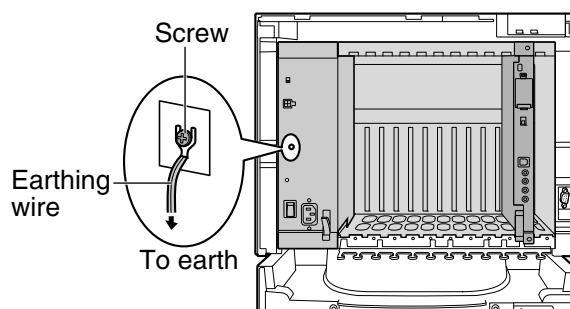
5. Follow the steps in "Installing the Power Supply Unit".

2.2.10 Frame Earth Connection

IMPORTANT

Make sure to separately connect the frame of each shelf to a different earth terminal. Do not connect it to other shelves.

1. Loosen the screw.
2. Insert an earthing wire (user-supplied)*.
3. Tighten the screw.
4. Connect the earthing wire to earth.
5. Repeat steps 1 to 4 for each shelf.



* For earthing wire, green-and-yellow insulation is required, and the cross-sectional area of the conductor must be more than 0.75 mm² or 18 AWG.

- Be sure to comply with applicable local regulations (e.g., laws, guidelines).
- Proper earthing (connection to earth) is very important to protect the PBX from the bad effects of external noise or to reduce the risk to the user of electrocution in the case of a lightning strike.
- The earthing wire of the AC cable has an effect against external noise and lightning strikes, but it may not be enough to protect the PBX. A permanent connection between earth and the earth terminal of each PBX must be made.

2.2.11 Backup Battery Connection

The backup batteries and Back-up Battery Cable provide a backup power supply to allow full use of the PBX in the event of a power failure. In case of power failure, the backup batteries automatically maintain the power to the PBX without interruption.

User-supplied Items

- Backup Batteries: VRLA (Valve Regulated Lead Acid) 12 V DC × 3
- Back-up Battery Cable: KX-A228 (for PSU-M) or KX-A229 (for PSU-L)

CAUTION

- Make sure that each Back-up Battery Cable is securely fastened to both the backup batteries and the shelf.
- Be sure to comply with applicable local regulations (e.g., laws, guidelines).
- Make sure that the polarities of the backup batteries and wiring are correct.
- Make sure that you do not short the backup batteries or cables.
- There is a danger of explosion if backup batteries are incorrectly replaced. Replace only with the same or equivalent type recommended by the battery manufacturer. Dispose of used batteries according to the manufacturer's instructions.
- Use the correct type of Back-up Battery Cable for the PSU.

Notes

- Turn on the battery switch on the PSU only after the installation of the shelves is finished and AC power is available.
- It is recommended to connect all installed shelves of the system to backup batteries. Note that backup batteries can not provide a backup power supply to any shelves which are not directly connected to the backup batteries.
- The recommended maximum capacity per shelf is 28 Ah, to maintain effective battery charge.
- Make sure that the type and capacity of the 3 backup batteries are identical.
- The Back-up Battery Cable should not be exposed to direct sunlight. Keep the Back-up Battery Cable and the backup batteries away from heating appliances and fire. Place the backup batteries in a ventilated place.
- For details about the backup batteries, refer to the manual for the batteries.

Backup Power Supply Duration

The length of time that backup batteries can power the shelves varies depending on the total load figure of the shelves to which the backup batteries are connected. For how to calculate the load figure from the connected items, refer to "Load Figure Calculation".

Examples

Battery Capacity	Total Load Figure of the Connected Shelves	Backup Power Supply Duration ^{*1}
28 Ah	128	5.5 h
	512	3 h

^{*1} The duration may vary depending on the conditions.

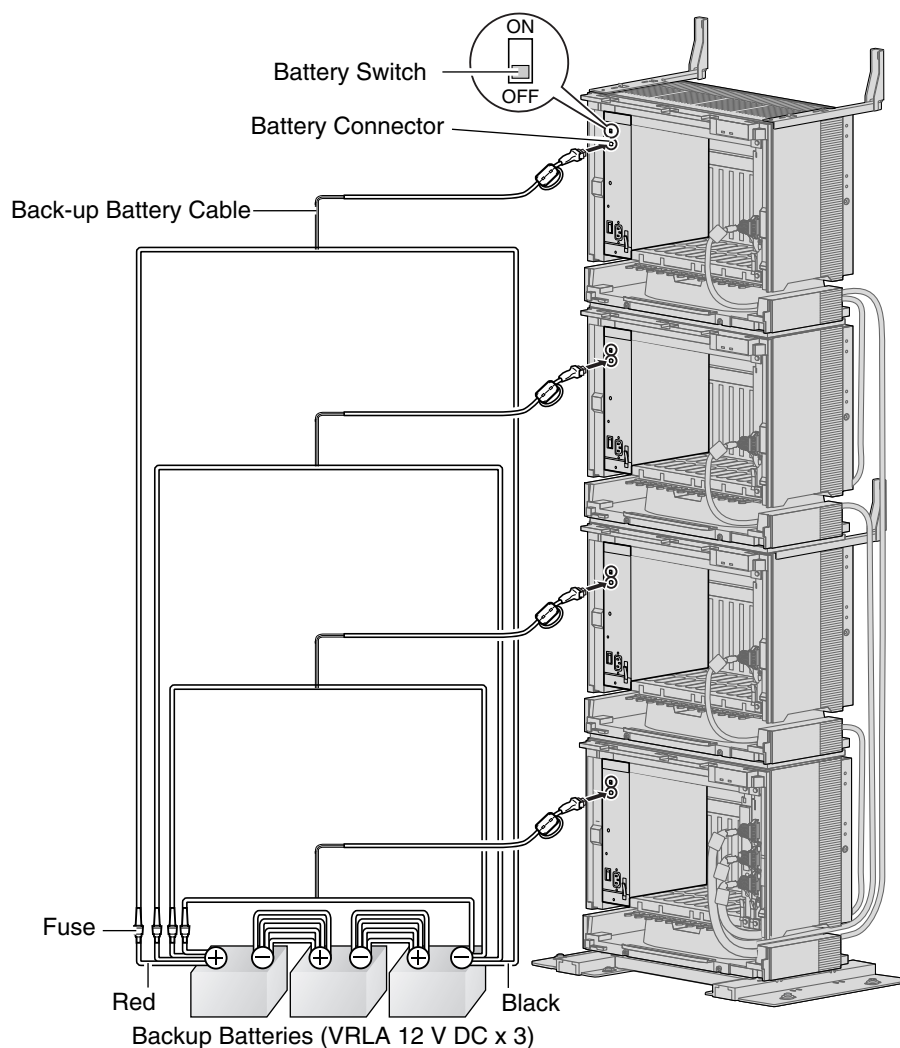
Connecting Backup Batteries

There are 2 types of backup batteries connection:

- a. Connecting multiple shelves to one set of backup batteries
- b. Connecting each shelf to its own set of backup batteries

Connecting Multiple Shelves to One Set of Backup Batteries

1. Turn off the battery switch on the PSU.
2. Connect the Back-up Battery Cables to a set of 3 identical backup batteries.

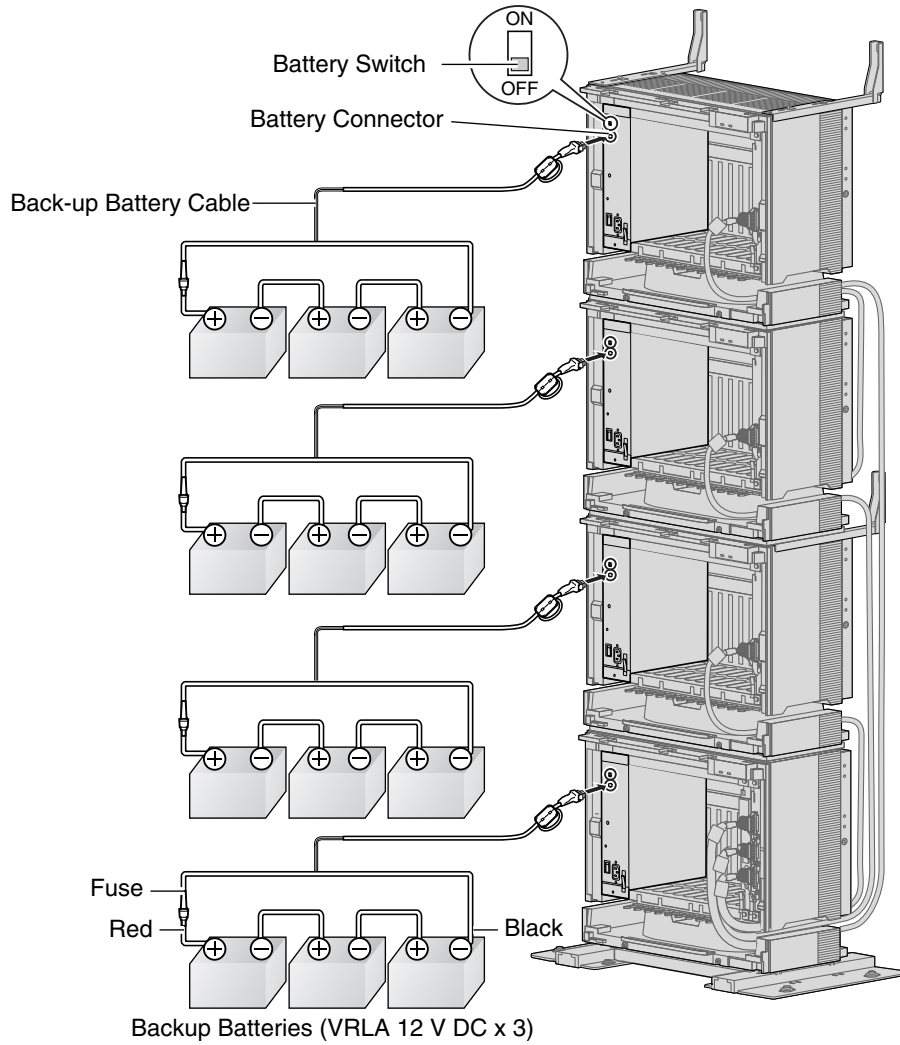


Notes

- When connecting backup batteries, make sure to use the same number of Back-up Battery Cables as the number of installed shelves, even between connected batteries. For example, if 4 shelves are installed, 4 cables must be attached to each terminal of each battery, as shown above.
- If the length of time that power must be maintained after a power failure exceeds the capacity of the backup batteries, connect additional sets of 3 backup batteries as required.

Connecting Each Shelf to Its Own Set of Backup Batteries

1. Turn off the battery switch on the PSU.
2. Connect each Back-up Battery Cable to its own set of 3 identical backup batteries.



2.2.12 Installing/Removing the Optional Service Cards

CAUTION

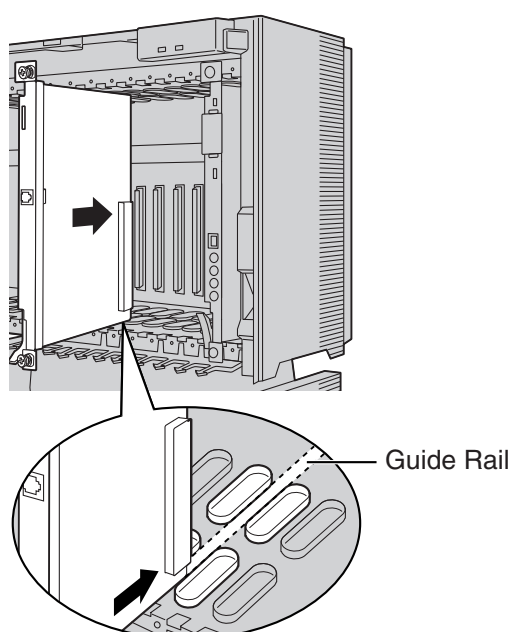
To protect the back board from static electricity, do not touch parts on the back board in the main unit and on the optional service cards. To discharge static electricity, touch ground or wear an earthing strap.

Note

The optional service cards can be installed or removed while the DC power is supplied. However, when installing or removing the EMPR card, BUS-M card or BUS-S card, the DC power supply must be turned off.

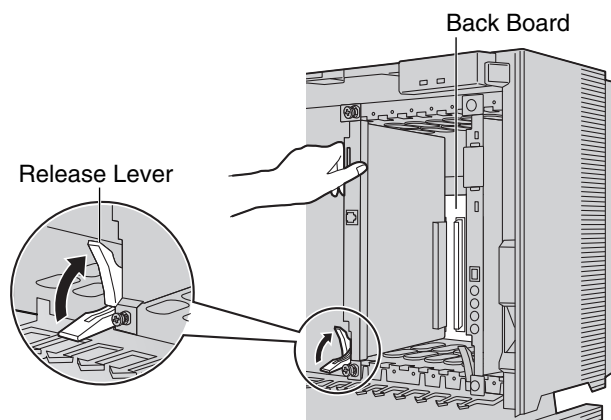
Installing Optional Service Cards

1. Insert the card along the guide rails.

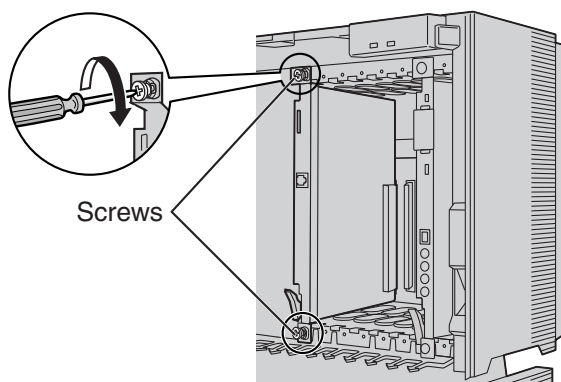


2.2 Installation of the PBX

2. Holding the card as shown below, push the release lever in the direction of the arrow so that the card engages securely with the connector on the back board.



3. Turn the 2 screws clockwise to fix the card in place.



Note

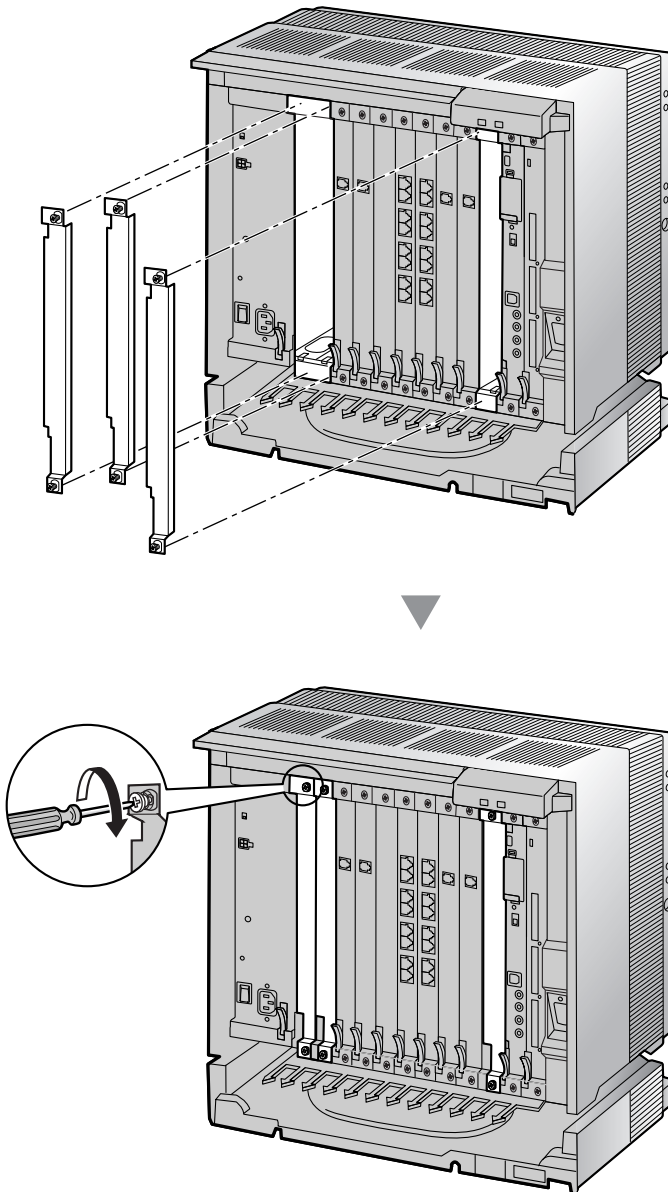
Make sure the screws are tightened to earth the card securely.

Covering the Blank Slots

Be sure to cover each slot in which no optional service card is installed by using a Blank Slot Cover.

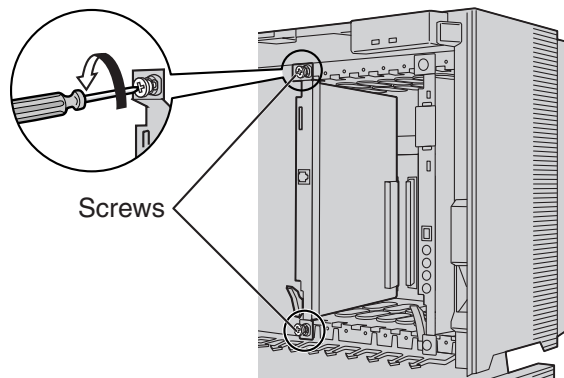
CAUTION

Failure to install the Blank Slot Cover may cause electromagnetic interference.

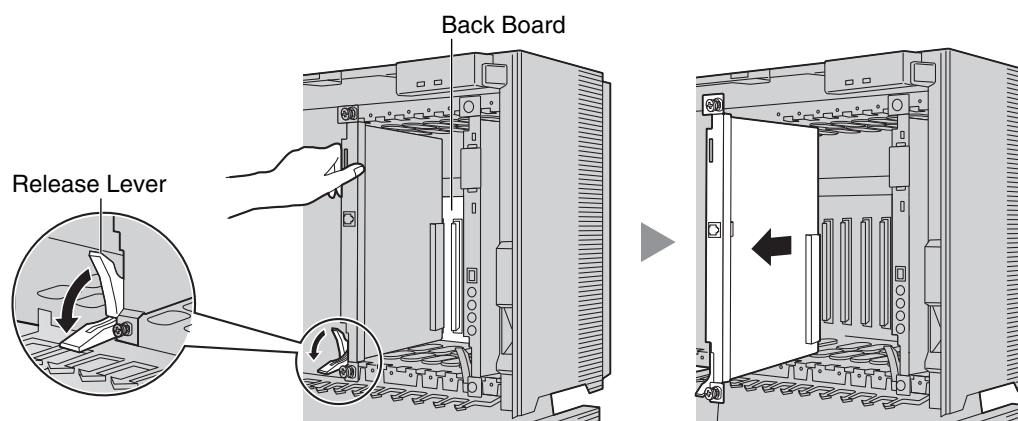


Removing the Optional Service Cards

1. Turn the 2 screws anticlockwise to loosen them.



2. Pull the release lever in the direction of the arrow to disconnect the card from the back board. Pull the card from the shelf to remove it.



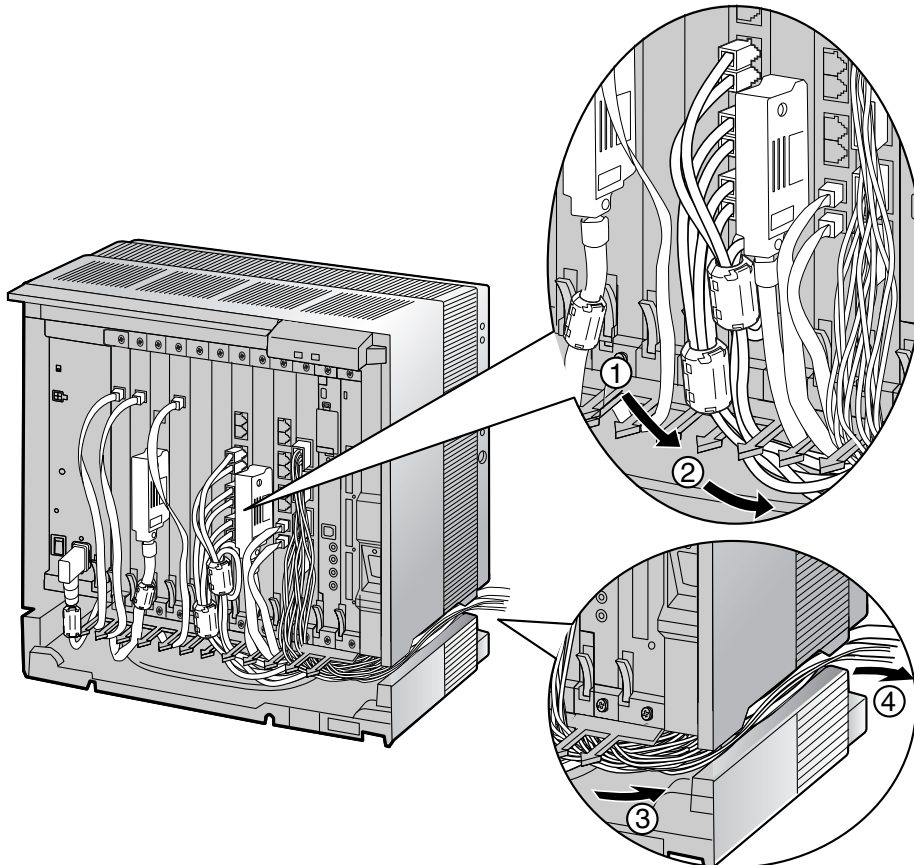
2.2.13 Cable Handling

Note

For safety reasons, do not stretch, bend, or pinch the AC power cord.

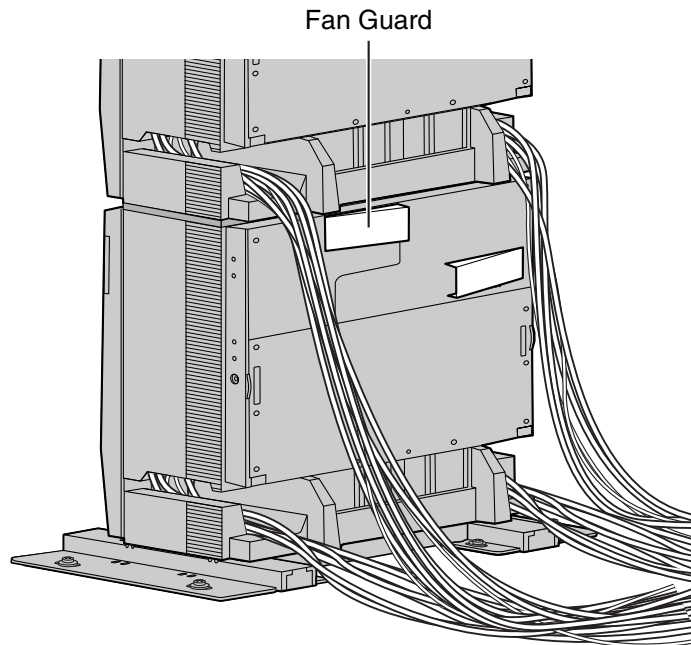
Cable Handling for Each Shelf

When cables are connected to the shelf, run the cables to either the right or the left, and then towards the back of the shelf as shown below.

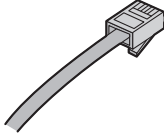
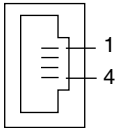
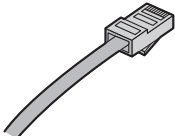
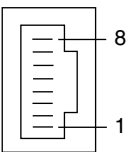
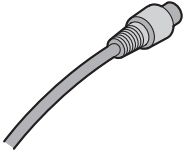
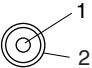
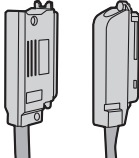
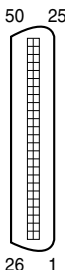


Cable Handling for Connected Shelves

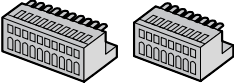
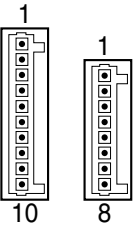
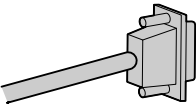
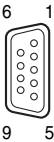
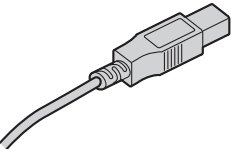

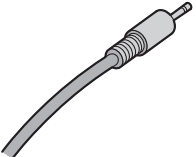
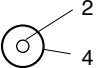
When running connected cables towards the back of the shelves, make sure not to block the opening of each Fan Guard as shown below.



2.2.14 Types of Connectors

Connector Type	Pin Number	Used for
<p>RJ11</p>  <p>(Twisted pair cable)</p>		<ul style="list-style-type: none"> DHLC8 (KX-TDA0170) SLC8 (KX-TDA0173) CSLC16 (KX-TDA0177) ESLC16 (KX-TDA6174) EMSLC16 (KX-TDA6175) ECSLC24 (KX-TDA6178) ELCOT16 (KX-TDA6181)
<p>RJ45</p>  <p>(Twisted pair cable)</p>		<ul style="list-style-type: none"> CSIF4 (KX-TDA0143) CSIF8 (KX-TDA0144) T1 (KX-TDA0187) E1 (KX-TDA0188) BRI4 (KX-TDA0284) BRI8 (KX-TDA0288) PRI30 (KX-TDA0290CE/CJ) PRI23 (KX-TDA0290) CTI-LINK (KX-TDA0410) IP-EXT16 (KX-TDA0470) IP-GW4E (KX-TDA0484) IP-GW16 (KX-TDA0490)
<p>BNC</p> 		<ul style="list-style-type: none"> E1 (KX-TDA0188) PRI30 (KX-TDA0290CE/CJ)
<p>Amphenol Type A Type B</p>  <p>(Shielded twisted pair cable)</p>		<ul style="list-style-type: none"> DHLC8 (KX-TDA0170) DLC8 (KX-TDA0171) DLC16 (KX-TDA0172) SLC8 (KX-TDA0173) CSLC16 (KX-TDA0177) ESLC16 (KX-TDA6174) EMSLC16 (KX-TDA6175) ECSLC24 (KX-TDA6178) ELCOT16 (KX-TDA6181) DID8 (KX-TDA0182) E&M8 (KX-TDA0184)

2.2 Installation of the PBX

Connector Type	Pin Number	Used for
<p>10-pin Terminal Block 8-pin Terminal Block</p> 		<ul style="list-style-type: none"> DPH4 (KX-TDA0161) DPH2 (KX-TDA0162) EIO4 (KX-TDA0164)
<p>RS-232C</p>  <p>(Shielded cable)</p>		<ul style="list-style-type: none"> Basic Shelf (KX-TDA600)
<p>USB</p> 		<ul style="list-style-type: none"> EMPR
<p>Mini Plug</p> 		<ul style="list-style-type: none"> EMPR

2.2.15 Attaching a Ferrite Core

A ferrite core must be attached when:

- an RJ45 connector is connected to T1, E1, PRI, BRI, IP-GW16 or IP-EXT16 cards, or
- an Amphenol connector is connected to an extension card.

The ferrite core is included with the card.

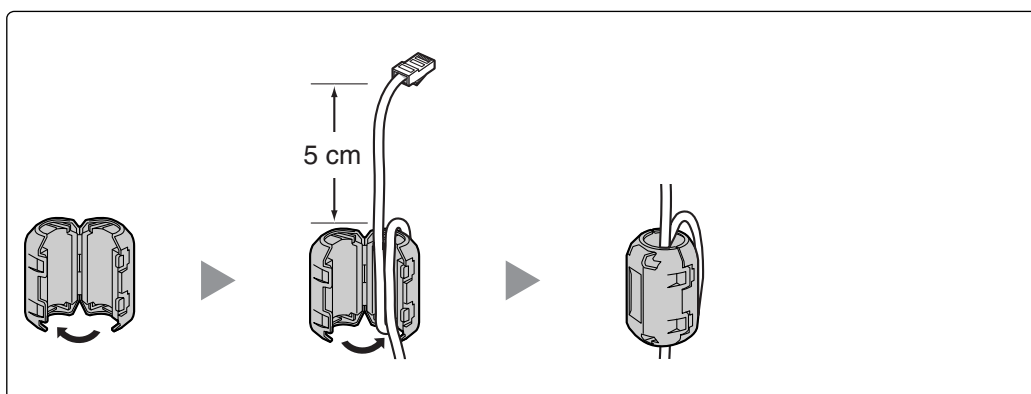
Note

In Canada, the ferrite core is not necessarily required for the T1 and PRI23 cards.

Attaching to an RJ45 Connector

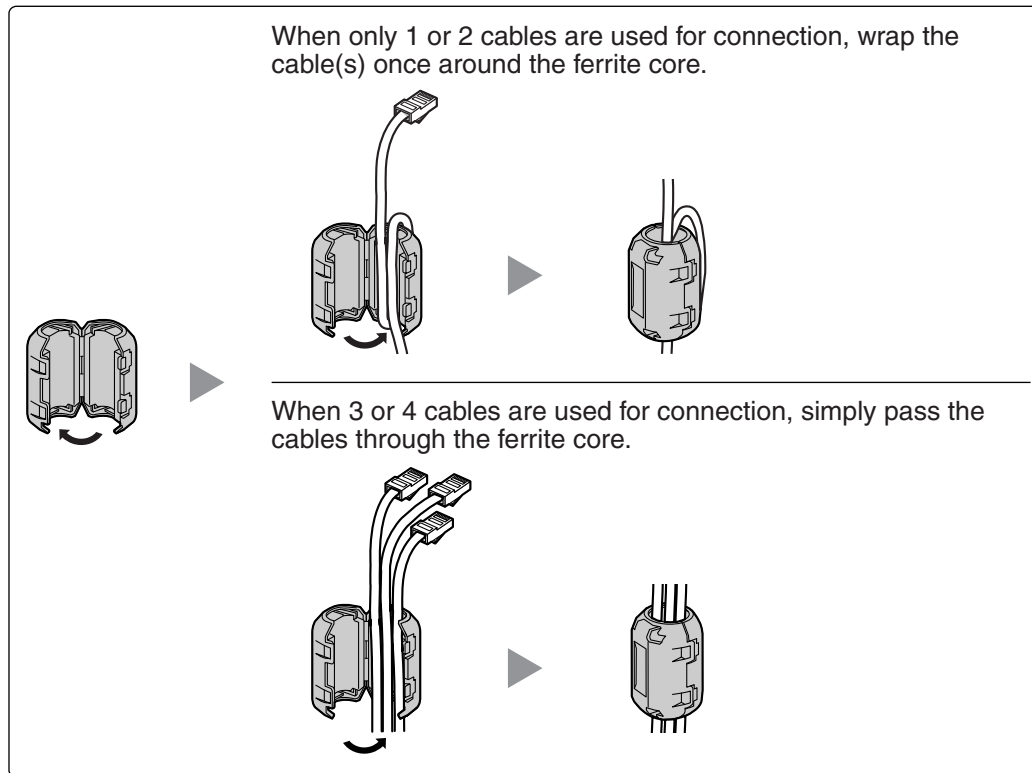
For T1/E1/PRI/IP-GW16/IP-EXT16 Cards

Wrap the cable once around the ferrite core, then close the case of the ferrite core. Attach the ferrite core 5 cm away from the connector. The ferrite core is included with the card.



For a BRI Card

Attach the ferrite core, then close the case of the ferrite core. Attach the ferrite core as close to the card's connector as possible. The ferrite core is included with the card.



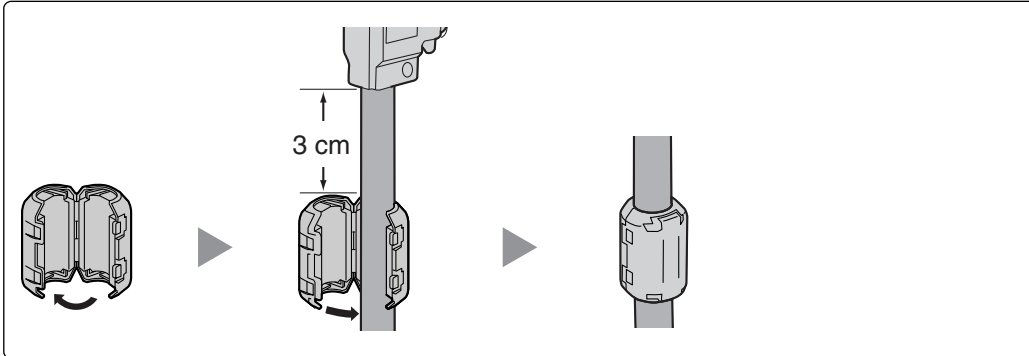
Note

For every 4 cables, use 1 ferrite core; a ferrite core holds a maximum of 4 cables.

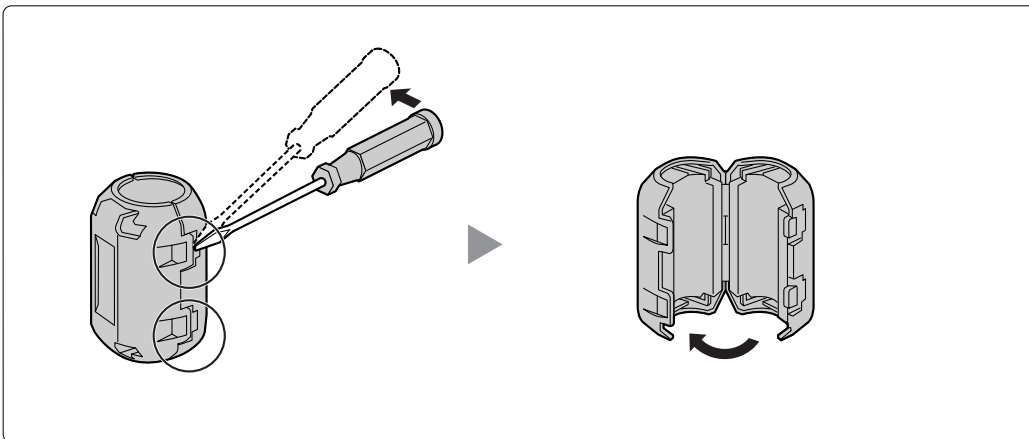
Attaching to an Amphenol Connector

For Extension Cards

Pass the cable through the ferrite core, then close the case of the ferrite core. Attach the ferrite core 3 cm away from the connector. The ferrite core is included with the card.



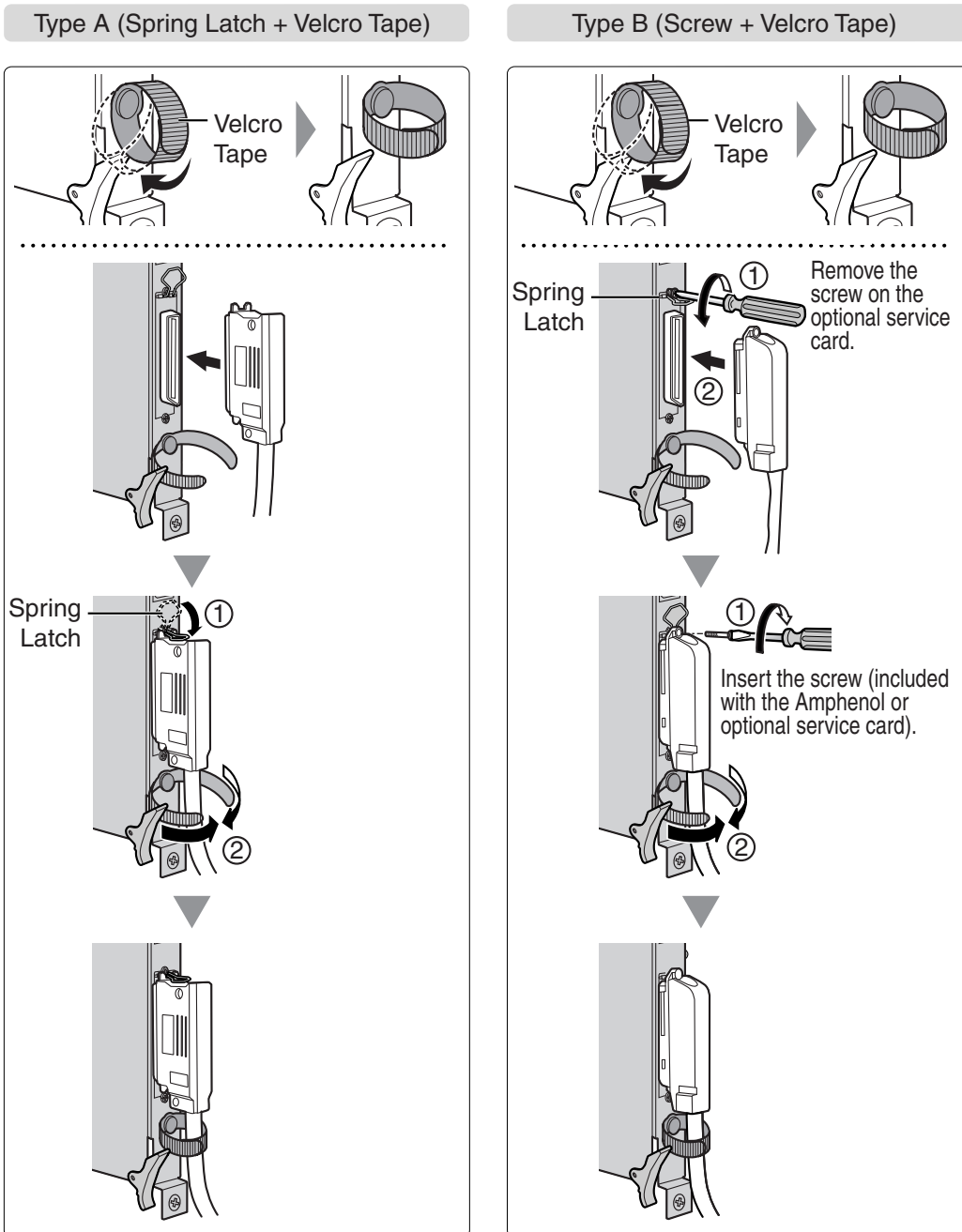
If you need to open the ferrite core, use a flathead screwdriver to unlatch the case of the ferrite core.



2.2.16 Fastening an Amphenol Connector

An Amphenol 57JE-type connector is used on some of the optional service cards.

To connect an Amphenol connector, use the spring latch or screw to fix the upper part and use Velcro® tape to fix the lower part of the connector.



Amphenol Connector Pin Assignment Chart

Below is an Amphenol connector pin assignment chart for all optional service cards that use the Amphenol connector. For more details, refer to the appropriate section in "2.6 Information about the Trunk Cards" and "2.7 Information about the Extension Cards".

Pin No.	ELCOT16	DID8	E&M8	DHLC8	DLC8	DLC16	EMSLC16	ECSLC24	CSLC16	ESLC16	SLC8
1	RA	RA	TA	RA		D2A	RA	RA	RA	RA	RA
26	TA	TA	RA	TA		D1A	TA	TA	TA	TA	TA
2	RB	RB	T1A	D2A	D2A	D2B	RB	RB	RB	RB	
27	TB	TB	R1A	D1A	D1A	D1B	TB	TB	TB	TB	
3	RC	RC	EA			D2C	RC	RC	RC	RC	
28	TC	TC	MA			D1C	TC	TC	TC	TC	
4	RD	RD	SGA	RB		D2D	RD	RD	RD	RD	RB
29	TD	TD	SGB	TB		D1D	TD	TD	TD	TD	TB
5	RE	RE	TB	D2B	D2B	D2E	RE	RE	RE	RE	
30	TE	TE	RB	D1B	D1B	D1E	TE	TE	TE	TE	
6	RF	RF	T1B			D2F	RF	RF	RF	RF	
31	TF	TF	R1B			D1F	TF	TF	TF	TF	
7	RG	RG	EB	RC		D2G	RG	RG	RG	RG	RC
32	TG	TG	MB	TC		D1G	TG	TG	TG	TG	TC
8	RH	RH	TC	D2C	D2C	D2H	RH	RH	RH	RH	
33	TH	TH	RC	D1C	D1C	D1H	TH	TH	TH	TH	
9	RI		T1C			D2I	RI	RI	RI	RI	
34	TI		R1C			D1I	TI	TI	TI	TI	
10	RJ		EC	RD		D2J	RJ	RJ	RJ	RJ	RD
35	TJ		MC	TD		D1J	TJ	TJ	TJ	TJ	TD
11	RK		TD	D2D	D2D	D2K	RK	RK	RK	RK	
36	TK		RD	D1D	D1D	D1K	TK	TK	TK	TK	
12	RL		T1D			D2L	RL	RL	RL	RL	
37	TL		R1D			D1L	TL	TL	TL	TL	
13	RM		ED	RE		D2M	RM	RM	RM	RM	RE
38	TM		MD	TE		D1M	TM	TM	TM	TM	TE
14	RN		TE	D2E	D2E	D2N	RN	RN	RN	RN	
39	TN		RE	D1E	D1E	D1N	TN	TN	TN	TN	
15	RO		T1E			D2O	RO	RO	RO	RO	
40	TO		R1E			D1O	TO	TO	TO	TO	
16	RP		EE	RF		D2P	RP	RP	RP	RP	RF
41	TP		ME	TF		D1P	TP	TP	TP	TP	TF
17			TF	D2F	D2F			RQ			
42			RF	D1F	D1F			TQ			
18			T1F					RR			
43			R1F					TR			
19			EF	RG				RS			RG
44			MF	TG				TS			TG
20			TG	D2G	D2G			RT			
45			RG	D1G	D1G			TT			
21			T1G					RU			
46			R1G					TU			
22			EG	RH				RV			RH
47			MG	TH				TV			TH
23			TH	D2H	D2H			RW			
48			RH	D1H	D1H			TW			
24			T1H					RX			
49			R1H					TX			
25			EH								
50			MH								

2.2.17 Surge Protector Installation

Overview

A massive electrical surge can be caused if lightning strikes a telephone cable 10 m above ground, or if a telephone line comes into contact with a power line. A surge protector is a device that is connected to a trunk to prevent potentially dangerous electrical surges from entering the building via the trunk and damaging the PBX and connected equipment.

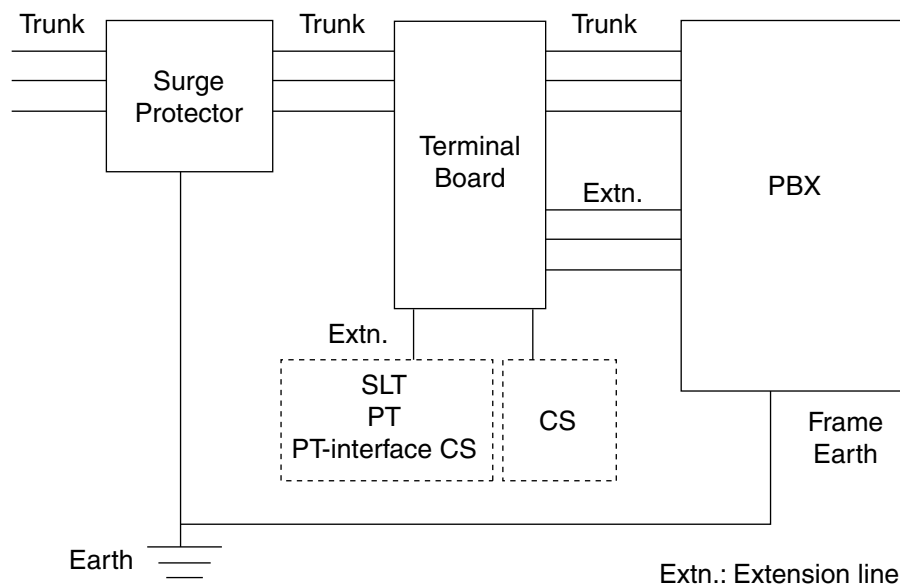
To protect the system from electrical surges, we strongly recommend connecting the system to a surge protector that meets the following specifications:

- Surge arrester type: 3-electrode arrester
- DC spark-over voltage: 230 V
- Maximum peak current: at least 10 kA

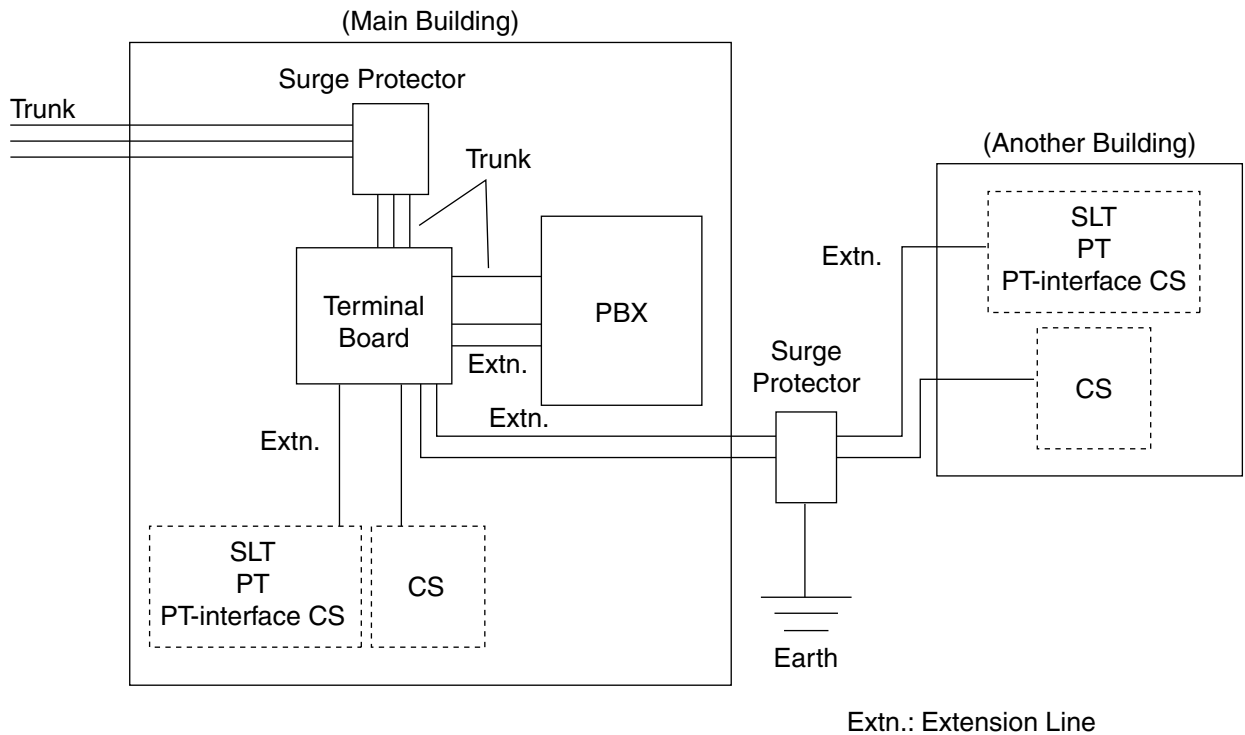
Additionally, proper earthing is very important for the protection of the system (refer to "2.2.10 Frame Earth Connection").

Many countries/areas have regulations requiring surge protection. Be sure to comply with all applicable laws, regulations, and guidelines.

Installation



Outside Installation



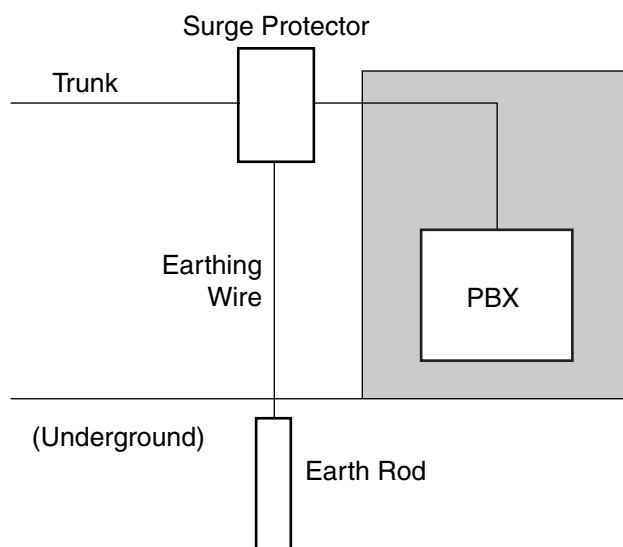
If you install an extension outside of the building, the following precautions are recommended:

- a. Install the extension wire underground.
- b. Use a conduit to protect the wire.

Note

The surge protector for an extension and CS is different from that for trunks.

Installation of an Earth Rod



2.2 Installation of the PBX

1. Connect the earth rod to the surge protector using an earthing wire with a cross-sectional area of at least 1.3 mm².
2. Bury the earth rod near the protector. The earthing wire should be as short as possible.
3. The earthing wire should run straight to the earth rod. Do not run the wire around other objects.
4. Bury the earth rod at least 50 cm underground.

Notes

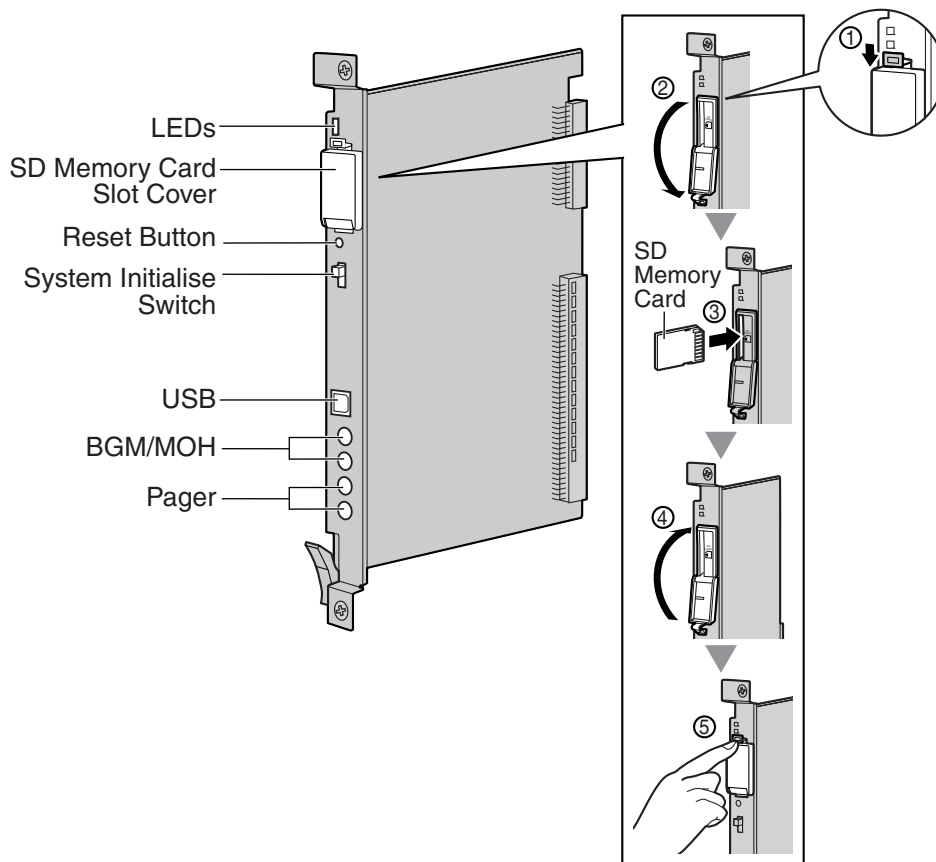
- The above figures are recommendations only.
- The length of earth rod and the required depth depend on the composition of the soil.

2.3 Information about the Main Processing Card

2.3.1 EMPR Card

Function

Contains the main processor for all processes, basic shelf main protocol, time switch (TSW) control, detection of system clock alarm, basic shelf power down alarm, and watchdog timer overflow. An EMEC card and an RMT card can be mounted on the EMPR card (refer to "2.3.2 EMEC Card (KX-TDA6105)" and "2.3.3 RMT Card (KX-TDA0196)").



Notes

- For details about connecting peripherals, refer to "2.14.1 Connection of Peripherals".
- For details about System Initialise Switch, refer to "2.16.1 Starting the PBX".
- For details about Reset Button, refer to "4.1.4 Using the Reset Button".

WARNING

A LITHIUM BATTERY IS USED IN THE EMPR CARD. THERE IS A RISK OF EXPLOSION IF THE BATTERY IS REPLACED WITH THE INCORRECT TYPE. DISPOSE OF USED BATTERIES ACCORDING TO THE MANUFACTURER'S INSTRUCTIONS.

2.3 Information about the Main Processing Card

CAUTION

- Use only the SD Memory Card included with the PBX, or a Panasonic optional upgrade SD Memory Card.
- The SD Memory Card contains software for all the processes of the PBX and all the customer data. It can be easily removed and taken away from the PBX by a third party. Therefore, do not allow unauthorised access to prevent data leakage.
- The SD Memory Card must be inserted in the SD Memory Card slot of the EMPR card before startup.
- Do not remove the SD Memory Card while power is supplied to the PBX. Doing so may cause the PBX to fail to start when you try to restart the system.
- To prevent data leakage, render the SD Memory Card physically unusable before disposal.

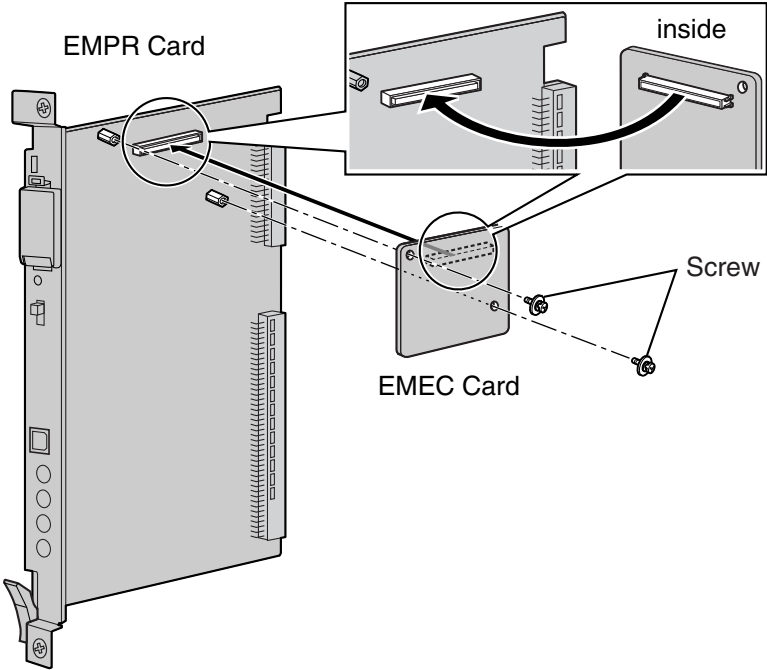
LED Indications

Indication	Colour	Description
BATT ALARM	Red	Battery alarm indication <ul style="list-style-type: none">• OFF: Normal• ON: Alarm
SD ACCESS	Green	SD memory card status <ul style="list-style-type: none">• ON: Accessing

2.3.2 EMEC Card (KX-TDA6105)

Function

Memory expansion card to increase system data storage space, enable Broadcasting and Call Billing for Guest Room features, and double the number of PSs. To be mounted on the EMPR card.



Accessories and User-supplied Items

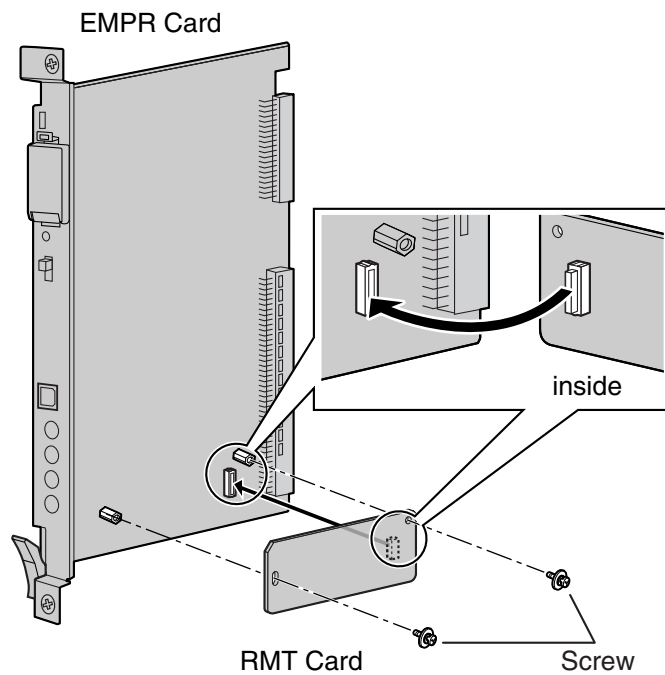
Accessories (included): Screws × 2

User-supplied (not included): none

2.3.3 RMT Card (KX-TDA0196)

Function

Analogue modem card for remote communication with the PBX. ITU-T V.90 support. To be mounted on the EMPR card.



Accessories and User-supplied Items

Accessories (included): Screws × 2

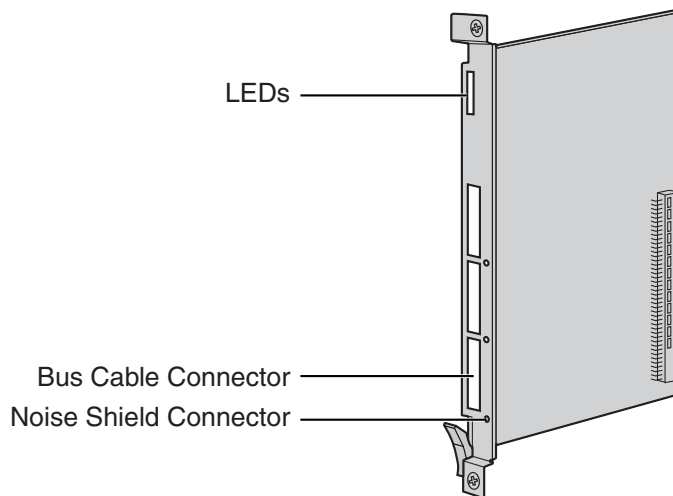
User-supplied (not included): none

2.4 Information about the Optional Shelf Expansion Cards

2.4.1 BUS-M Card (KX-TDA6110)

Function

Optional shelf expansion card required when mounting Expansion Shelves. To be installed in the Basic Shelf only.



Accessories and User-supplied Items

Accessories (included): Bus Cable × 1

User-supplied (not included): none

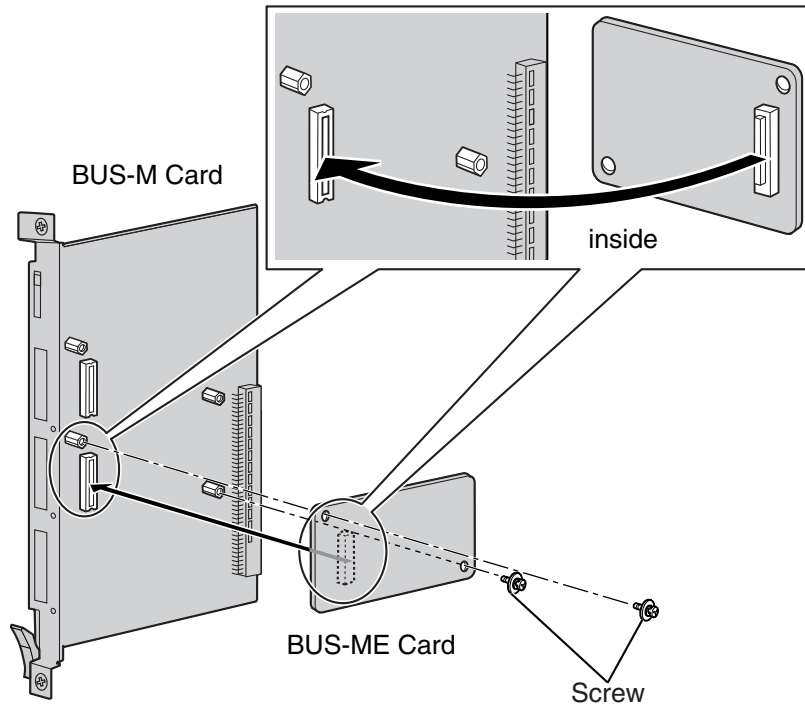
LED Indications

Indication	Colour	Description
CARD STATUS	Green	Card status indication <ul style="list-style-type: none"> • OFF: Starting up • Green ON: Normal
LINK3	Green	Link status indication for Expansion Shelf 3 <ul style="list-style-type: none"> • OFF: Connection error • ON: Normal connection
LINK2	Green	Link status indication for Expansion Shelf 2 <ul style="list-style-type: none"> • OFF: Connection error • ON: Normal connection
LINK1	Green	Link status indication for Expansion Shelf 1 <ul style="list-style-type: none"> • OFF: Connection error • ON: Normal connection

2.4.2 BUS-ME Card (KX-TDA6111)

Function

Optional shelf expansion card required when mounting Expansion Shelf 2 or 3. To be mounted on the BUS-M card installed in the Basic Shelf.



Accessories and User-supplied Items

Accessories (included): Bus Cable × 1, Screws × 2

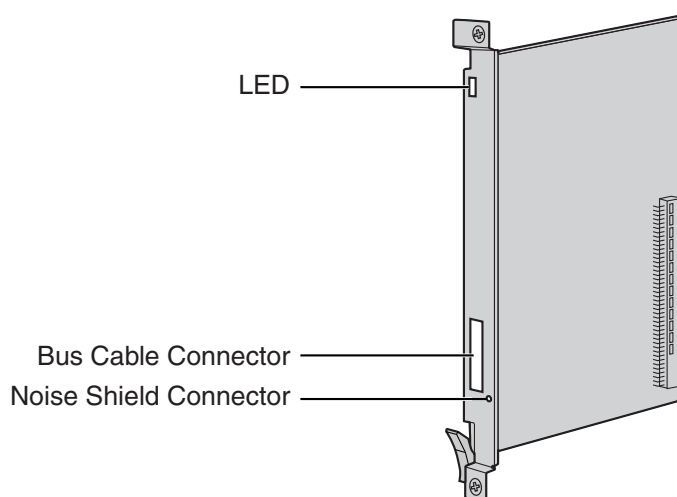
User-supplied (not included): none

2.5 Information about the Built-in Shelf Expansion Card

2.5.1 BUS-S Card

Function

Shelf expansion card, built in to an Expansion Shelf, for connecting to the Basic Shelf.



CAUTION

A LITHIUM BATTERY IS USED IN THE BUS-S CARD. THERE IS A RISK OF EXPLOSION IF THE BATTERY IS REPLACED WITH THE INCORRECT TYPE. DISPOSE OF USED BATTERIES ACCORDING TO THE MANUFACTURER'S INSTRUCTIONS.

LED Indications

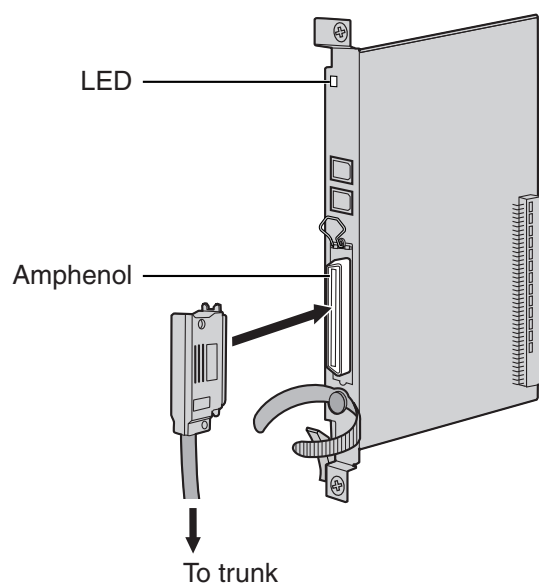
Indication	Colour	Description
CARD STATUS	Green/Red	Card status indication <ul style="list-style-type: none"> Green ON: Normal Red ON: Fault (includes reset) Red Flashing (60 times per minute): Out of Service

2.6 Information about the Trunk Cards

2.6.1 ELCOT16 Card (KX-TDA6181)

Function

16-port analogue trunk card with 4 power failure transfer (PFT) ports. A maximum of 2 CID8 cards, 2 CID/PAY8 cards, or one of each can be mounted on the ELCOT16 card (refer to "2.6.3 CID/PAY8 Card (KX-TDA0189)" and "2.6.4 CID8 Card (KX-TDA0193)").



Accessories and User-supplied Items

Accessories (included): Screws × 2

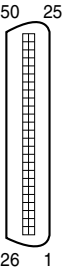
User-supplied (not included): Amphenol connector

Notes

- To connect the Amphenol connector, refer to "2.2.16 Fastening an Amphenol Connector".
- For details about power failure transfer, refer to "2.15.1 Power Failure Connections".
- To confirm the trunk connection, refer to "Confirming the Trunk Connection" in "2.16.1 Starting the PBX".

Pin Assignments

Amphenol Connector

	No.	Signal Name	Function	No.	Signal Name	Function
	1	RA	Ring port 1	26	TA	Tip port 1
	2	RB	Ring port 2	27	TB	Tip port 2
	3	RC	Ring port 3	28	TC	Tip port 3
	4	RD	Ring port 4	29	TD	Tip port 4
	5	RE	Ring port 5	30	TE	Tip port 5
	6	RF	Ring port 6	31	TF	Tip port 6
	7	RG	Ring port 7	32	TG	Tip port 7
	8	RH	Ring port 8	33	TH	Tip port 8
	9	RI	Ring port 9	34	TI	Tip port 9
	10	RJ	Ring port 10	35	TJ	Tip port 10
	11	RK	Ring port 11	36	TK	Tip port 11
	12	RL	Ring port 12	37	TL	Tip port 12
	13	RM	Ring port 13	38	TM	Tip port 13
	14	RN	Ring port 14	39	TN	Tip port 14
	15	RO	Ring port 15	40	TO	Tip port 15
	16	RP	Ring port 16	41	TP	Tip port 16
17-25	Reserved	–	42-50	Reserved	–	

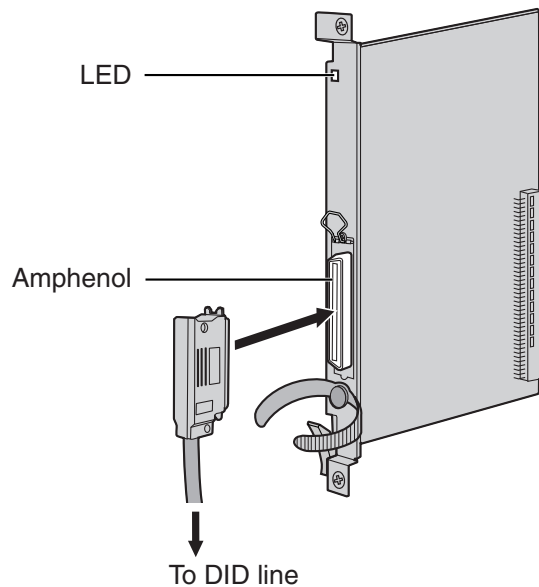
LED Indications

Indication	Colour	Description
CARD STATUS	Green/Red	Card status indication <ul style="list-style-type: none"> • OFF: Power Off • Green ON: Normal (all ports are idle) • Green Flashing (60 times per minute): Normal (a port is in use) • Red ON: Fault (includes reset) • Red Flashing (60 times per minute): Out of Service

2.6.2 DID8 Card (KX-TDA0182)

Function

8-port DID trunk card.



Accessories and User-supplied Items

Accessories (included): Screws × 2

User-supplied (not included): Amphenol connector

Notes

- To connect the Amphenol connector, refer to "2.2.16 Fastening an Amphenol Connector".
- To confirm the trunk connection, refer to "Confirming the Trunk Connection" in "2.16.1 Starting the PBX".

Pin Assignments

Amphenol Connector

	No.	Signal Name	Function	No.	Signal Name	Function
	1	RA	Ring port 1	26	TA	Tip port 1
	2	RB	Ring port 2	27	TB	Tip port 2
	3	RC	Ring port 3	28	TC	Tip port 3
	4	RD	Ring port 4	29	TD	Tip port 4
	5	RE	Ring port 5	30	TE	Tip port 5
	6	RF	Ring port 6	31	TF	Tip port 6
	7	RG	Ring port 7	32	TG	Tip port 7
	8	RH	Ring port 8	33	TH	Tip port 8
9-25	Reserved	–	34-50	Reserved	–	

LED Indications

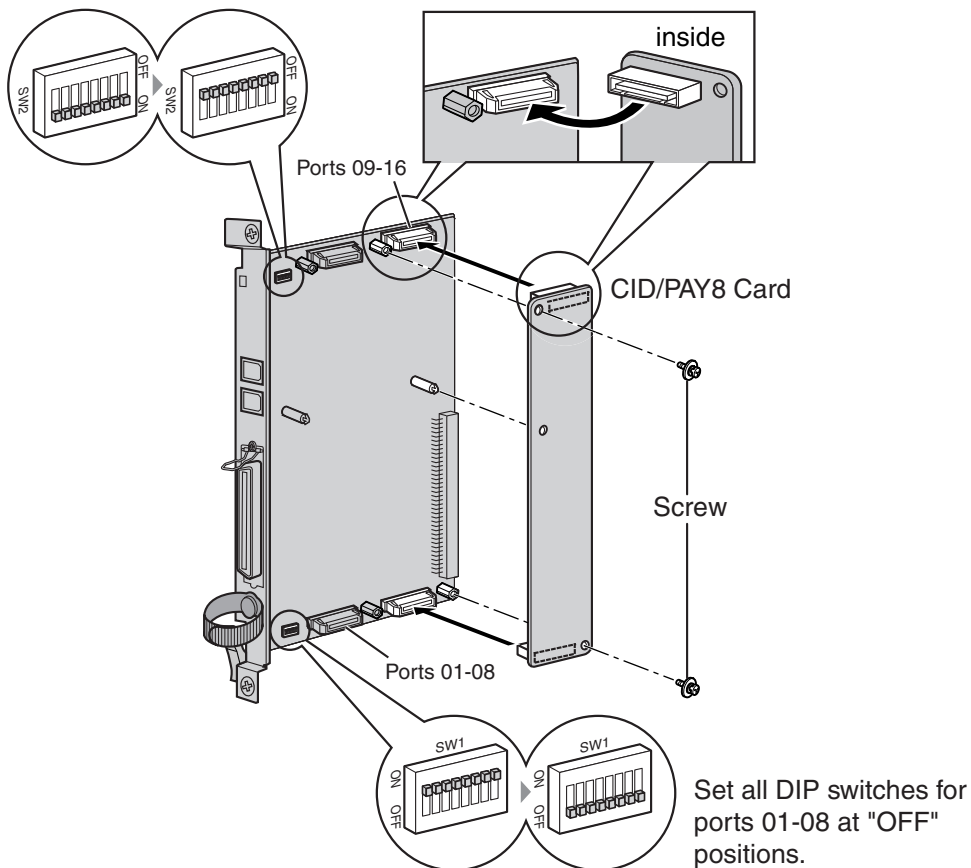
Indication	Colour	Description
CARD STATUS	Green/Red	Card status indication <ul style="list-style-type: none">• OFF: Power Off• Green ON: Normal (all ports are idle)• Green Flashing (60 times per minute): Normal (a port is in use)• Red ON: Fault (includes reset)• Red Flashing (60 times per minute): Out of Service

2.6.3 CID/PAY8 Card (KX-TDA0189)

Function

8-port Caller ID signal type FSK/FSK (with Call Waiting Caller ID [Visual Caller ID])/DTMF, and 8-port Pay Tone Service (12 kHz/16 kHz). To be mounted on the ELCOT16 card.

Set all DIP switches for ports 09-16 at "OFF" positions.



Accessories and User-supplied Items

Accessories (included): Screws × 2

User-supplied (not included): none

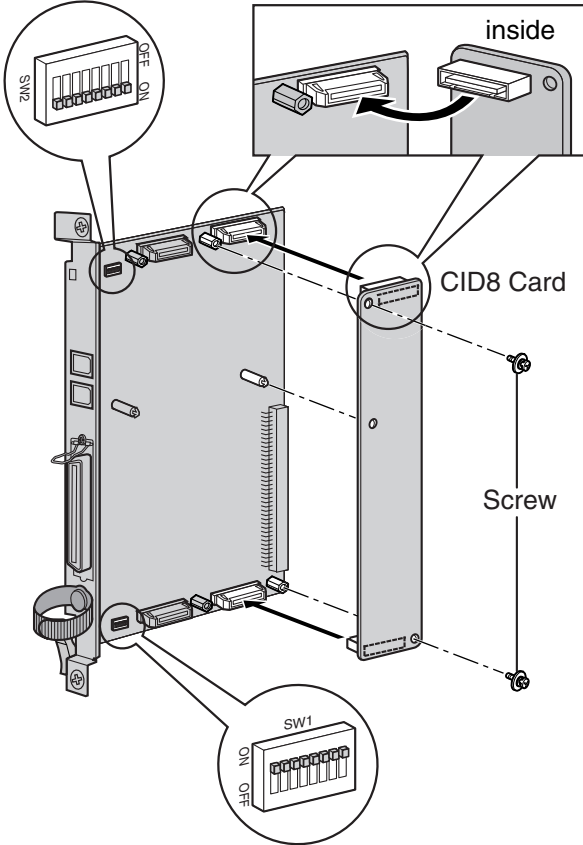
Switch Settings (on ELCOT16 card)

Switch	Type	Usage and Status Definition
Port Setting	DIP	Set all DIP switches at "OFF" positions.

2.6.4 CID8 Card (KX-TDA0193)

Function

8-port Caller ID signal type FSK/FSK (with Call Waiting Caller ID [Visual Caller ID])/DTMF. To be mounted on the ELCOT16 card.



Accessories and User-supplied Items

Accessories (included): Screws × 2

User-supplied (not included): none

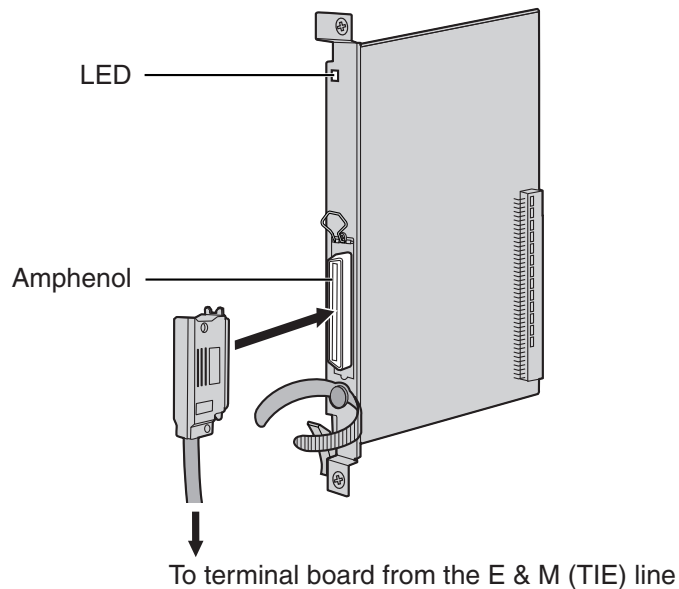
Switch Settings (on ELCOT16 card)

Switch	Type	Usage and Status Definition
Port Setting	DIP	Keep all DIP switches at default "ON" positions. Do not change the positions of these switches.

2.6.5 E&M8 Card (KX-TDA0184)

Function

8-port E & M (TIE) trunk card. Type 5 support.



Accessories and User-supplied Items

Accessories (included): Screws × 2

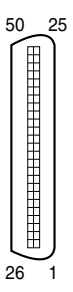
User-supplied (not included): Amphenol connector

Notes

- Connect this optional service card to the trunk through terminal board from the E & M (TIE) line; do not connect to the trunk directly.
- To connect the Amphenol connector, refer to "2.2.16 Fastening an Amphenol Connector".
- To confirm the trunk connection, refer to "Confirming the Trunk Connection" in "2.16.1 Starting the PBX".

Pin Assignments

Amphenol Connector



No.	Signal Name	Function	No.	Signal Name	Function
1	TA	Tip port 1	26	RA	Ring port 1
2	T1A	Tip 1 port 1	27	R1A	Ring 1 port 1
3	EA	E line port 1	28	MA	M line port 1
4	SGA	SG line port 1	29	SGB	SG line port 2
5	TB	Tip port 2	30	RB	Ring port 2
6	T1B	Tip 1 port 2	31	R1B	Ring 1 port 2
7	EB	E line port 2	32	MB	M line port 2
8	TC	Tip port 3	33	RC	Ring port 3
9	T1C	Tip 1 port 3	34	R1C	Ring 1 port 3
10	EC	E line port 3	35	MC	M line port 3
11	TD	Tip port 4	36	RD	Ring port 4
12	T1D	Tip 1 port 4	37	R1D	Ring 1 port 4
13	ED	E line port 4	38	MD	M line port 4
14	TE	Tip port 5	39	RE	Ring port 5
15	T1E	Tip 1 port 5	40	R1E	Ring 1 port 5
16	EE	E line port 5	41	ME	M line port 5
17	TF	Tip port 6	42	RF	Ring port 6
18	T1F	Tip 1 port 6	43	R1F	Ring 1 port 6
19	EF	E line port 6	44	MF	M line port 6
20	TG	Tip port 7	45	RG	Ring port 7
21	T1G	Tip 1 port 7	46	R1G	Ring 1 port 7
22	EG	E line port 7	47	MG	M line port 7
23	TH	Tip port 8	48	RH	Ring port 8
24	T1H	Tip 1 port 8	49	R1H	Ring 1 port 8
25	EH	E line port 8	50	MH	M line port 8

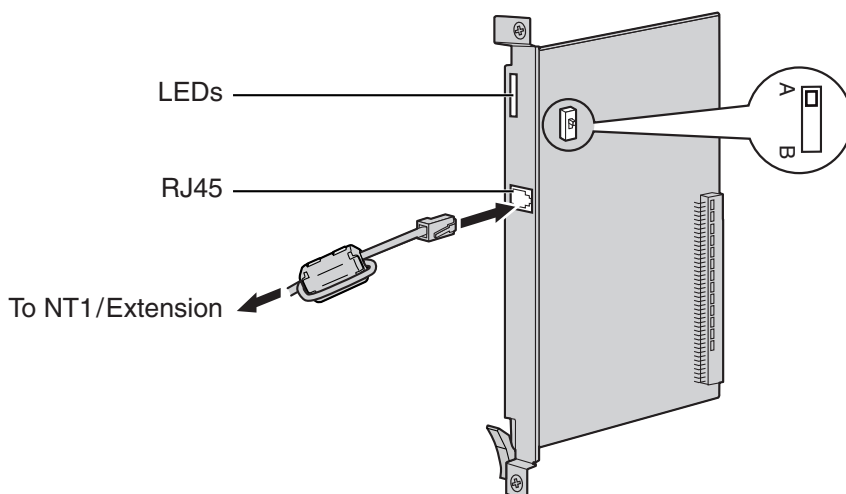
LED Indications

Indication	Colour	Description
CARD STATUS	Green/Red	Card status indication <ul style="list-style-type: none">• OFF: Power Off• Green ON: Normal (all ports are idle)• Green Flashing (60 times per minute): Normal (a port is in use)• Red ON: Fault (includes reset)• Red Flashing (60 times per minute): Out of Service

2.6.6 T1 Card (KX-TDA0187)

Function

1-port T1 trunk card. EIA/TIA standard compliant.



Accessories and User-supplied Items

Accessories (included): Ferrite core × 1

User-supplied (not included): RJ45 connector

Notes

- When connecting this optional service card to the trunk, connect through NT1; do not connect to the trunk directly.
- When connecting the RJ45 connector, attach the included ferrite core (except in Canada, where the ferrite core is not necessarily required). Refer to "2.2.15 Attaching a Ferrite Core".
- This optional service card can be used for either trunk or extension connection, by setting the A/B switch or using the connector with appropriate pin assignments.
- To confirm the trunk connection, refer to "Confirming the Trunk Connection" in "2.16.1 Starting the PBX".

CAUTION

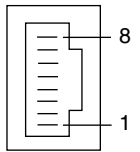
T1 ports are SELV ports and should only be connected to SELV services.

Switch Settings

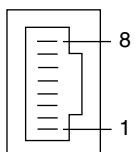
Switch	Type	Usage and Status Definition
A/B	Slide	Select A (default) for trunk or B for extension use.

Pin Assignments

RJ45 Connector for Trunk Use

	No.	Signal Name	Level [V]	Function
	1	RX+	(+)	Receive data (+)
	2	RX-	(-)	Receive data (-)
	3	Reserved	–	–
	4	TX-	(-)	Transmit data (-)
	5	TX+	(+)	Transmit data (+)
	6-8	Reserved	–	–

RJ45 Connector for Extension Use

	No.	Signal Name	Level [V]	Function
	1	TX-	(-)	Transmit data (-)
	2	TX+	(+)	Transmit data (+)
	3	Reserved	–	–
	4	RX+	(+)	Receive data (+)
	5	RX-	(-)	Receive data (-)
	6-8	Reserved	–	–

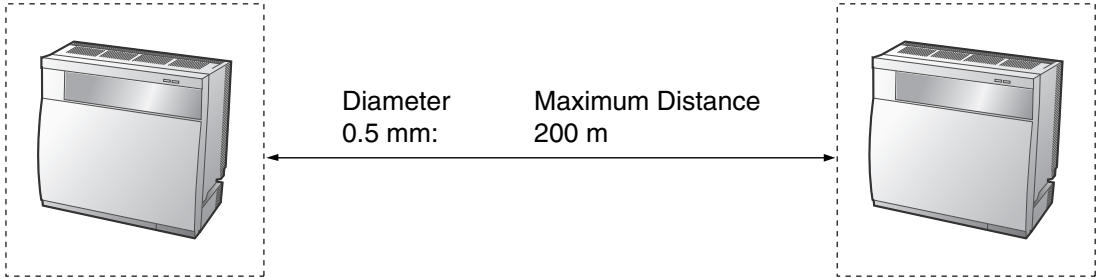
LED Indications

Indication	Colour	Description
CARD STATUS	Green/Red	Card status indication <ul style="list-style-type: none"> • OFF: Power Off • Green ON: Normal (all ports are idle) • Green Flashing (60 times per minute): Normal (a port is in use) • Red ON: Fault (includes reset) • Red Flashing (60 times per minute): Out of Service
SYNC-ERR	Red	Non-synchronisation status indication <ul style="list-style-type: none"> • OFF: Normal • ON: Out of synchronisation
RAI	Red	RAI signal status indication <ul style="list-style-type: none"> • OFF: Normal • ON: Alarm (Clock Slave) • Flashing (60 times per minute): Alarm (Clock Master)
AIS	Red	AIS status indication <ul style="list-style-type: none"> • OFF: Normal • ON: Alarm

Indication	Colour	Description
SYNC	Green	Synchronisation status indication <ul style="list-style-type: none">• OFF: Not synchronised• ON: Synchronised• Flashing (60 times per minute): Synchronised (Clock Master)

Maximum Cabling Distance of Extension Connection

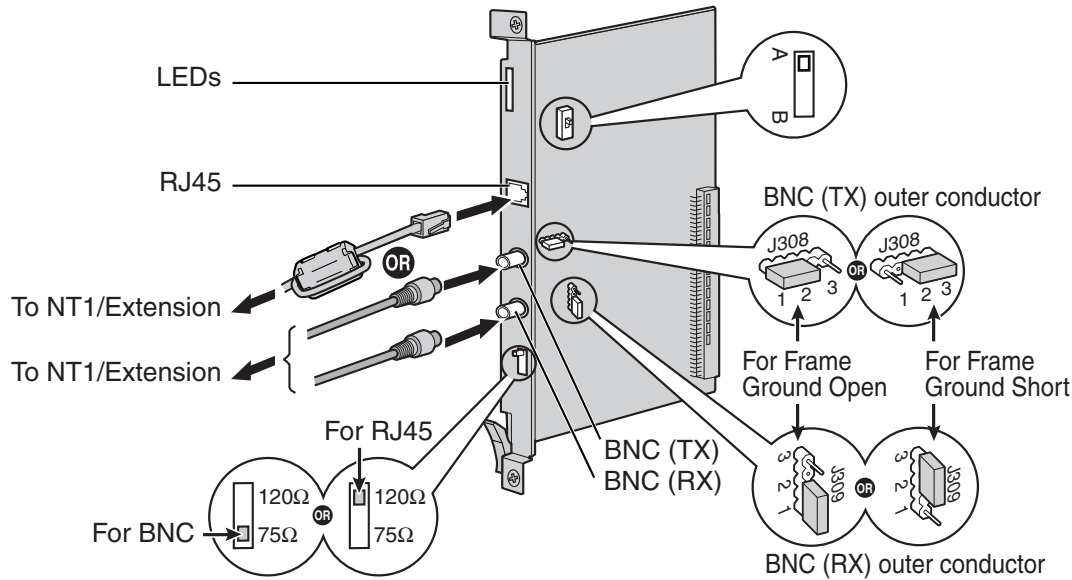
The maximum length of the extension cable that connects the T1 cards is shown below:



2.6.7 E1 Card (KX-TDA0188)

Function

1-port E1 trunk card. ITU-T standard compliant.



Accessories and User-supplied Items

Accessories (included): Ferrite core × 1

User-supplied (not included): RJ45 or BNC connector

Notes

- In some countries/areas, this optional service card must not be connected to the Public Switched Telephone Network.
- When connecting this optional service card to the trunk, connect through NT1; do not connect to the trunk directly.
- Use only 1 type of connector (RJ45 or BNC) for connection; RJ45 and BNC cannot be used simultaneously.
- When connecting the RJ45 connector, attach the included ferrite core. Refer to "2.2.15 Attaching a Ferrite Core".
- This optional service card can be used for either trunk or extension connection, by setting the A/B switch or using the connector with appropriate pin assignments.
- To confirm the trunk connection, refer to "Confirming the Trunk Connection" in "2.16.1 Starting the PBX".

CAUTION

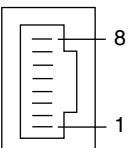
E1 ports are SELV ports and should only be connected to SELV services.

Switch Settings

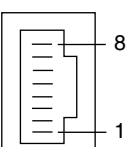
Switch	Type	Usage and Status Definition
Termination	Slide	Select 120 Ω (default) or 75 Ω to match the connector type to be used.
A/B	Slide	When using an RJ45 connector, select A (default) for trunk or B for extension use. When using BNC connectors, make sure that A is selected.
Frame Ground Short	Short pin	J308 is for BNC (TX) outer conductor, and J309 is for BNC (RX) outer conductor. Connection of 1 and 2: Open (default) Connection of 2 and 3: Short

Pin Assignments

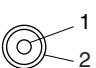
RJ45 Connector for Trunk Use

	No.	Signal Name	Level [V]	Function
	1	RX+	(+)	Receive data (+)
	2	RX-	(-)	Receive data (-)
	3	Reserved	–	–
	4	TX-	(-)	Transmit data (-)
	5	TX+	(+)	Transmit data (+)
	6-8	Reserved	–	–

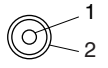
RJ45 Connector for Extension use

	No.	Signal Name	Level [V]	Function
	1	TX-	(-)	Transmit data (-)
	2	TX+	(+)	Transmit data (+)
	3	Reserved	–	–
	4	RX+	(+)	Receive data (+)
	5	RX-	(-)	Receive data (-)
	6-8	Reserved	–	–

BNC (coaxial) Connector (TX)

	No.	Signal Name	Level [V]	Function
	1	TX+	(+)	Transmit data (+)
	2	TX-	(-)	Transmit data (-)

BNC (coaxial) Connector (RX)

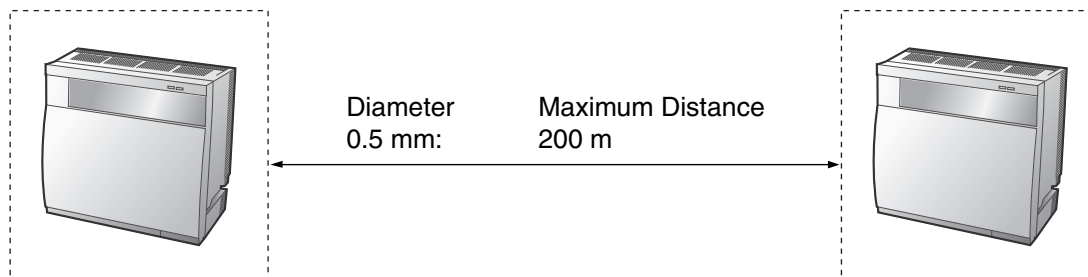
	No.	Signal Name	Level [V]	Function
	1	RX-	(-)	Receive data (-)
	2	RX+	(+)	Receive data (+)

LED Indications

Indication	Colour	Description
CARD STATUS	Green/Red	Card status indication <ul style="list-style-type: none"> • OFF: Power Off • Green ON: Normal (all ports are idle) • Green Flashing (60 times per minute): Normal (a port is in use) • Red ON: Fault (includes reset) • Red Flashing (60 times per minute): Out of Service
SYNC-ERR	Red	Non-synchronisation status indication <ul style="list-style-type: none"> • OFF: Normal • ON: Out of synchronisation
RAI	Red	RAI signal status indication <ul style="list-style-type: none"> • OFF: Normal • ON: Alarm (Clock Slave) • Flashing (60 times per minute): Alarm (Clock Master)
AIS	Red	AIS status indication <ul style="list-style-type: none"> • OFF: Normal • ON: Alarm
SYNC	Green	Synchronisation status indication <ul style="list-style-type: none"> • OFF: Not synchronised • ON: Synchronised • Flashing (60 times per minute): Synchronised (Clock Master)

Maximum Cabling Distance of Extension Connection

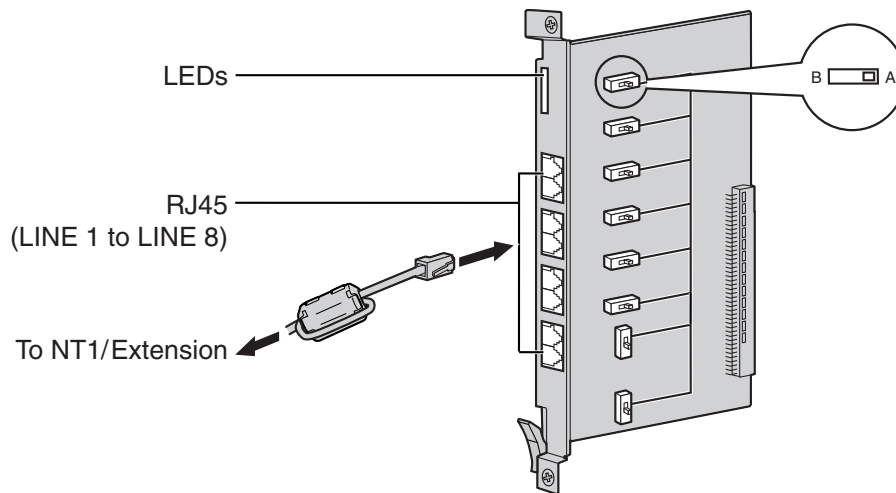
The maximum length of the extension cable that connects the E1 cards is shown below:



2.6.8 BRI4 Card (KX-TDA0284) and BRI8 Card (KX-TDA0288)

Function

- BRI4:** 4-port ISDN Basic Rate Interface card with 1 power failure transfer port. EURO-ISDN/ETSI compliant.
- BRI8:** 8-port ISDN Basic Rate Interface card with 1 power failure transfer port. EURO-ISDN/ETSI compliant.



Accessories and User-supplied Items

Accessories (included): Ferrite core(s) × 1 (BRI4 card) or 2 (BRI8 card)

User-supplied (not included): RJ45 connector

Notes

- LINE 5 to LINE 8 are for BRI8 card only.
- When connecting these optional service cards to the trunk, connect through an NT1; do not connect to the U interface of the trunk directly.
- These optional service cards have 100 Ω of terminal resistance. For use in point to multi-point connection, the cards must be placed at the end of the bus.
- When connecting the RJ45 connector, attach the included ferrite core. Refer to "2.2.15 Attaching a Ferrite Core".
- These optional service cards can be used for either trunk or extension connection, by setting the A/B switch or using the connector with appropriate pin assignments.
- For details about power failure transfer, refer to "2.15.1 Power Failure Connections".
- To confirm the trunk connection, refer to "Confirming the Trunk Connection" in "2.16.1 Starting the PBX".

Notice

If the connected ISDN terminal has no external power source, make sure that the power is supplied from the BRI4/BRI8 card by programming the PBX accordingly.

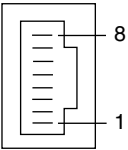
However, if there is an external power source to the terminal, make sure that there is no power supplied to the terminal from the BRI4/BRI8 card. Failure to do so may cause damage to the power supply circuit of the BRI4/BRI8 card or the terminal.

Switch Settings

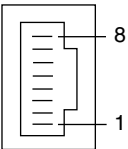
Switch	Type	Usage and Status Definition
A/B	Slide	Select A (default) for trunk or B for extension use.

Pin Assignments

RJ45 Connector for Trunk Use

	No.	Signal Name	Level [V]	Function
	1-2	Reserved	–	–
	3	TX1	(+)	Transmit data 1
	4	RX2	(+)	Receive data 2
	5	RX1	(-)	Receive data 1
	6	TX2	(-)	Transmit data 2
	7-8	Reserved	–	–

RJ45 Connector for Extension Use

	No.	Signal Name	Level [V]	Function
	1-2	Reserved	–	–
	3	RX2	(+)	Receive data 2
	4	TX1	(+)	Transmit data 1
	5	TX2	(-)	Transmit data 2
	6	RX1	(-)	Receive data 1
	7-8	Reserved	–	–

LED Indications

Indication	Colour	Description
CARD STATUS	Green/Red	Card status indication <ul style="list-style-type: none"> • OFF: Power Off • Green ON: Normal (all ports are idle) • Green Flashing (60 times per minute): Normal (a port is in use) • Red ON: Fault (includes reset) • Red Flashing (60 times per minute): Out of Service

Indication	Colour	Description
LINE 8 LINE 7 LINE 6 LINE 5 LINE 4 LINE 3 LINE 2 LINE 1	Green	Line status indication (LINE 1 to LINE 8): Refer to "LINE LED Pattern" below for details. Note LINE 5 to LINE 8 are for BRI8 card only.

LINE LED Pattern

Layer 1	Layer 2	Master Clock	LED Pattern
OFF	OFF	OFF	
ON	OFF	OFF	
ON	ON	OFF	
ON	OFF	ON	
ON	ON	ON	

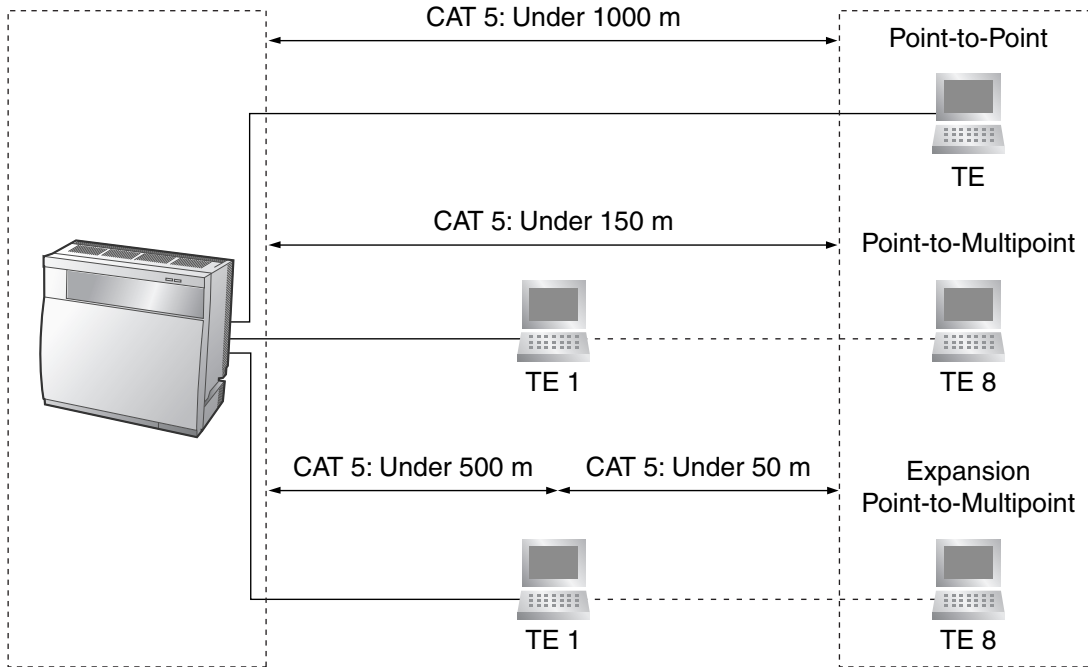
Layer 1: ON (Synchronous)

Layer 2: ON (Link established)/OFF (Link not established)

Master Clock: ON (Master)/OFF (Slave)

Maximum Cabling Distance of S0 Bus Connection

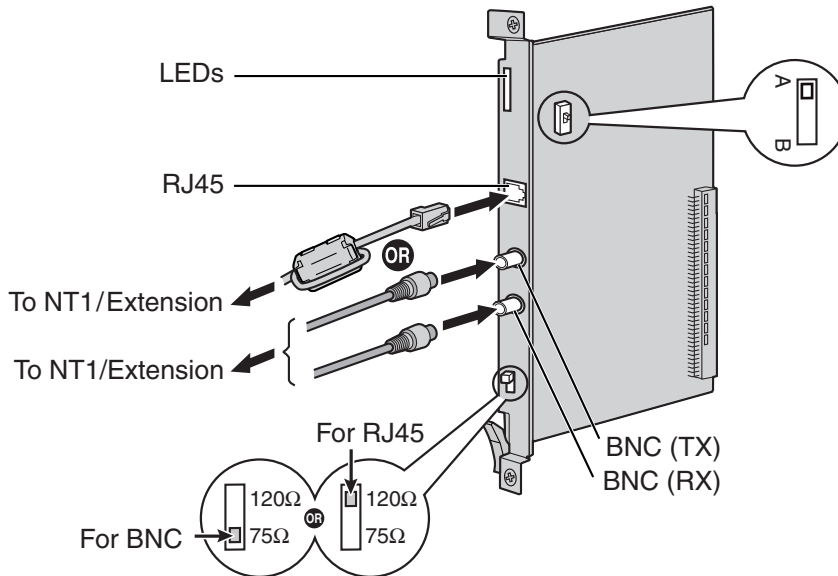
The maximum length of the extension cable that connects the PBX and the ISDN terminal equipment (TE) is shown below:



2.6.9 PRI30 Card (KX-TDA0290CE/CJ)

Function

1-port ISDN Primary Rate Interface card (30B channels). EURO-ISDN/ETSI compliant.



Accessories and User-supplied Items

Accessories (included): Ferrite core × 1

User-supplied (not included): RJ45 or BNC connector

Notes

- In some countries/areas, this optional service card must not be connected to the Public Switched Telephone Network.
- When connecting this optional service card to the trunk, connect through an NT1; do not connect to the U interface of the trunk directly.
- Use only 1 type of connector (RJ45 or BNC) for connection; RJ45 and BNC cannot be used simultaneously.
- When connecting the RJ45 connector, attach the included ferrite core. Refer to "2.2.15 Attaching a Ferrite Core".
- This optional service card can be used for either trunk or extension connection, by setting the A/B switch or using the connector with appropriate pin assignments.
- To confirm the trunk connection, refer to "Confirming the Trunk Connection" in "2.16.1 Starting the PBX".

CAUTION

PRI ports are SELV ports and should only be connected to SELV services.

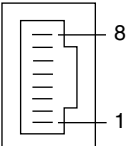
Switch Settings

Switch	Type	Usage and Status Definition
Termination	Slide	Select 120 Ω (default) or 75 Ω to match the connector type to be used.
A/B	Slide	When using an RJ45 connector, select A (default) for trunk or B for extension use. When using BNC connectors, make sure that A is selected.

Pin Assignments

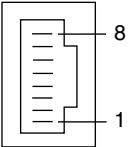
RJ45 Connector for Trunk Use

No.	Signal Name	Level [V]	Function
1	RX+	(+)	Receive data (+)
2	RX-	(-)	Receive data (-)
3	Reserved	-	-
4	TX-	(-)	Transmit data (-)
5	TX+	(+)	Transmit data (+)
6-8	Reserved	-	-



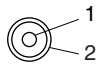
RJ45 Connector for Extension Use

No.	Signal Name	Level [V]	Function
1	TX-	(-)	Transmit data (-)
2	TX+	(+)	Transmit data (+)
3	Reserved	-	-
4	RX+	(+)	Receive data (+)
5	RX-	(-)	Receive data (-)
6-8	Reserved	-	-

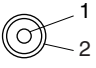


BNC (coaxial) Connector (TX)

No.	Signal Name	Level [V]	Function
1	TX+	(+)	Transmit data (+)
2	TX-	(-)	Transmit data (-)



BNC (coaxial) Connector (RX)

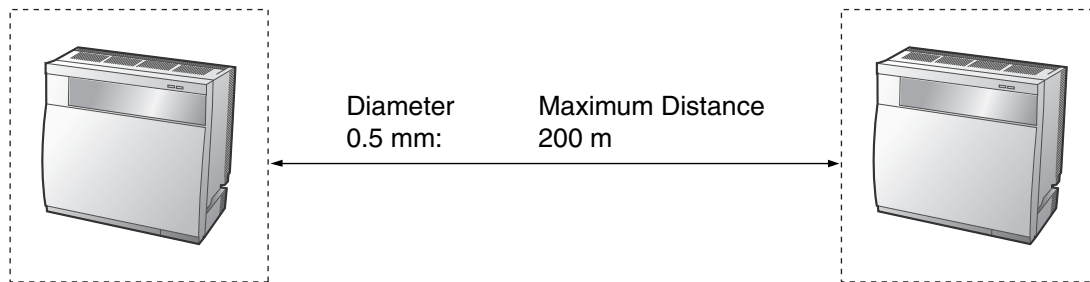
	No.	Signal Name	Level [V]	Function
	1	RX-	(-)	Receive data (-)
	2	RX+	(+)	Receive data (+)

LED Indications

Indication	Colour	Description
CARD STATUS	Green/Red	Card status indication <ul style="list-style-type: none"> • OFF: Power Off • Green ON: Normal (all ports are idle) • Green Flashing (60 times per minute): Normal (a port is in use) • Red ON: Fault (includes reset) • Red Flashing (60 times per minute): Out of Service
SYNC-ERR	Red	Non-synchronisation status indication <ul style="list-style-type: none"> • OFF: Normal • ON: Out of synchronisation
RAI	Red	RAI signal status indication <ul style="list-style-type: none"> • OFF: Normal • ON: Alarm (Clock Slave) • Flashing (60 times per minute): Alarm (Clock Master)
AIS	Red	AIS status indication <ul style="list-style-type: none"> • OFF: Normal • ON: Alarm
SYNC	Green	Synchronisation status indication <ul style="list-style-type: none"> • OFF: Not synchronised • ON: Synchronised • Flashing (60 times per minute): Synchronised (Clock Master)
D-LINK	Green	Data link status indication <ul style="list-style-type: none"> • OFF: Not established • ON: Established

Maximum Cabling Distance of Extension Connection

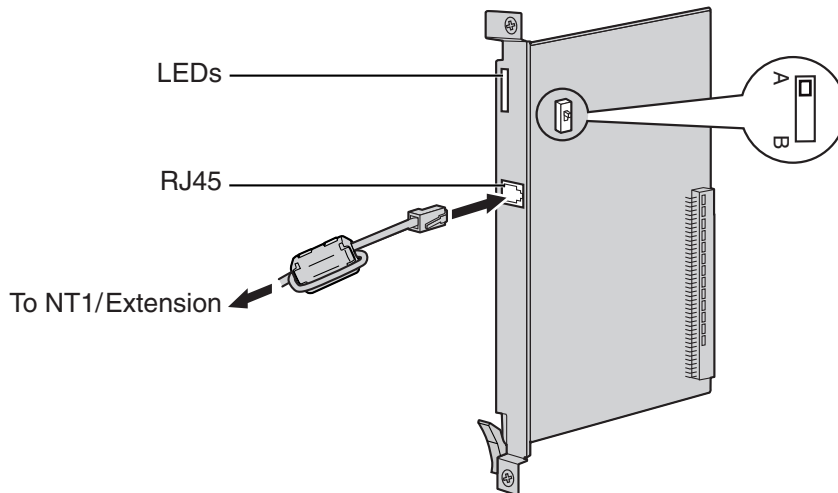
The maximum length of the extension cable that connects the PRI30 cards is shown below:



2.6.10 PRI23 Card (KX-TDA0290)

Function

1-port ISDN Primary Rate Interface card (23B channels). NI (North American standard ISDN protocol) compliant.



Accessories and User-supplied Items

Accessories (included): Ferrite core × 1

User-supplied (not included): RJ45 connector

Notes

- When connecting this optional service card to the trunk, connect through an NT1; do not connect to the U interface of the trunk directly.
- When connecting the RJ45 connector, attach the included ferrite core (except in Canada, where the ferrite core is not necessarily required). Refer to "2.2.15 Attaching a Ferrite Core".
- This optional service card can be used for either trunk or extension connection, by setting the A/B switch or using the connector with appropriate pin assignments.
- To confirm the trunk connection, refer to "Confirming the Trunk Connection" in "2.16.1 Starting the PBX".

CAUTION

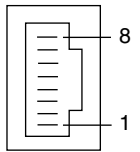
PRI ports are SELV ports and should only be connected to SELV services.

Switch Settings

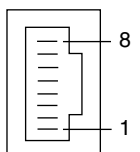
Switch	Type	Usage and Status Definition
A/B	Slide	Select A (default) for trunk or B for extension use.

Pin Assignments

RJ45 Connector for Trunk Use

	No.	Signal Name	Level [V]	Function
	1	RX+	(+)	Receive data (+)
	2	RX-	(-)	Receive data (-)
	3	Reserved	–	–
	4	TX-	(-)	Transmit data (-)
	5	TX+	(+)	Transmit data (+)
	6-8	Reserved	–	–

RJ45 Connector for Extension Use

	No.	Signal Name	Level [V]	Function
	1	TX-	(-)	Transmit data (-)
	2	TX+	(+)	Transmit data (+)
	3	Reserved	–	–
	4	RX+	(+)	Receive data (+)
	5	RX-	(-)	Receive data (-)
	6-8	Reserved	–	–

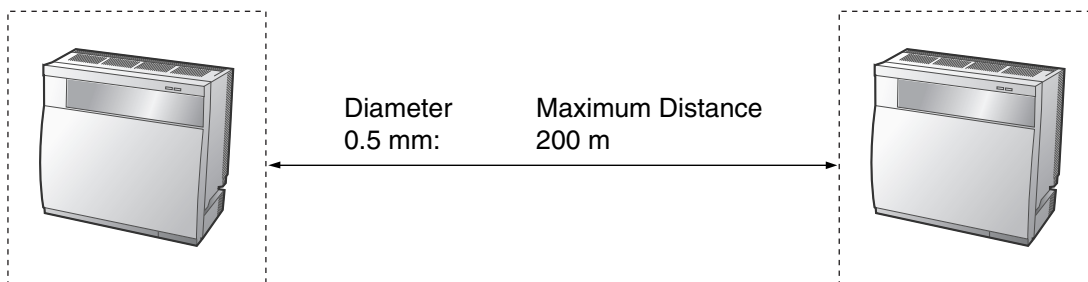
LED Indications

Indication	Colour	Description
CARD STATUS	Green/Red	Card status indication <ul style="list-style-type: none"> • OFF: Power Off • Green ON: Normal (all ports are idle) • Green Flashing (60 times per minute): Normal (a port is in use) • Red ON: Fault (includes reset) • Red Flashing (60 times per minute): Out of Service
SYNC-ERR	Red	Non-synchronisation status indication <ul style="list-style-type: none"> • OFF: Normal • ON: Out of synchronisation
RAI	Red	RAI signal status indication <ul style="list-style-type: none"> • OFF: Normal • ON: Alarm (Clock Slave) • Flashing (60 times per minute): Alarm (Clock Master)
AIS	Red	AIS status indication <ul style="list-style-type: none"> • OFF: Normal • ON: Alarm

Indication	Colour	Description
SYNC	Green	Synchronisation status indication <ul style="list-style-type: none"> • OFF: Not synchronised • ON: Synchronised • Flashing (60 times per minute): Synchronised (Clock Master)
D-LINK	Green	Data link status indication <ul style="list-style-type: none"> • OFF: Not established • ON: Established

Maximum Cabling Distance of Extension Connection

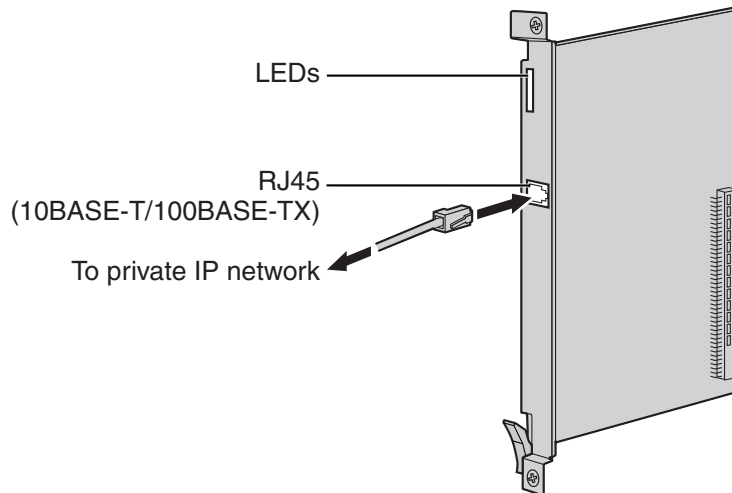
The maximum length of the extension cable that connects the PRI23 cards is shown below:



2.6.11 IP-GW4E Card (KX-TDA0484)

Function

4-channel VoIP gateway card. Compliant with VoIP H.323 V.2 protocol, and ITU-T G.729a, G.723.1, and G.711 CODEC methods.



Accessories and User-supplied Items

Accessories (included): CD-ROM (including documentation for web programming) × 1

User-supplied (not included): RJ45 connector

Notes

- The maximum length of the cable to be connected to this optional service card is 100 m.
- The IP-GW4E card occupies the space of only 1 free slot when it is installed in the PBX.
- For programming instructions and other information about the IP-GW4E card, refer to the documentation for the IP-GW4E card. To programme the IP-GW4E card, use the web programming designed for the IP-GW4E card.
- To confirm the trunk connection, refer to "Confirming the Trunk Connection" in "2.16.1 Starting the PBX".

Pin Assignments

RJ45 Connector (10BASE-T/100BASE-TX)

	No.	Signal Name	Input (I)/Output (O)	Function
	1	TPO+	O	Transmit data+
	2	TPO-	O	Transmit data-
	3	TPI+	I	Receive data+
	4-5	Reserved	—	—
	6	TPI-	I	Receive data-
	7-8	Reserved	—	—

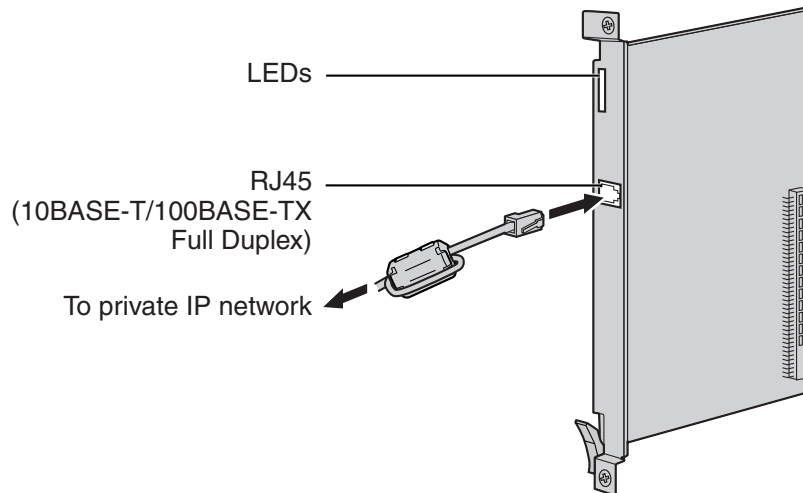
LED Indications

Indication	Colour	Description
CARD STATUS	Green/Red	Card status indication <ul style="list-style-type: none"> • OFF: Power Off • Green ON: Normal (all ports are idle) • Green Flashing (60 times per minute): Normal (a port is in use) • Red ON: Fault (includes reset) • Red Flashing (60 times per minute): Out of Service
ONLINE	Green	On-line status indication <ul style="list-style-type: none"> • ON: On-line mode • OFF: Off-line mode • Flashing: Maintenance mode <p>Note</p> <p>If the LINK indicator is OFF, the ONLINE indicator will also be OFF.</p>
ALARM	Red	Alarm indication <ul style="list-style-type: none"> • OFF: Normal • ON: Alarm
VoIP BUSY	Green	VoIP (H.323) process indication <ul style="list-style-type: none"> • OFF: VoIP process inactive • ON: VoIP process active
LINK	Green	Link status indication <ul style="list-style-type: none"> • OFF: Connection error • ON: Normal connection
DATA	Green	Data transmission indication <ul style="list-style-type: none"> • OFF: No data transmitted • ON: Data transmitting

2.6.12 IP-GW16 Card (KX-TDA0490)

Function

16-channel VoIP gateway card. Compliant with VoIP H.323 V.2 protocol, and ITU-T G.729a, G.723.1, and G.711 CODEC methods.



Accessories and User-supplied Items

Accessories (included): Ferrite core × 1, CD-ROM (including documentation for web programming) × 1

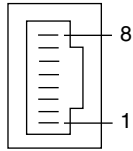
User-supplied (not included): RJ45 connector

Notes

- The maximum length of the cable to be connected to this optional service card is 100 m.
- When connecting the RJ45 connector, attach the included ferrite core. Refer to "2.2.15 Attaching a Ferrite Core".
- For programming instructions and other information about the IP-GW16 card, refer to the documentation for the IP-GW16 card. To programme the IP-GW16 card, use the web programming designed for the IP-GW16 card.
- To confirm the trunk connection, refer to "Confirming the Trunk Connection" in "2.16.1 Starting the PBX".

Pin Assignments

RJ45 Connector (10BASE-T/100BASE-TX)

	No.	Signal Name	Input (I)/Output (O)	Function
	1	TPO+	O	Transmit data+
	2	TPO-	O	Transmit data-
	3	TPI+	I	Receive data+
	4-5	Reserved	—	—
	6	TPI-	I	Receive data-
	7-8	Reserved	—	—

LED Indications

Indication	Colour	Description
CARD STATUS	Green/Red	Card status indication <ul style="list-style-type: none"> • OFF: Power Off • Green ON: Normal (all ports are idle) • Green Flashing (60 times per minute): Normal (a port is in use) • Red ON: Fault (includes reset) • Red Flashing (60 times per minute): Out of Service
ONLINE	Green	On-line status indication <ul style="list-style-type: none"> • ON: On-line mode • OFF: Off-line mode • Flashing: Maintenance mode <p>Note</p> <p>If the LINK indicator is OFF, the ONLINE indicator will also be OFF.</p>
ALARM	Red	Alarm indication <ul style="list-style-type: none"> • OFF: Normal • ON: Alarm
VoIP BUSY	Green	VoIP (H.323) process indication <ul style="list-style-type: none"> • OFF: VoIP process inactive • ON: VoIP process active
LINK	Green	Link status indication <ul style="list-style-type: none"> • OFF: Connection error • ON: Normal connection
DATA	Green	Data transmission indication <ul style="list-style-type: none"> • OFF: No data transmitted • ON: Data transmitting

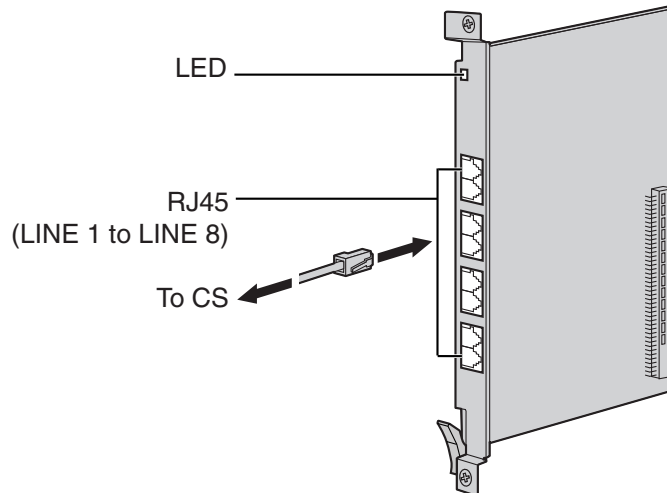
2.7 Information about the Extension Cards

2.7.1 CSIF4 Card (KX-TDA0143) and CSIF8 Card (KX-TDA0144)

Function

CSIF4: 4-port CS interface card for 4 CSs.

CSIF8: 8-port CS interface card for 8 CSs.



Accessories and User-supplied Items

Accessories (included): none

User-supplied (not included): RJ45 connector

CAUTION

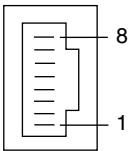
Make sure that the status of all the CSs connected to the CSIF cards are set to in-service (INS). For information about how to view CS information using the Maintenance Console, refer to "2.6.14 Utility—CS Information" in the PC Programming Manual. If there is a CS in out-of-service (OUS) status, make sure that it is securely connected to the CSIF card. If the CS remains in OUS status, there may be a fault with the connection. Do not leave the connected CS in OUS status since it may cause severe damage to the CSIF card.

Notes

- LINE 5 to LINE 8 are for CSIF8 card only.
- When using the CSIF4 card, please note that the PBX software will recognise the CSIF4 card as the CSIF8 card. As a result, 8 cell stations may appear to be available; however, only 4 cell stations are supported by the CSIF4 card.
- For details about connecting the CS, refer to "2.10.7 Connecting a Cell Station to the PBX" in "2.10 Connection of DECT Portable Stations" or "2.11.7 Connecting a Cell Station to the PBX" in "2.11 Connection of 2.4 GHz Portable Stations".

Pin Assignments

RJ45 Connector

	No.	Signal Name	Function
	1-2	Reserved	–
	3	D1	Data port (High)
	4	POWH	Power (High)
	5	POWL	Power (Low)
	6	D2	Data port (Low)
	7-8	Reserved	–

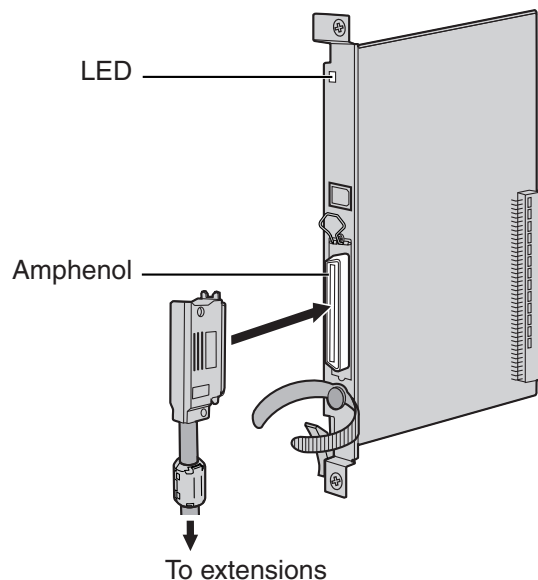
LED Indications

Indication	Colour	Description
CARD STATUS	Green/Red	Card status indication <ul style="list-style-type: none"> • OFF: Power Off • Green ON: Normal (all ports are idle) • Green Flashing (60 times per minute): Normal (a port is in use) • Red ON: Fault (includes reset) • Red Flashing (60 times per minute): Out of Service

2.7.2 DHLC8 Card (KX-TDA0170)

Function

8-port digital hybrid extension card for DPTs, APTs, SLTs, DSS consoles, and PT-interface CSs (Basic/High-density), with 2 power failure transfer (PFT) ports.



Accessories and User-supplied Items

Accessories (included): Screws × 2, Ferrite core × 1

User-supplied (not included): Amphenol connector

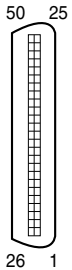
Notes

- Attach the included ferrite core to the cable. Refer to "2.2.15 Attaching a Ferrite Core".
- To connect the Amphenol connector, refer to "2.2.16 Fastening an Amphenol Connector".
- For details about power failure transfer, refer to "2.15.1 Power Failure Connections".

Pin Assignments

Amphenol Connector

No.	Signal Name	Function	No.	Signal Name	Function
1	RA	SLT Ring port 1	26	TA	SLT Tip port 1
2	D2A	PT Data port 1 (Low)	27	D1A	PT Data port 1 (High)
3	Reserved	–	28	Reserved	–
4	RB	SLT Ring port 2	29	TB	SLT Tip port 2
5	D2B	PT Data port 2 (Low)	30	D1B	PT Data port 2 (High)
6	Reserved	–	31	Reserved	–
7	RC	SLT Ring port 3	32	TC	SLT Tip port 3
8	D2C	PT Data port 3 (Low)	33	D1C	PT Data port 3 (High)
9	Reserved	–	34	Reserved	–
10	RD	SLT Ring port 4	35	TD	SLT Tip port 4
11	D2D	PT Data port 4 (Low)	36	D1D	PT Data port 4 (High)
12	Reserved	–	37	Reserved	–
13	RE	SLT Ring port 5	38	TE	SLT Tip port 5
14	D2E	PT Data port 5 (Low)	39	D1E	PT Data port 5 (High)
15	Reserved	–	40	Reserved	–
16	RF	SLT Ring port 6	41	TF	SLT Tip port 6
17	D2F	PT Data port 6 (Low)	42	D1F	PT Data port 6 (High)
18	Reserved	–	43	Reserved	–
19	RG	SLT Ring port 7	44	TG	SLT Tip port 7
20	D2G	PT Data port 7 (Low)	45	D1G	PT Data port 7 (High)
21	Reserved	–	46	Reserved	–
22	RH	SLT Ring port 8	47	TH	SLT Tip port 8
23	D2H	PT Data port 8 (Low)	48	D1H	PT Data port 8 (High)
24-25	Reserved	–	49-50	Reserved	–



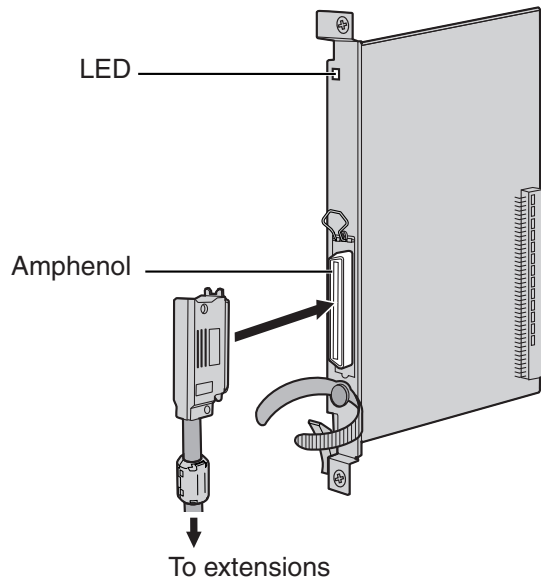
LED Indications

Indication	Colour	Description
CARD STATUS	Green/ Orange/Red	Card status indication <ul style="list-style-type: none">• OFF: Power Off• Green ON: Normal (all ports are idle)• Green Flashing (60 times per minute): Normal (a port is in use)• Orange Flashing: Detection of PT-interface CS connection (when starting up the PT-interface CS [Basic/High-density])• Red ON: Fault (includes reset)• Red Flashing (60 times per minute): Out of Service

2.7.3 DLC8 Card (KX-TDA0171)

Function

8-port digital extension card for DPTs, DSS consoles, and PT-interface CSs (Basic/High-density).



Accessories and User-supplied Items

Accessories (included): Screws × 2, Ferrite core × 1

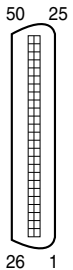
User-supplied (not included): Amphenol connector

Notes

- Attach the included ferrite core to the cable. Refer to "2.2.15 Attaching a Ferrite Core".
- To connect the Amphenol connector, refer to "2.2.16 Fastening an Amphenol Connector".

Pin Assignments

Amphenol Connector

	No.	Signal Name	Function	No.	Signal Name	Function
	1	Reserved	–	26	Reserved	–
2	D2A	Data port 1 (Low)	27	D1A	Data port 1 (High)	
3-4	Reserved	–	28-29	Reserved	–	
5	D2B	Data port 2 (Low)	30	D1B	Data port 2 (High)	
6-7	Reserved	–	31-32	Reserved	–	
8	D2C	Data port 3 (Low)	33	D1C	Data port 3 (High)	
9-10	Reserved	–	34-35	Reserved	–	
11	D2D	Data port 4 (Low)	36	D1D	Data port 4 (High)	
12-13	Reserved	–	37-38	Reserved	–	
14	D2E	Data port 5 (Low)	39	D1E	Data port 5 (High)	
15-16	Reserved	–	40-41	Reserved	–	
17	D2F	Data port 6 (Low)	42	D1F	Data port 6 (High)	
18-19	Reserved	–	43-44	Reserved	–	
20	D2G	Data port 7 (Low)	45	D1G	Data port 7 (High)	
21-22	Reserved	–	46-47	Reserved	–	
23	D2H	Data port 8 (Low)	48	D1H	Data port 8 (High)	
24-25	Reserved	–	49-50	Reserved	–	

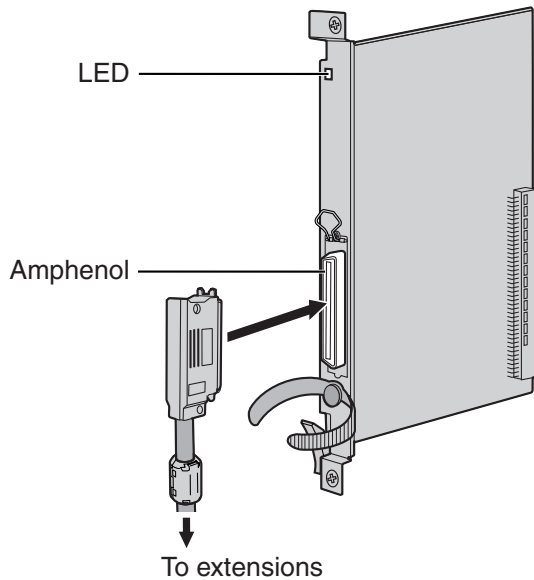
LED Indications

Indication	Colour	Description
CARD STATUS	Green/ Orange/Red	Card status indication <ul style="list-style-type: none"> • OFF: Power Off • Green ON: Normal (all ports are idle) • Green Flashing (60 times per minute): Normal (a port is in use) • Orange Flashing: Detection of PT-interface CS connection (when starting up the PT-interface CS [Basic/High-density]) • Red ON: Fault (includes reset) • Red Flashing (60 times per minute): Out of Service

2.7.4 DLC16 Card (KX-TDA0172)

Function

16-port digital extension card for DPTs, DSS consoles, and PT-interface CSs (Basic/High-density).



Accessories and User-supplied Items

Accessories (included): Screws × 2, Ferrite core × 1

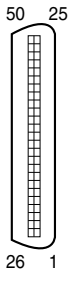
User-supplied (not included): Amphenol connector

Notes

- Attach the included ferrite core to the cable. Refer to "2.2.15 Attaching a Ferrite Core".
- To connect the Amphenol connector, refer to "2.2.16 Fastening an Amphenol Connector".

Pin Assignments

Amphenol Connector

	No.	Signal Name	Function	No.	Signal Name	Function
	1	D2A	Data port 1 (Low)	26	D1A	Data port 1 (High)
	2	D2B	Data port 2 (Low)	27	D1B	Data port 2 (High)
	3	D2C	Data port 3 (Low)	28	D1C	Data port 3 (High)
	4	D2D	Data port 4 (Low)	29	D1D	Data port 4 (High)
	5	D2E	Data port 5 (Low)	30	D1E	Data port 5 (High)
	6	D2F	Data port 6 (Low)	31	D1F	Data port 6 (High)
	7	D2G	Data port 7 (Low)	32	D1G	Data port 7 (High)
	8	D2H	Data port 8 (Low)	33	D1H	Data port 8 (High)
	9	D2I	Data port 9 (Low)	34	D1I	Data port 9 (High)
	10	D2J	Data port 10 (Low)	35	D1J	Data port 10 (High)
	11	D2K	Data port 11 (Low)	36	D1K	Data port 11 (High)
	12	D2L	Data port 12 (Low)	37	D1L	Data port 12 (High)
	13	D2M	Data port 13 (Low)	38	D1M	Data port 13 (High)
	14	D2N	Data port 14 (Low)	39	D1N	Data port 14 (High)
	15	D2O	Data port 15 (Low)	40	D1O	Data port 15 (High)
	16	D2P	Data port 16 (Low)	41	D1P	Data port 16 (High)
17-25	Reserved	–	42-50	Reserved	–	

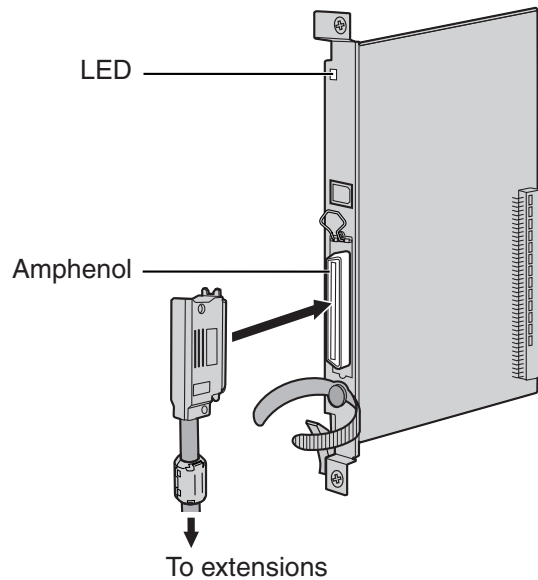
LED Indications

Indication	Colour	Description
CARD STATUS	Green/ Orange/Red	Card status indication <ul style="list-style-type: none"> • OFF: Power Off • Green ON: Normal (all ports are idle) • Green Flashing (60 times per minute): Normal (a port is in use) • Orange Flashing: Detection of PT-interface CS connection (when starting up the PT-interface CS [Basic/High-density]) • Red ON: Fault (includes reset) • Red Flashing (60 times per minute): Out of Service

2.7.5 SLC8 Card (KX-TDA0173)

Function

8-port extension card for SLTs with 2 power failure transfer (PFT) ports.



Accessories and User-supplied Items

Accessories (included): Screws × 2, Ferrite core × 1

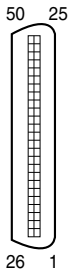
User-supplied (not included): Amphenol connector

Notes

- Attach the included ferrite core to the cable. Refer to "2.2.15 Attaching a Ferrite Core".
- To connect the Amphenol connector, refer to "2.2.16 Fastening an Amphenol Connector".
- For details about power failure transfer, refer to "2.15.1 Power Failure Connections".

Pin Assignments

Amphenol Connector

	No.	Signal Name	Function	No.	Signal Name	Function
	1	RA	Ring port 1	26	TA	Tip port 1
2-3	Reserved	–	27-28	Reserved	–	
4	RB	Ring port 2	29	TB	Tip port 2	
5-6	Reserved	–	30-31	Reserved	–	
7	RC	Ring port 3	32	TC	Tip port 3	
8-9	Reserved	–	33-34	Reserved	–	
10	RD	Ring port 4	35	TD	Tip port 4	
11-12	Reserved	–	36-37	Reserved	–	
13	RE	Ring port 5	38	TE	Tip port 5	
14-15	Reserved	–	39-40	Reserved	–	
16	RF	Ring port 6	41	TF	Tip port 6	
17-18	Reserved	–	42-43	Reserved	–	
19	RG	Ring port 7	44	TG	Tip port 7	
20-21	Reserved	–	45-46	Reserved	–	
22	RH	Ring port 8	47	TH	Tip port 8	
23-25	Reserved	–	48-50	Reserved	–	

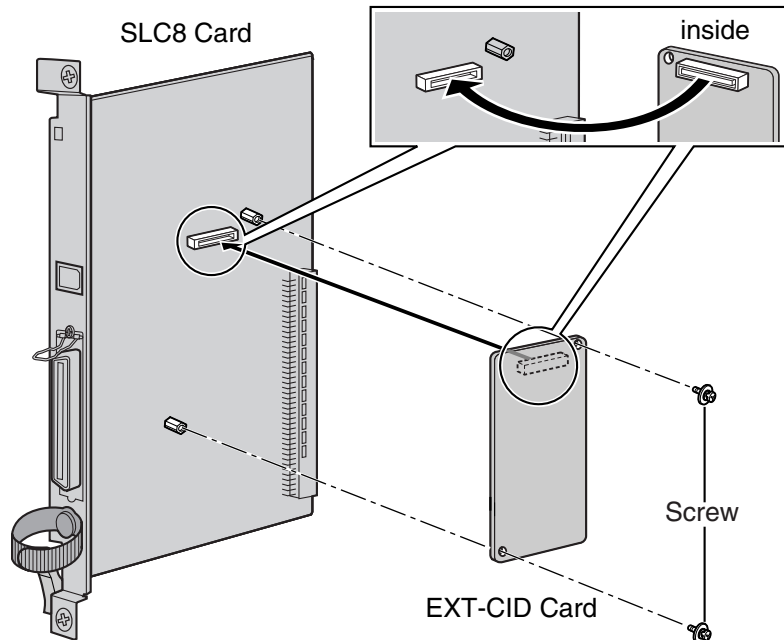
LED Indications

Indication	Colour	Description
CARD STATUS	Green/Red	Card status indication <ul style="list-style-type: none"> • OFF: Power Off • Green ON: Normal (all ports are idle) • Green Flashing (60 times per minute): Normal (a port is in use) • Red ON: Fault (includes reset) • Red Flashing (60 times per minute): Out of Service

2.7.6 EXT-CID Card (KX-TDA0168)

Function

Sends Caller ID signals to extension ports. To be mounted on the SLC8 card only.



Accessories and User-supplied Items

Accessories (included): Screws × 2

User-supplied (not included): none

2.7.7 CSLC16 Card (KX-TDA0177), ESLC16 Card (KX-TDA6174), EMSLC16 Card (KX-TDA6175), and ECSLC24 Card (KX-TDA6178)

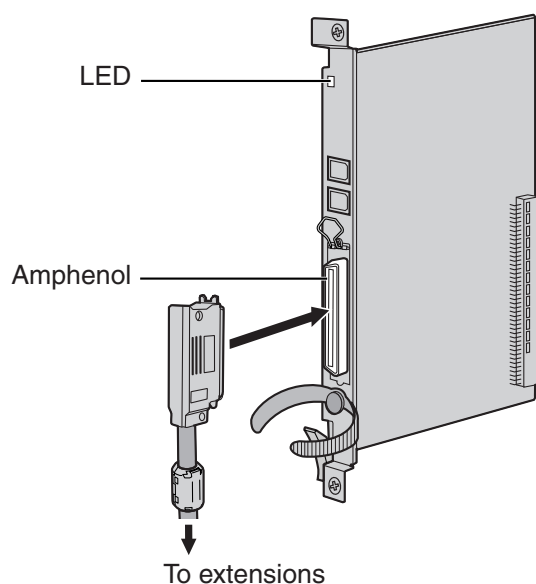
Function

CSLC16: 16-port extension card for SLTs with Caller ID (FSK) and 4 power failure transfer (PFT) ports.

ESLC16: 16-port extension card for SLTs with 4 power failure transfer (PFT) ports.

EMSLC16: 16-port extension card for SLTs with Message Waiting Lamp control and 4 power failure transfer (PFT) ports. Maximum power output of 160 V/90 V for Message Waiting Lamp control.

ECSLC24: 24-port extension card for SLTs with Caller ID (FSK) and 4 power failure transfer (PFT) ports. Can only be installed in shelves in which a PSU-L is installed.



Accessories and User-supplied Items

Accessories (included): Screws × 2, Ferrite core × 1

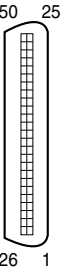
User-supplied (not included): Amphenol connector

Notes

- Panasonic SLT with Message Waiting Lamp (e.g., KX-T7710) is recommended for connection to the EMSLC16 card.
- Attach the included ferrite core to the cable. Refer to "2.2.15 Attaching a Ferrite Core".
- To connect the Amphenol connector, refer to "2.2.16 Fastening an Amphenol Connector".
- For details about power failure transfer, refer to "2.15.1 Power Failure Connections".
- To use a CSLC16 card, the Local Processor (LPR) software of the card must be version 2.000 or later.

Pin Assignments

Amphenol Connector



No.	Signal Name	Function	No.	Signal Name	Function
1	RA	Ring port 1	26	TA	Tip port 1
2	RB	Ring port 2	27	TB	Tip port 2
3	RC	Ring port 3	28	TC	Tip port 3
4	RD	Ring port 4	29	TD	Tip port 4
5	RE	Ring port 5	30	TE	Tip port 5
6	RF	Ring port 6	31	TF	Tip port 6
7	RG	Ring port 7	32	TG	Tip port 7
8	RH	Ring port 8	33	TH	Tip port 8
9	RI	Ring port 9	34	TI	Tip port 9
10	RJ	Ring port 10	35	TJ	Tip port 10
11	RK	Ring port 11	36	TK	Tip port 11
12	RL	Ring port 12	37	TL	Tip port 12
13	RM	Ring port 13	38	TM	Tip port 13
14	RN	Ring port 14	39	TN	Tip port 14
15	RO	Ring port 15	40	TO	Tip port 15
16	RP	Ring port 16	41	TP	Tip port 16
17	RQ	Ring port 17	42	TQ	Tip port 17
18	RR	Ring port 18	43	TR	Tip port 18
19	RS	Ring port 19	44	TS	Tip port 19
20	RT	Ring port 20	45	TT	Tip port 20
21	RU	Ring port 21	46	TU	Tip port 21
22	RV	Ring port 22	47	TV	Tip port 22
23	RW	Ring port 23	48	TW	Tip port 23
24	RX	Ring port 24	49	TX	Tip port 24
25	Reserved	–	50	Reserved	–

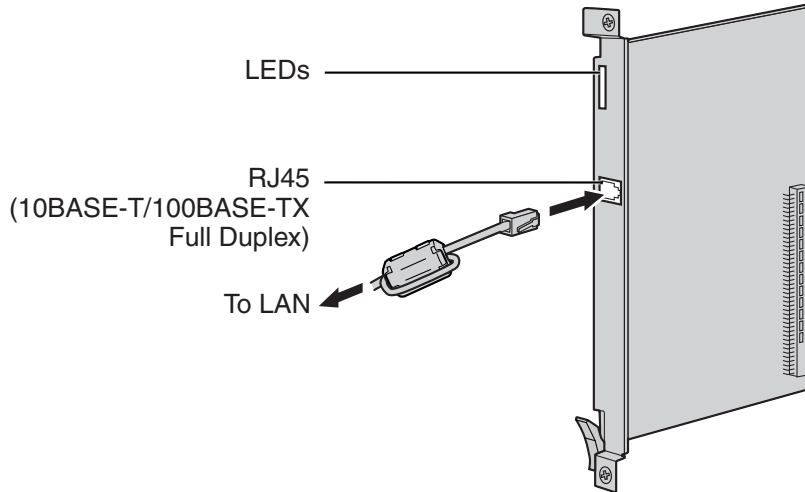
LED Indications

Indication	Colour	Description
CARD STATUS	Green/Red	Card status indication <ul style="list-style-type: none">• OFF: Power Off• Green ON: Normal (all ports are idle)• Green Flashing (60 times per minute): Normal (a port is in use)• Red ON: Fault (includes reset)• Red Flashing (60 times per minute): Out of Service

2.7.8 IP-EXT16 Card (KX-TDA0470)

Function

16-channel VoIP extension card. Compliant with Panasonic proprietary protocol, and ITU-T G.729a and G.711 CODEC methods.



Accessories and User-supplied Items

Accessories (included): Ferrite core × 1

User-supplied (not included): RJ45 connector

Notes

- The maximum length of the cable to be connected to this optional service card is 100 m.
- When connecting the RJ45 connector, attach the included ferrite core. Refer to "2.2.15 Attaching a Ferrite Core".

Pin Assignments

RJ45 Connector (10BASE-T/100BASE-TX)

No.	Signal Name	Input (I)/Output (O)	Function
1	TPO+	O	Transmit data+
2	TPO-	O	Transmit data-
3	TPI+	I	Receive data+
4-5	Reserved	—	—
6	TPI-	I	Receive data-
7-8	Reserved	—	—

LED Indications

Indication	Colour	Description
CARD STATUS	Green/Red	Card status indication <ul style="list-style-type: none"> • OFF: Power Off • Green ON: Normal (all ports are idle) • Green Flashing (60 times per minute): Normal (a port is in use) • Red ON: Fault (includes reset) • Red Flashing (60 times per minute): Out of Service
ONLINE	Green	On-line status indication <ul style="list-style-type: none"> • ON: At least one port is in use (an IP-PT is connected) • OFF: No ports are in use (no IP-PTs are connected) <p>Note If the LINK indicator is OFF, the ONLINE indicator will also be OFF.</p>
ALARM	Red	Alarm indication <ul style="list-style-type: none"> • OFF: Normal • ON: Alarm
VoIP BUSY	Green	Panasonic proprietary VoIP protocol process indication <ul style="list-style-type: none"> • OFF: VoIP process inactive • ON: VoIP process active
LINK	Green	Link status indication <ul style="list-style-type: none"> • OFF: Connection error • ON: Normal connection
DATA	Green	Data transmission indication <ul style="list-style-type: none"> • OFF: No data transmitted • ON: Data transmitting

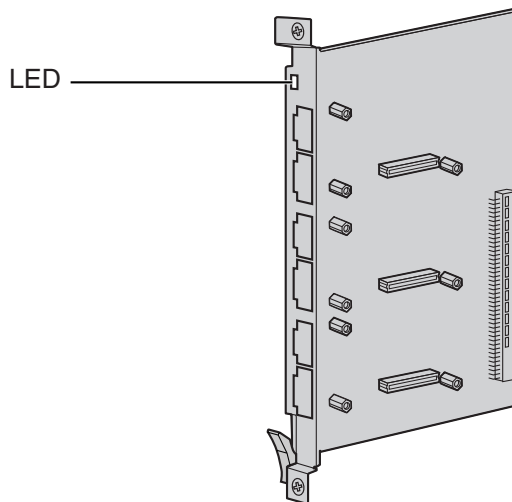
2.8 Information about the Other Cards

2.8.1 OPB3 Card (KX-TDA0190)

Function

Optional 3-slot base card for mounting a maximum of 3 optional service cards from the following:

- DPH4 card
- DPH2 card
- EIO4 card
- MSG4 card
- ESVM2 card
- ESVM4 card



Accessories and User-supplied Items

Accessories (included): none

User-supplied (not included): none

WARNING

A LITHIUM BATTERY IS USED IN OPB3 CARD. THERE IS A RISK OF EXPLOSION IF THE BATTERY IS REPLACED WITH THE INCORRECT TYPE. DISPOSE OF USED BATTERIES ACCORDING TO THE MANUFACTURER'S INSTRUCTIONS.

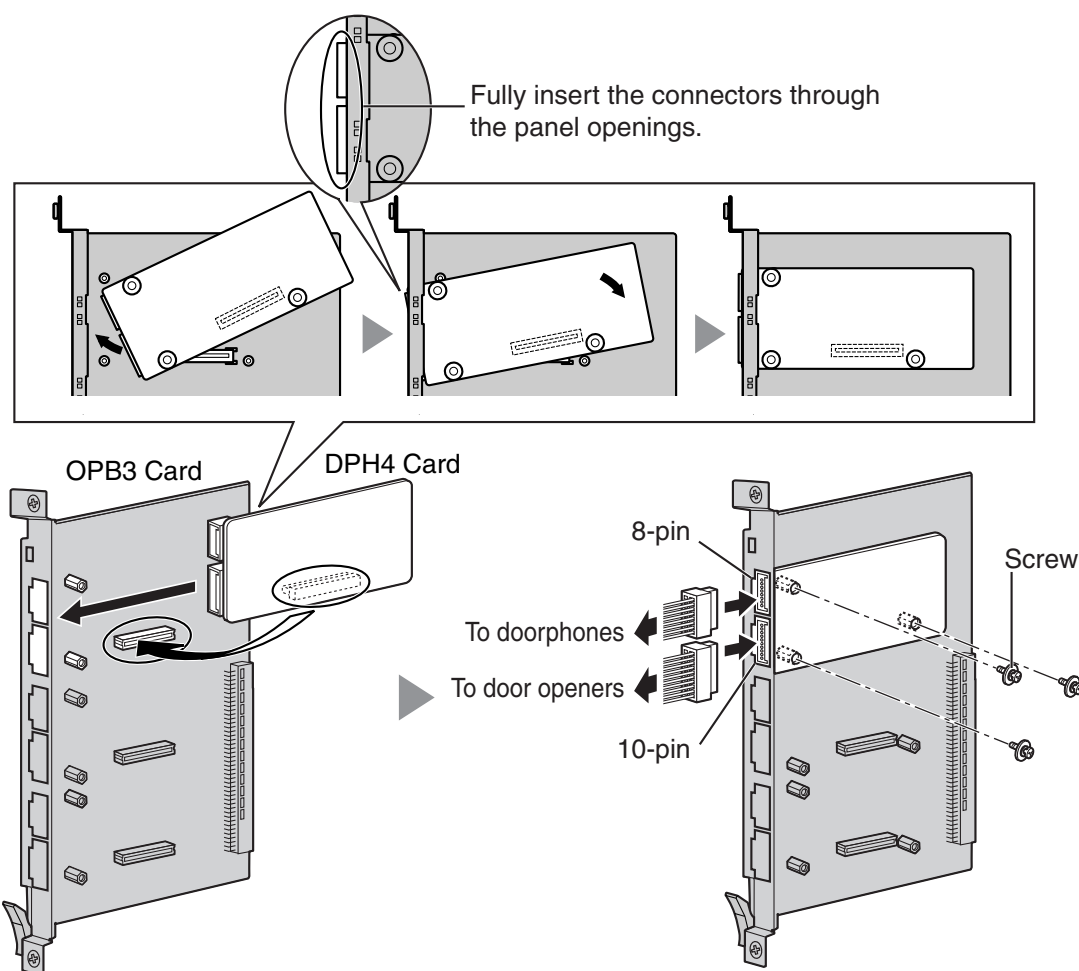
LED Indications

Indication	Colour	Description
CARD STATUS	Green/Red	Card status indication <ul style="list-style-type: none">• OFF: Power Off• Green ON: Normal (all ports are idle)• Green Flashing (60 times per minute): Normal (a port is in use)• Red ON: Fault (includes reset)• Red Flashing (60 times per minute): Out of Service

2.8.2 DPH4 Card (KX-TDA0161)

Function

4-port doorphone card for 4 doorphones and 4 door openers. To be mounted on the OPB3 card.



Accessories and User-supplied Items

Accessories (included): Screws × 3, 10-pin terminal block × 1, 8-pin terminal block × 1

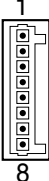
User-supplied (not included): Copper wire

Note

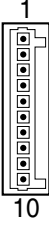
For details about connection to doorphones and door openers, refer to "2.13.1 Connection of Doorphones, Door Openers, External Sensors, and External Relays".

Pin Assignments

8-pin Terminal Block

	No.	Signal Name	Function
	1	DP4	Doorphone 4 transmit
	2	com4	Doorphone 4 receive
	3	DP3	Doorphone 3 transmit
	4	com3	Doorphone 3 receive
	5	DP2	Doorphone 2 transmit
	6	com2	Doorphone 2 receive
	7	DP1	Doorphone 1 transmit
8	com1	Doorphone 1 receive	

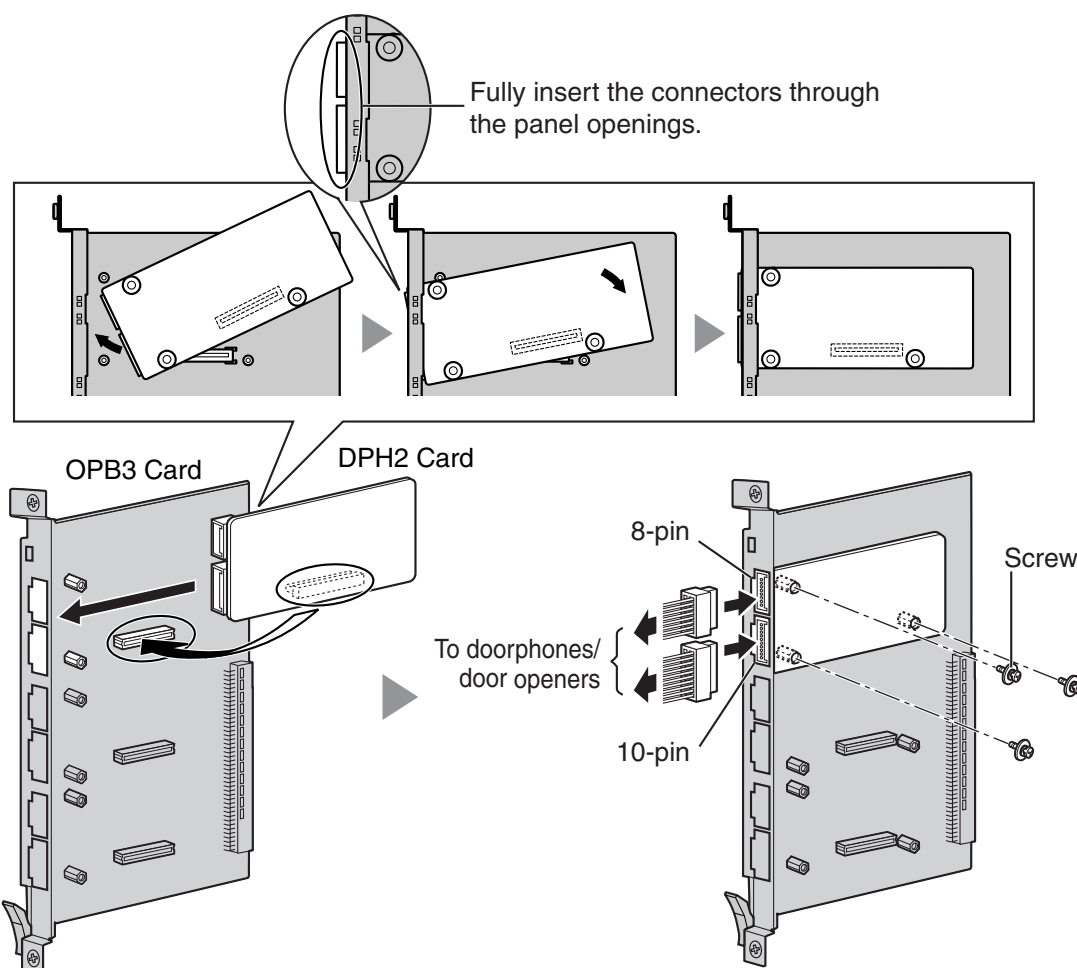
10-pin Terminal Block

	No.	Signal Name	Function
	1-2	Reserved	–
	3	OP4b	Door opener 4
	4	OP4a	Door opener 4 com
	5	OP3b	Door opener 3
	6	OP3a	Door opener 3 com
	7	OP2b	Door opener 2
	8	OP2a	Door opener 2 com
	9	OP1b	Door opener 1
	10	OP1a	Door opener 1 com

2.8.3 DPH2 Card (KX-TDA0162)

Function

2-port doorphone card for 2 German-type doorphones and 2 door openers. To be mounted on the OPB3 card.



Accessories and User-supplied Items

Accessories (included): Screws × 3, 10-pin terminal block × 1, 8-pin terminal block × 1

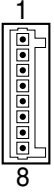
User-supplied (not included): Copper wire

Note

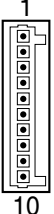
For details about connection to doorphones and door openers, refer to "2.13.1 Connection of Doorphones, Door Openers, External Sensors, and External Relays".

Pin Assignments

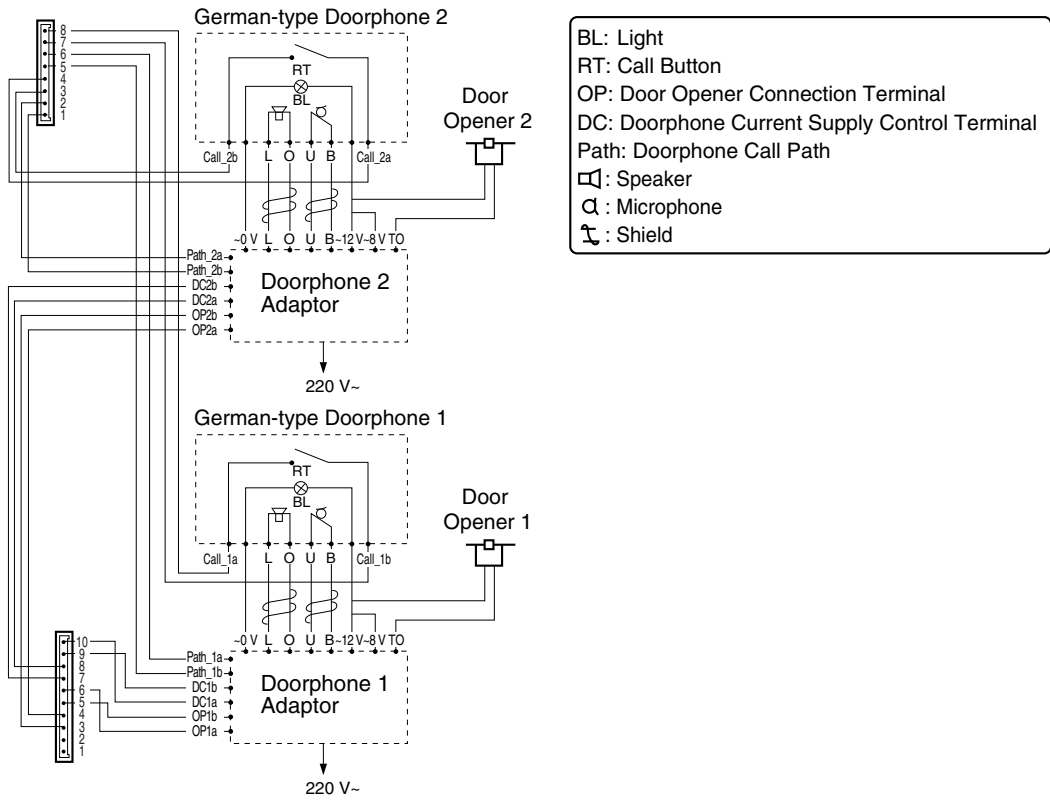
8-pin Terminal Block

	No.	Proprietary Signal Name	Standard Signal Name	Function
	1	Path_2b	b (2)	Doorphone 2 transmit
	2	Path_2a	a (2)	Doorphone 2 receive
	3	Call_2b	RT b (2)	Doorphone 2 call button
	4	Call_2a	RT a (2)	Doorphone 2 call button com
	5	Path_1b	b (1)	Doorphone 1 transmit
	6	Path_1a	a (1)	Doorphone 1 receive
	7	Call_1b	RT b (1)	Doorphone 1 call button
	8	Call_1a	RT a (1)	Doorphone 1 call button com

10-pin Terminal Block

	No.	Proprietary Signal Name	Standard Signal Name	Function
	1-2	Reserved	Reserved	–
	3	OP2b	TO b (2)	Door opener 2
	4	OP2a	TO a (2)	Door opener 2 com
	5	OP1b	TO b (1)	Door opener 1
	6	OP1a	TO a (1)	Door opener 1 com
	7	DC2b	TS b (2)	Doorphone control 2
	8	DC2a	TS a (2)	Doorphone control 2 com
	9	DC1b	TS b (1)	Doorphone control 1
	10	DC1a	TS a (1)	Doorphone control 1 com

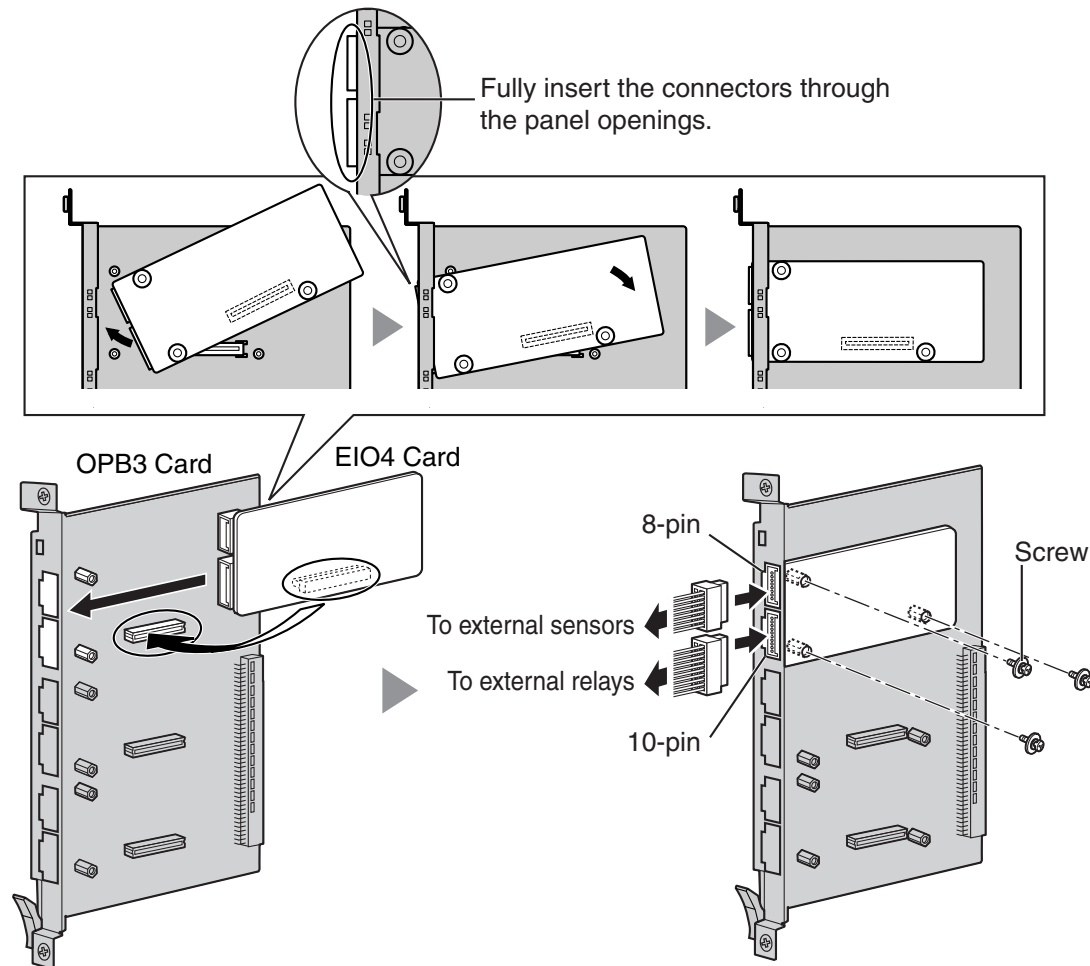
Connection Diagram for German-type Doorphones and Door Openers



2.8.4 EIO4 Card (KX-TDA0164)

Function

4-port external input/output card. To be mounted on the OPB3 card.



Accessories and User-supplied Items

Accessories (included): Screws × 3, 10-pin terminal block × 1, 8-pin terminal block × 1

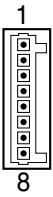
User-supplied (not included): Copper wire

Note

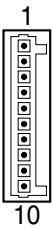
For details about connection to external sensors and external relays, refer to "2.13.1 Connection of Doorphones, Door Openers, External Sensors, and External Relays".

Pin Assignments

8-pin Terminal Block

	No.	Signal Name	Function
	1	C4b	Control 4
	2	C4a	Control 4 com
	3	C3b	Control 3
	4	C3a	Control 3 com
	5	C2b	Control 2
	6	C2a	Control 2 com
	7	C1b	Control 1
	8	C1a	Control 1 com

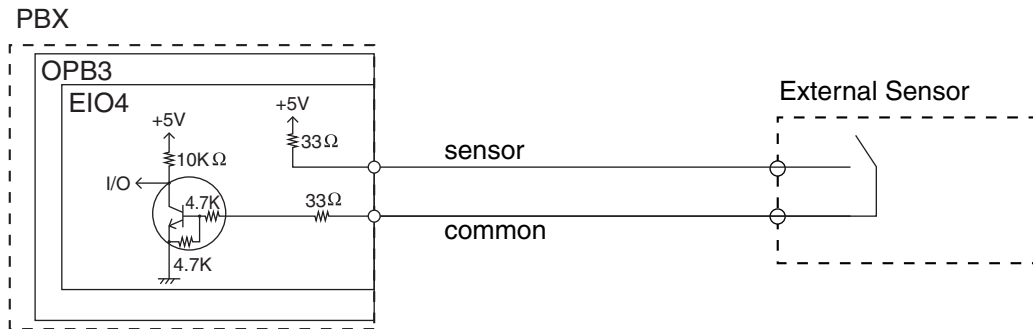
10-pin Terminal Block

	No.	Signal Name	Function
	1-2	Reserved	–
	3	OP4b	Opener 4
	4	OP4a	Opener 4 com
	5	OP3b	Opener 3
	6	OP3a	Opener 3 com
	7	OP2b	Opener 2
	8	OP2a	Opener 2 com
	9	OP1b	Opener 1
	10	OP1a	Opener 1 com

External Sensor

Power to the external sensor is provided from the EIO4 card and must be grounded through the EIO4 card as indicated in the diagram below. A pair of "sensor" and "common" lines are connected to the EIO4 card for each external sensor. The PBX detects input from the sensor when the signal is under 100 Ω.

Connection Diagram



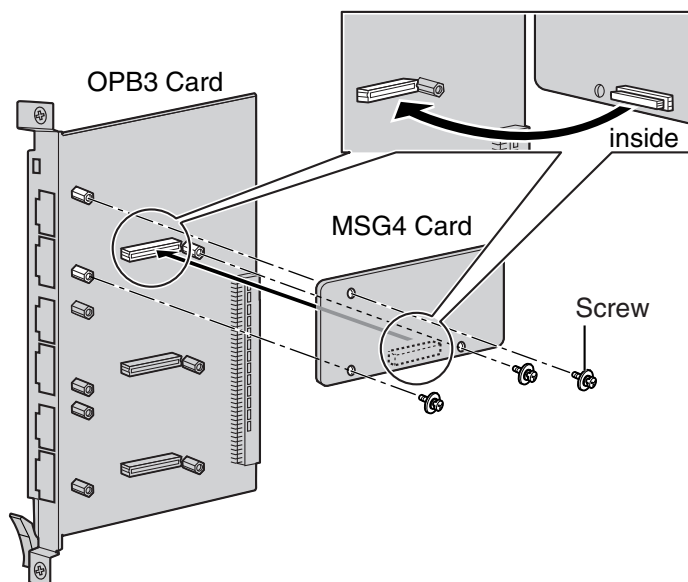
External Relay

Current Limit: 24 V DC/30 V AC, 1 A maximum

2.8.5 MSG4 Card (KX-TDA0191)

Function

4-channel message card. To be mounted on the OPB3 card.



Accessories and User-supplied Items

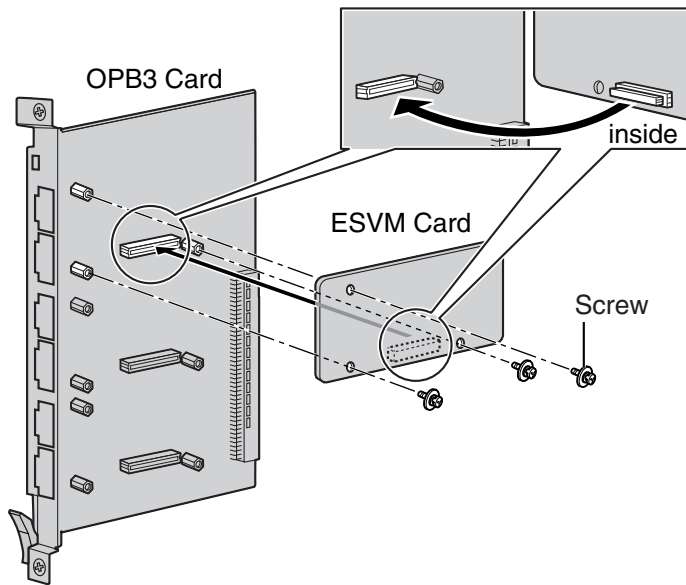
Accessories (included): Screws × 3

User-supplied (not included): none

2.8.6 ESVM2 Card (KX-TDA0192) and ESVM4 Card (KX-TDA0194)

Function

- ESVM2:** 2-channel simplified voice message card for Built-in Simplified Voice Message feature. Also supports MSG card features. To be mounted on the OPB3 card.
- ESVM4:** 4-channel simplified voice message card for Built-in Simplified Voice Message feature. Also supports MSG card features. To be mounted on the OPB3 card.



Accessories and User-supplied Items

Accessories (included): Screws × 3

User-supplied (not included): none

CAUTION

When installing/uninstalling an ESVM card, be careful not to damage the chips around the connection parts. Doing so may cause severe damage to the ESVM card.

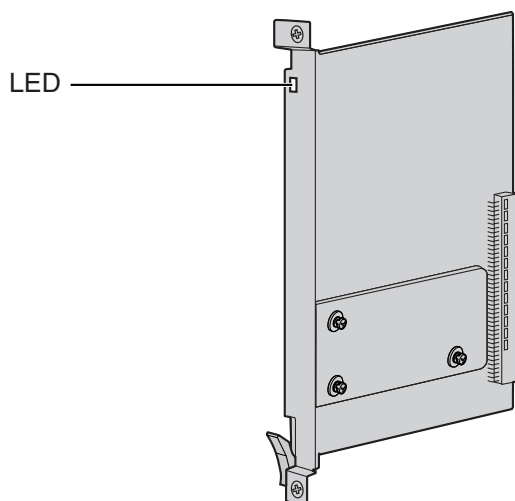
Note

When using an ESVM card for the SVM feature, it must be mounted on sub-slot 3 (highest slot) of the OPB3 card.

2.8.7 EECHO16 Card (KX-TDA6166)

Function

16-channel card for echo cancellation during conferences.



Accessories and User-supplied Items

Accessories (included): none

User-supplied (not included): none

Note

To establish a conference call involving 6 to 8 parties, install an EECHO16 card and enable echo cancellation for conferences using the Maintenance Console. For details, refer to "Echo Cancel—Conference" in "2.9.17 [2-9] System Options" of the PC Programming Manual.

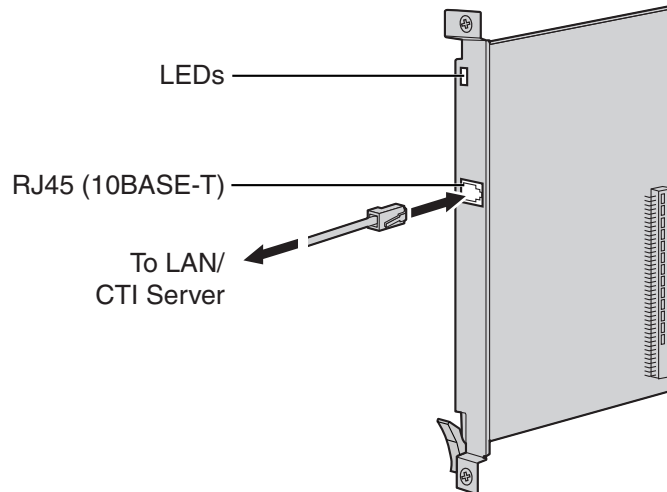
LED Indications

Indication	Colour	Description
CARD STATUS	Green/Red	Card status indication <ul style="list-style-type: none"> • OFF: Power Off • Green ON: Normal (all ports are idle) • Green Flashing (60 times per minute): Normal (a port is in use) • Red ON: Fault (includes reset) • Red Flashing (60 times per minute): Out of Service

2.8.8 CTI-LINK Card (KX-TDA0410)

Function

Ethernet card for CTI communication via 10BASE-T port. CSTA Phase 3 protocol compatible. To be installed in the Basic Shelf only.



Accessories and User-supplied Items

Accessories (included): none

User-supplied (not included): RJ45 connector

Notes

- The maximum length of the cable to be connected to this optional service card is 100 m.
- This optional service card can be connected to PCs on a LAN via a CTI server to provide third party call control CTI.
The operating system of the PC or CTI server required for third party call control depends on your CTI application software. For details, refer to the manual for your CTI application software.

Pin Assignments

RJ45 Connector (10BASE-T)

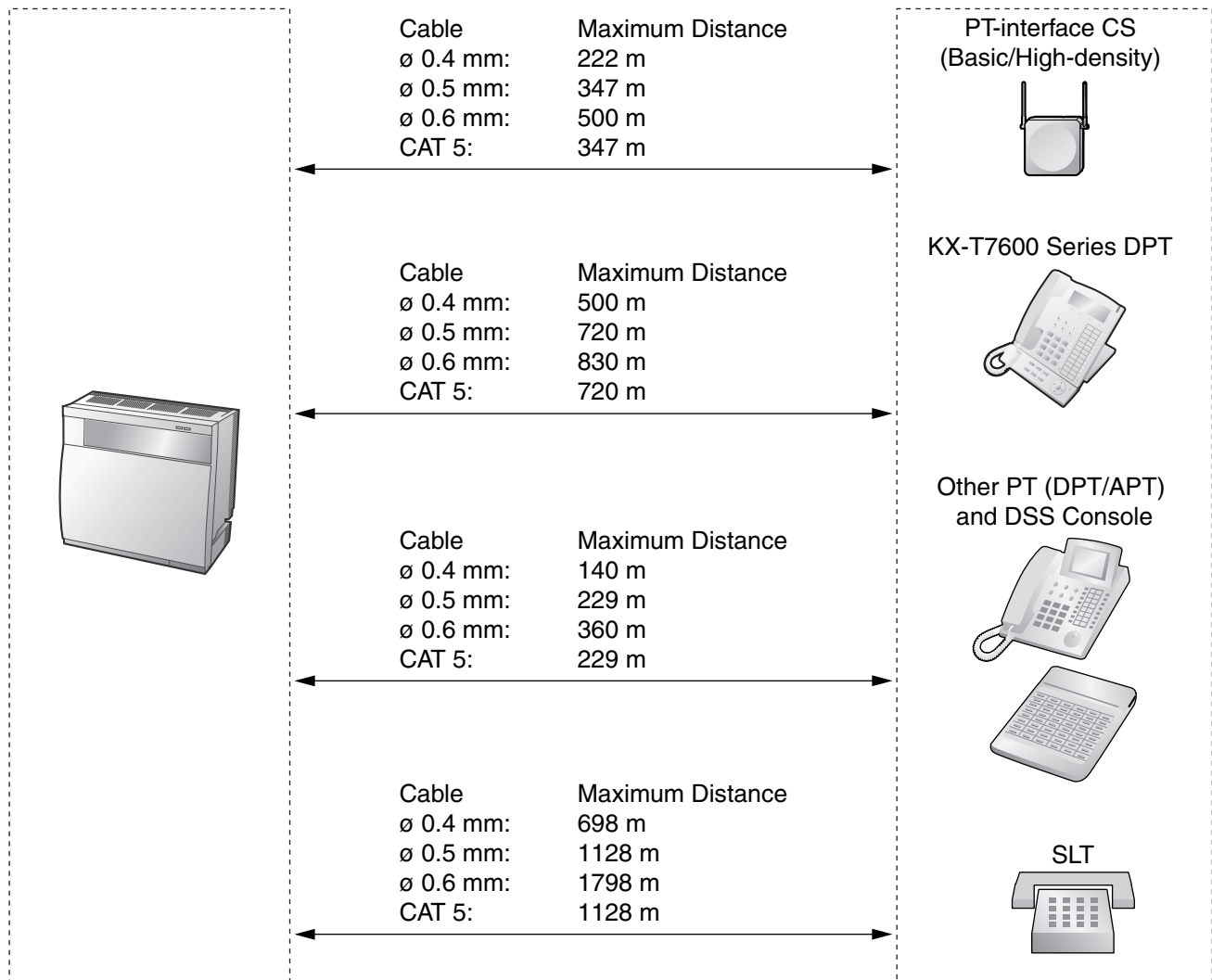
	No.	Signal Name	Input (I)/Output (O)	Function
	1	TPO+	O	Transmit data+
	2	TPO-	O	Transmit data-
	3	TPI+	I	Receive data+
	4-5	Reserved	—	—
	6	TPI-	I	Receive data-
	7-8	Reserved	—	—

LED Indications

Indication	Colour	Description
CARD STATUS	Green/Red	Card status indication <ul style="list-style-type: none">• OFF: Power Off• Green ON: Normal• Red ON: Fault (includes reset)• Red Flashing (60 times per minute): Out of Service
LINK STATUS	Green	Link status indication <ul style="list-style-type: none">• Flashing: In communication• ON: Linked normally

2.9 Connection of Extensions

2.9.1 Maximum Cabling Distances of the Extension Wiring (Twisted Cable)



Notice

- If the cabling distance exceeds the maximum cabling distance above, satisfactory performance of each terminal cannot be guaranteed.
- The connected terminals will operate over the maximum cabling distance under optimum conditions.
However, the maximum cabling distance of SLTs connected to ports No. 9–24 of the ECSLC24 card may be shorter than that of SLTs connected to the ESLC16 card.

	PT-interface CS (Basic/High- density)	DPT	APT	DSS Console	SLT
DHLC8 Card	✓	✓	✓	✓	✓
EMSLC16, ESLC16, ECSLC24, CSLC16, SLC8 Cards					✓
DLC16, DLC8 Cards	✓	✓		✓	

"✓" indicates that the extension card supports the terminal.

2.9.2 Parallel Connection of the Extensions

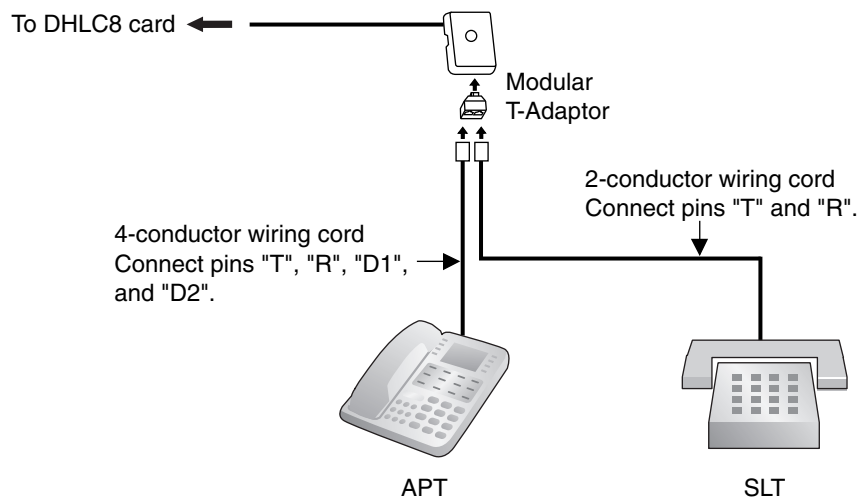
Any SLT can be connected in parallel with an APT or a DPT as follows.

Note

In addition to an SLT, an answering machine, a fax machine or a modem (PC) can be connected in parallel with an APT or a DPT.

With APT

For parallel connection, eXtra Device Port (XDP) mode must be disabled for that port through system programming. Refer to "1.11.9 Paralleled Telephone" and "2.1.1 Extension Port Configuration" in the Feature Guide for further information.

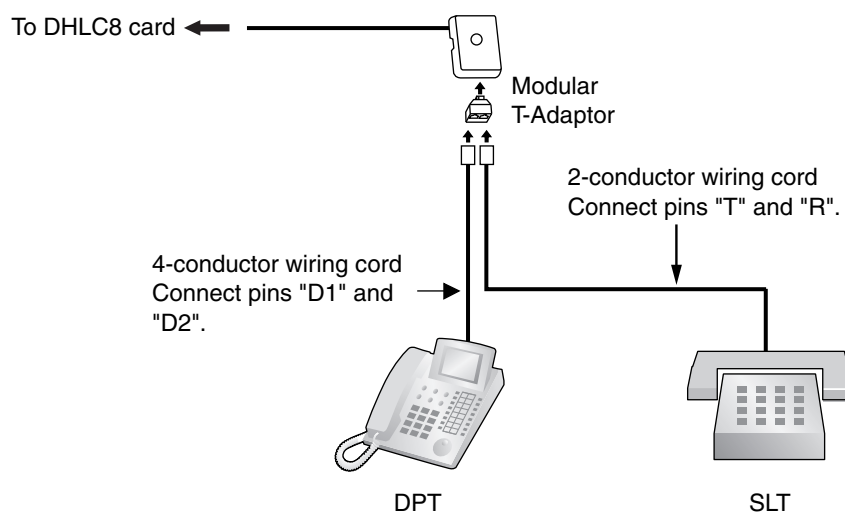


With DPT

Parallel mode or eXtra Device Port (XDP) mode can be selected through system programming.

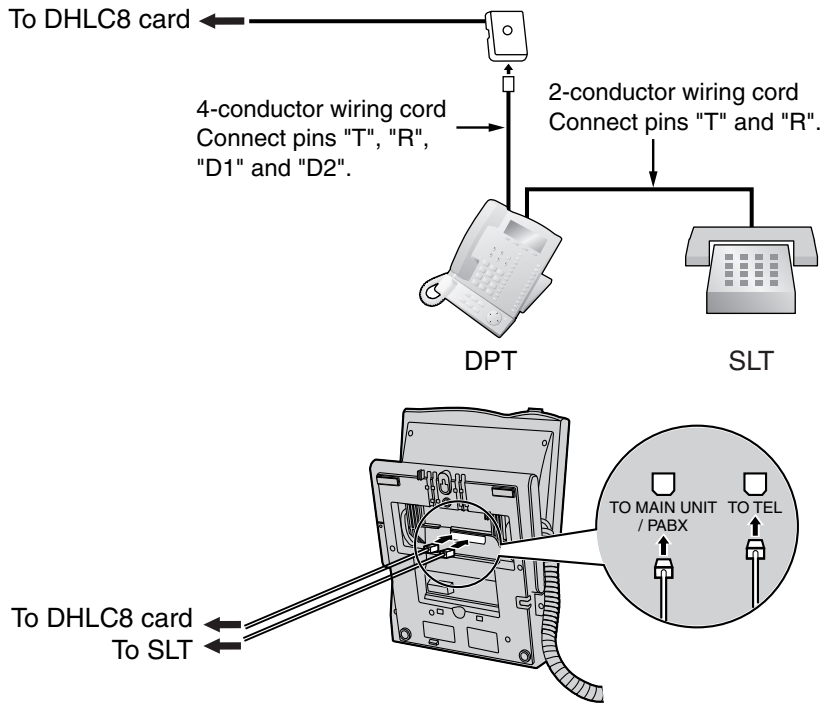
If XDP mode is enabled through system programming, parallel connection is not possible. Refer to "1.11.9 Paralleled Telephone" and "2.1.1 Extension Port Configuration" in the Feature Guide for further information.

Using a Modular T-Adaptor

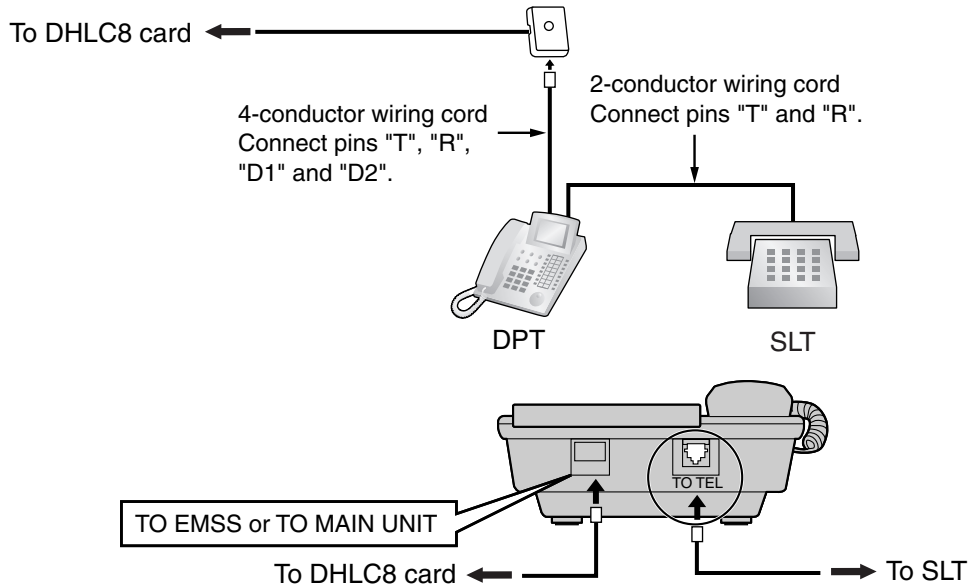


Using an EXtra Device Port

With KX-T7600 Series DPT (except KX-T7665)



With Other DPT (except KX-T7560 and KX-T7565)



2.9.3 Digital EXtra Device Port (Digital XDP) Connection

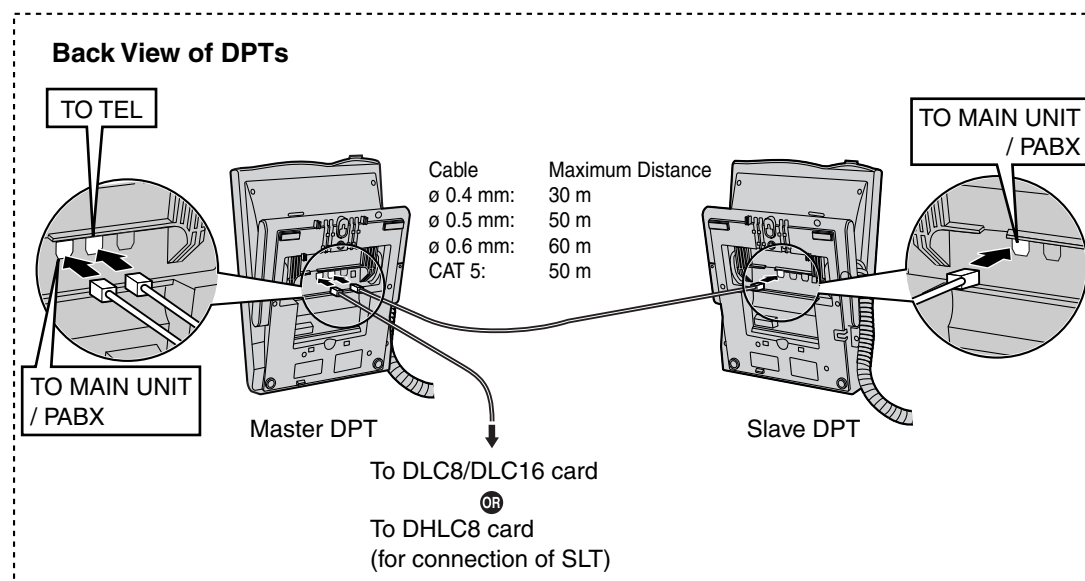
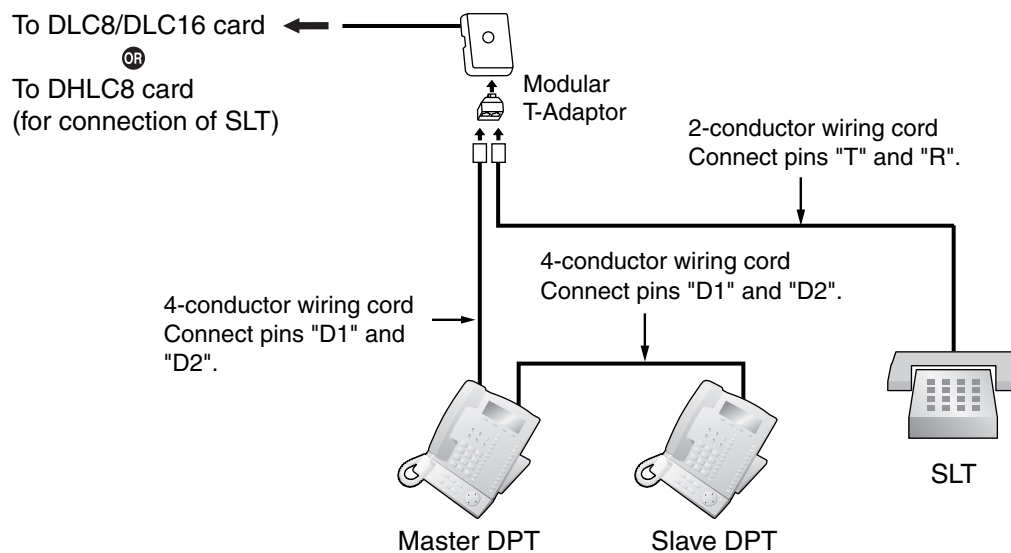
A DPT can be connected to another DPT on the Digital XDP connection. In addition, if the DPT is connected to a DHLC8 card, it can also have an SLT connected in Parallel mode or XDP mode.

Notes

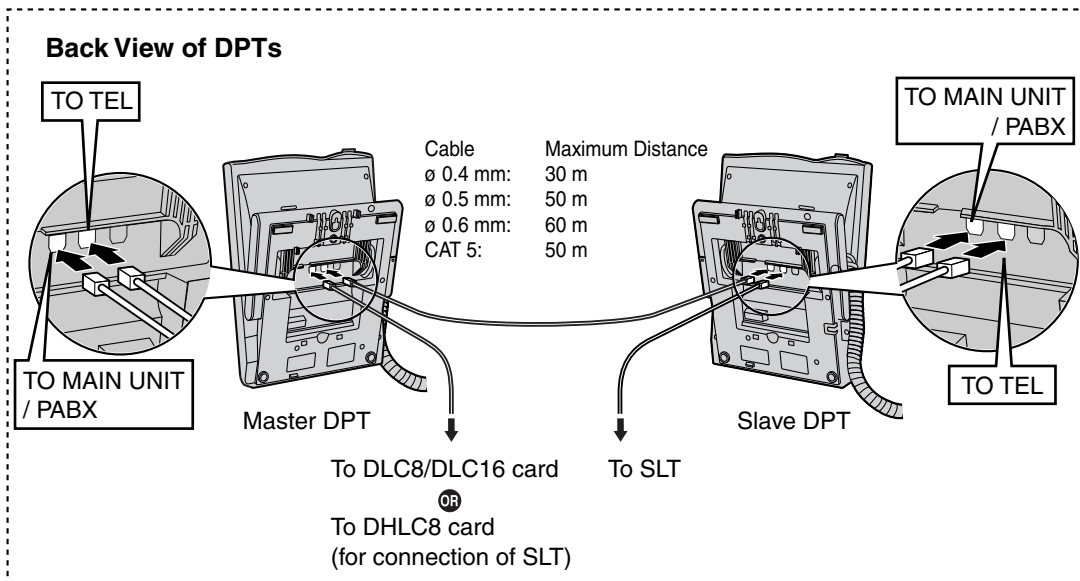
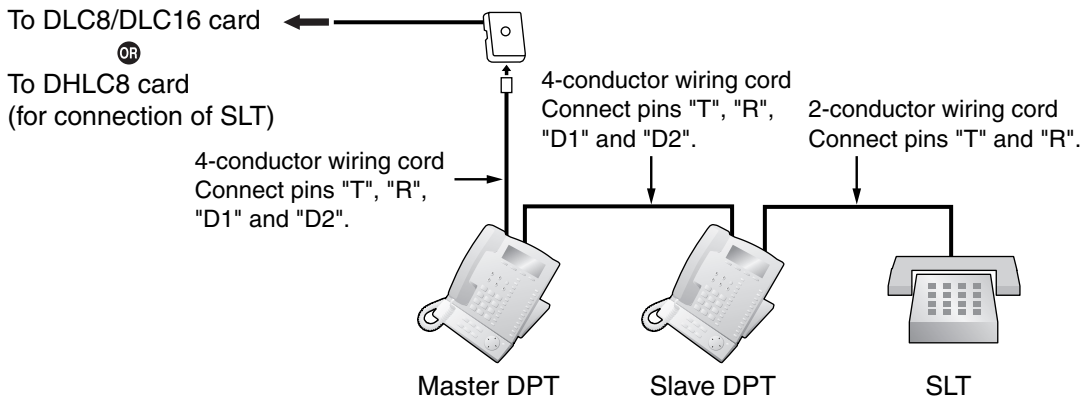
- Both DPTs must be KX-T7600 series DPTs (except KX-T7640). Note that the KX-T7667 can only be connected as a slave DPT.
- Parallel mode or XDP mode can be selected through system programming.
- If XDP mode is enabled through system programming, parallel connection is not possible. Refer to "1.11.9 Paralleled Telephone" and "2.1.1 Extension Port Configuration" in the Feature Guide for further information.

With KX-T7600 Series DPT (except KX-T7600E Series)

Using a Modular T-Adaptor

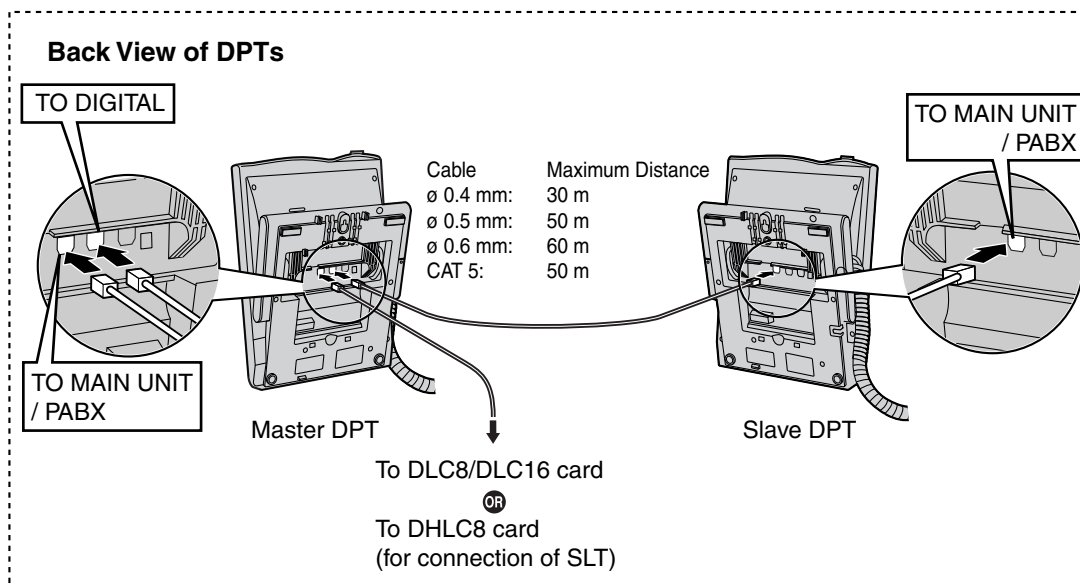
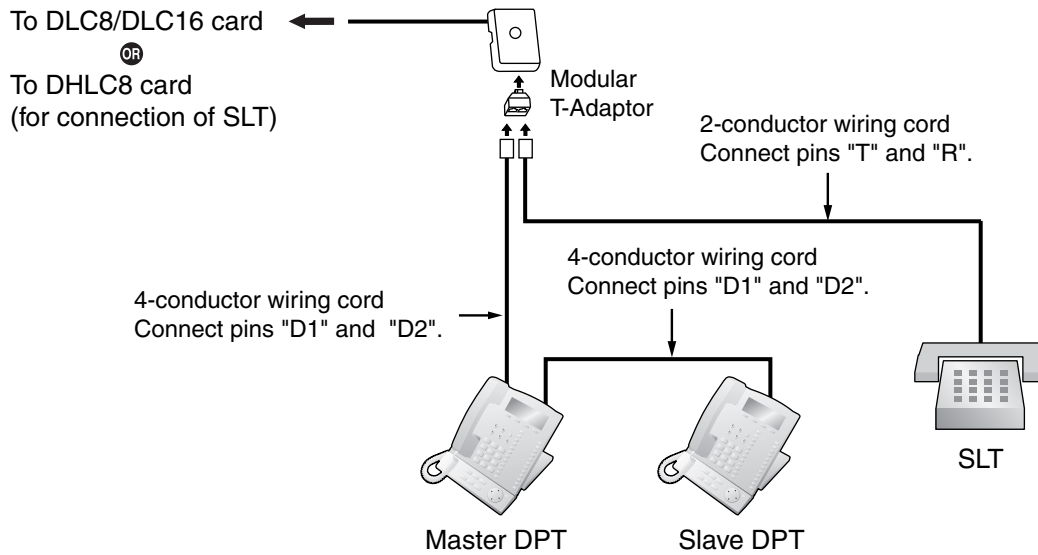


Using an EXtra Device Port

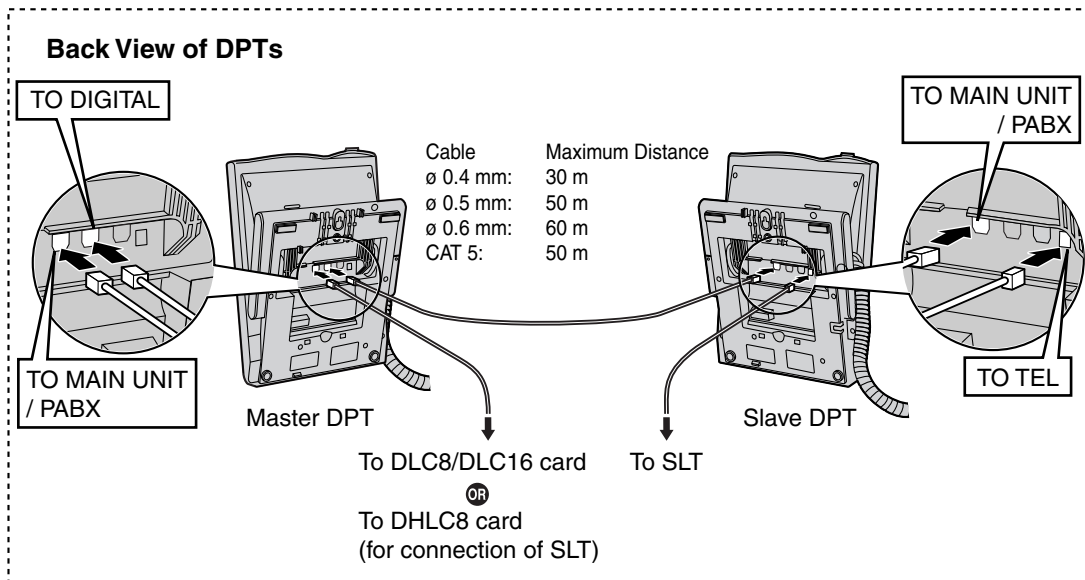
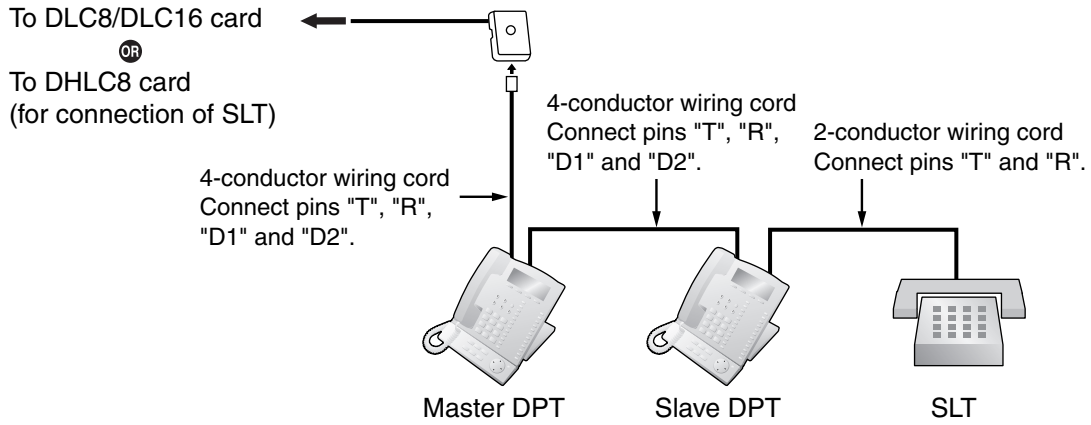


With KX-T7600E Series DPT

Using a Modular T-Adaptor

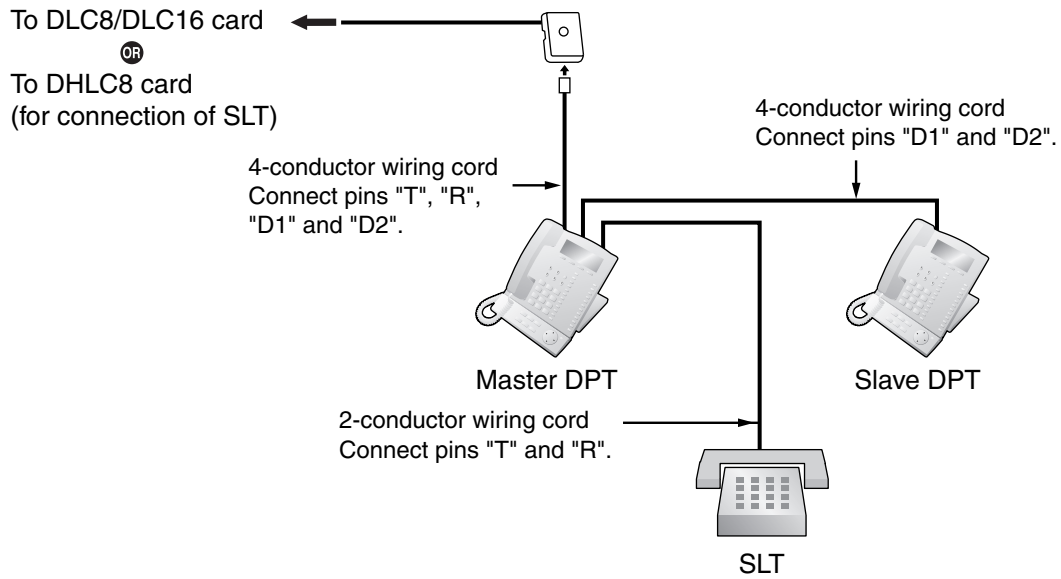


**Using an EXtra Device Port
Connecting to a Slave DPT**

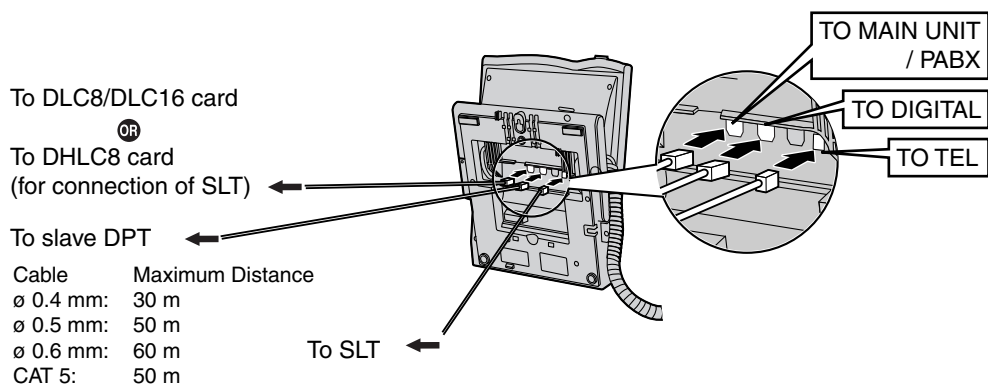


2.9 Connection of Extensions

Connecting to a Master DPT



Back View of DPTs

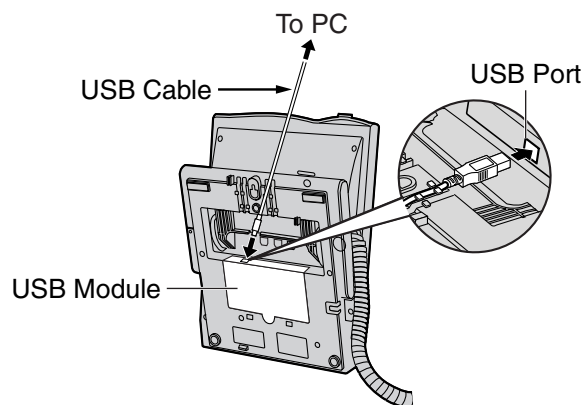


2.9.4 First Party Call Control CTI Connection

CTI connection between a PC and a KX-T7633/KX-T7636 DPT provides first party call control. The CTI connection is made via a USB interface (version 2.0), and uses the TAPI 2.1 protocol. A USB Module (KX-T7601) must be connected to the KX-T7633/KX-T7636 DPT.

Note

The operating system of the PC required for first party call control depends on your CTI application software. For details, refer to the manual for your CTI application software.



Notes

- The maximum length of the USB cable is 3 m.
- USB Modules must not be connected to DPTs in the Digital XDP connection. In a Digital XDP connection, the PC cannot be used. If a USB module is connected to a slave DPT, the DPT will not work properly.

2.10 Connection of DECT Portable Stations

2.10.1 Overview

Required Equipment and Maximum Number of Calls

CSs determine the area covered by the wireless system. The number of calls that can be made simultaneously through each CS varies depending on the model, as follows:

CS	Connection Card	Maximum Calls	Compatible PSs
KX-TDA0158CE	DHLC/DLC	8	<ul style="list-style-type: none"> • KX-TCA155 • KX-TCA255 • KX-TCA256 • KX-TCA355 • KX-TD7590 • KX-TD7580
KX-TDA0141CE	DHLC/DLC	2	
KX-TDA0142CE	CSIF	4	

IMPORTANT

The CSs for DECT are for connection to specified Panasonic PBXs only.

Note

For more details about the PS, refer to the Operating Instructions of the PS.

RF Specification

Item	Description
Radio Access Method	MultiCarrier TDMA-TDD
Frequency Band	1880 MHz to 1900 MHz ^{*1}
Number of Carriers	10 ^{*2}
Carrier Spacing	1728 kHz
Bit Rate	1152 kbps
Carrier Multiplex	TDMA, 24 (Tx12, Rx12) slots per frame
Frame Length	10 ms
Modulation Scheme	GFSK Roll-off factor=0.5 50 % roll-off in the transmitter
Data Coding for Modulator	Differential Coding
Voice CODEC	32 kbps ADPCM (CCITT G.721)
Transmission Output	Average 10 mW Peak 250 mW

^{*1} KX-TDA600BX/KX-TDA600TW: 1880 MHz to 1895 MHz

^{*2} KX-TDA600BX/KX-TDA600TW: 8

CAUTION

- The CS should be kept free of dust, moisture, high temperature (more than 40 °C), low temperature (less than 0 °C), and vibration, and should not be exposed to direct sunlight.
- The CS should not be placed outdoors (use indoors).
- The CS should not be placed near high-voltage equipment.
- The CS should not be placed on a metal object.
- Do not use this wireless system near another high-power cordless system such as DECT or SS wireless.
- Maintain the distances listed below between equipment in order to prevent noise, interference or the disconnection of a conversation. (The distance may vary depending on the environment.)

Equipment	Distance
CS and office equipment such as a computer, telex, fax machine, etc., or microwaves	More than 2 m
CS and PS	More than 1 m
Each PS	More than 0.5 m
PBX and CS	More than 2 m

Too many CSs in a small area can cause problems due to conflicts over which signal channels each CS can use. Ideally, CSs should be a minimum of 25 m to 40 m apart. However, the required distance between CSs may vary depending on the environment of the installation site and conditions in which the wireless system is used. Conduct the site survey to determine the appropriate distance.

2.10.2 Procedure Overview

When connecting the wireless system, use extreme care in conducting the site survey. Site surveys can be conducted using the KX-TCA255/KX-TCA256/KX-TCA355/KX-TD7590 PS. An incorrectly performed site survey can result in poor service area, frequent noise, and disconnection of calls.

1. Investigate the installation site

Refer to "2.10.3 Site Planning".

- a. Obtain a map of the CS installation site.
- b. Identify the service area required by the user on the map.
- c. Plan the location of each CS, taking account of distance, building materials, etc.

2. Prepare for site survey

Refer to "2.10.4 Before Site Survey".

- a. Check and assign the CS ID number to the PS.
- b. Assign a channel number to each CS by setting the DIP switches on the back of the CS.
- c. Supply electricity to each CS using an AC adaptor/battery box or by connecting them to a CSIF/ DLC/DHLC card.
- d. Install each CS temporarily as planned.

Notes

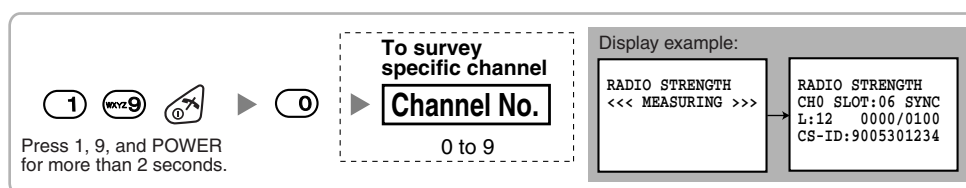
- Install at least 2 m above the floor.
- Keep the antennas in the upright position.

3. Conduct the site survey

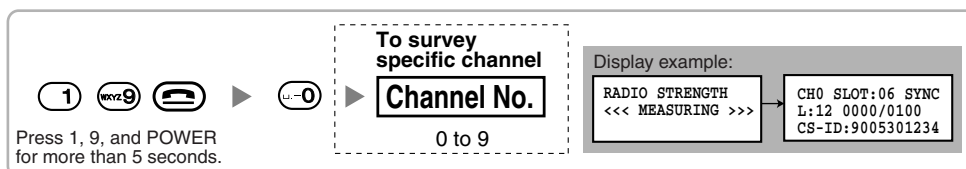
Refer to "2.10.5 Site Survey Using the KX-TCA255/KX-TCA256/KX-TCA355/KX-TD7590".

- a. Test the radio signal strength using the PS.
Confirm that the radio signal strength level is "12" near the CS.

Using the KX-TCA255/KX-TCA256/KX-TCA355



Using the KX-TD7590



- b. By walking away from the CS with the PS, check the radio signal strength. The radio signal strength weakens as you walk away from the CS.
- c. Map the CS coverage area at radio signal strength levels "3" and "8".
- d. Make sure that adjacent CS coverage areas overlap where the radio signal strength level is "8" by at least 5 m.

- e. Make sure that the radio signal strength level is greater than "3" at any location within the service area required by the user.

4. Finish the site survey

Refer to "2.10.6 After Site Survey".

- a. Turn off the PS.
- b. Stop supplying power, and return all DIP switches of each CS to the OFF position.

5. Connect the CS and PS to the PBX and test the operation

Refer to "2.10.7 Connecting a Cell Station to the PBX".

- a. Connect the CSs to the PBX.
- b. Register the PSs to the PBX.
- c. Walk around the service area while having a conversation using a registered PS. If noise is frequent or conversations disconnect, relocate the CSs or install an additional CS.

6. Mount the CS on the wall

Refer to "2.10.8 Wall Mounting".

- a. If there are no problems in testing, mount the CS on the wall.

2.10.3 Site Planning

Choosing the best site for the CS requires careful planning and testing of essential areas. The best location may not always be convenient for installation. Read the following information before installing the unit.

Understanding Radio Waves

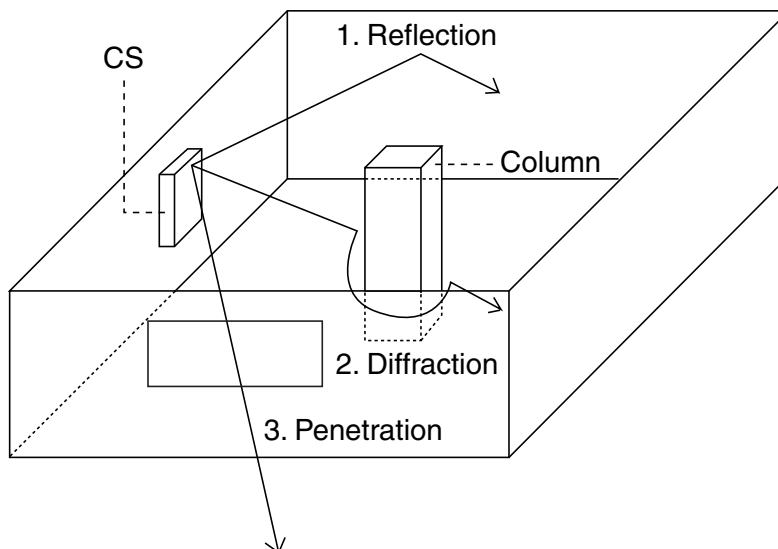
Characteristics of Radio Waves

The transmission of radio waves and the CS coverage area depend on the structure and materials of the building.

Office equipment, such as computers and fax machines, can interfere with radio waves. Such equipment may create noise or interfere with the performance of the PS.

The illustration below shows the special transmitting patterns of radio waves.

1. Radio waves are reflected by objects made of materials such as metal.
2. Radio waves are diffracted by objects such as metallic columns.
3. Radio waves penetrate objects made of materials such as glass.



Relationships Between Radio Waves and Building Structure and Materials

- The CS coverage area is affected more by the building materials and their thickness than the number of obstacles.
- Radio waves tend to be reflected or diffracted by conductive objects and rarely penetrate them.
- Radio waves tend to penetrate insulated objects and are rarely reflected by them.
- Radio waves penetrate thin objects more than thick objects.
- The table below shows the transmission tendency of radio waves when they reach objects made from various materials.

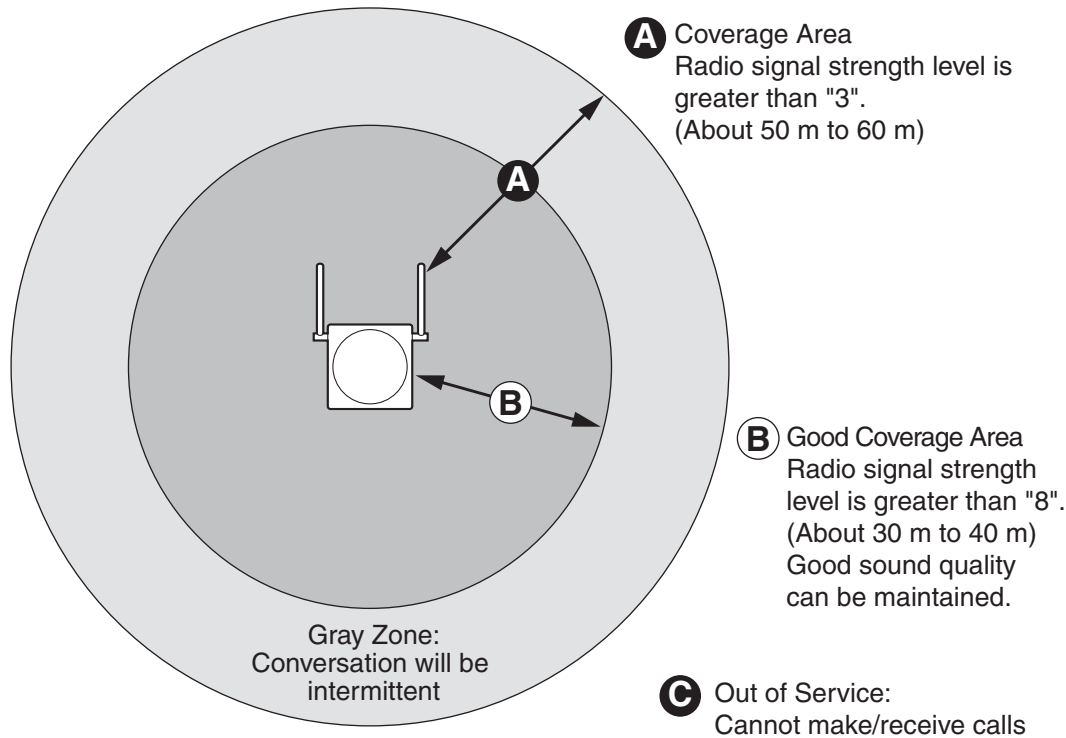
Object	Material	Transmission Tendency
Wall	Concrete	The thicker they are, the less radio waves penetrate them.
	Ferroconcrete	Radio waves can penetrate them, but the more iron there is, the more radio waves are reflected.
Window	Glass	Radio waves usually penetrate them.
	Glass with wire net	Radio waves can penetrate them, but tend to be reflected.
	Glass covered with heat-resistant film	Radio waves are weakened considerably when they penetrate windows.
Floor	Ferroconcrete	Radio waves can penetrate them, but the more iron there is, the more radio waves are reflected.
Partition	Steel	Radio waves are reflected and rarely penetrate them.
	Plywood, Glass	Radio waves usually penetrate them.
Column	Ferroconcrete	Radio waves can penetrate them, but the more iron there is, the more radio waves tend to be reflected or diffracted.
	Metal	Radio waves tend to be reflected or diffracted.
Cabinet	Steel	Radio waves are usually reflected or diffracted, and rarely penetrate them.
	Wood	Radio waves can penetrate them, but they are weakened.

CS Coverage Area

The example below shows the size of the coverage area of 1 CS if it is installed in an area with no obstacles.

Note

Radio signal strength levels are measured during the site survey (refer to "2.10.5 Site Survey Using the KX-TCA255/KX-TCA256/KX-TCA355/KX-TD7590").



Radio Signal Strength Levels

Level: 00	↑	Out of range
Level: 01 to 02		Receives noise easily or disconnects
Level: 03 to 07		May receive noise
Level: 08 to 10	↓	Good
Level: 11 to 12		Better

Site Survey Preparation

1. Obtain a map and investigate the installation site.
 - a. Check the obstacles (e.g., shelves, columns, and partitions).
 - b. Check the materials of the structures (e.g., metal, concrete, and plywood).
 - c. Check the layout and dimensions of the room, corridor, etc.
 - d. Write down the above information on the map.
2. Examine the service area required by the user on the map, referring to the following example.
 - a. Draw the coverage area around a CS. Extend the coverage area 30 m to 60 m in each direction, depending on the materials of the building structures and obstacles in the installation site. Note that a CS cannot be installed outside a building.
 - b. If 1 CS cannot cover the entire service area, install additional CSs as required. Overlap the coverage areas of adjacent CSs.

Where CS coverage areas overlap, the PS will start call handover to the next CS if the signal from one CS becomes weak. However, if a PS moves away from a CS and there are no CSs available for handover, the PS may go out of range and the call could be lost.

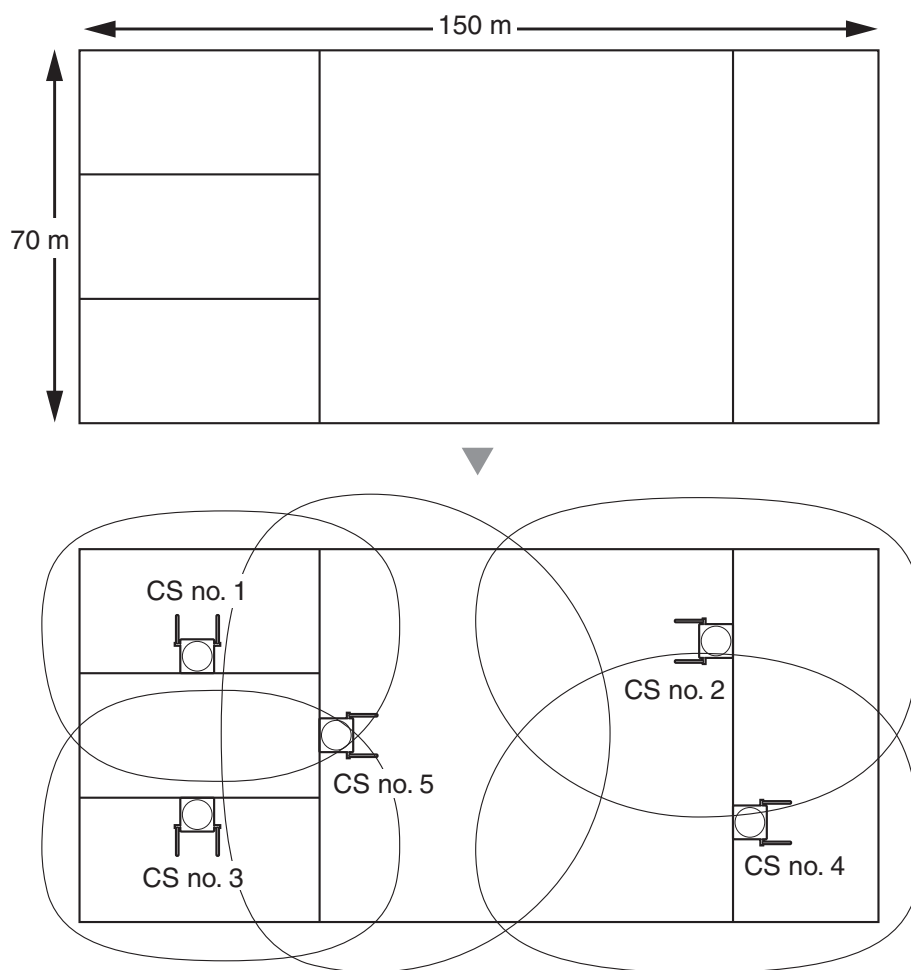
Example: Installing in a Room Separated by Interior Walls

Things to take note of:

- The room is separated by interior walls.
- The room is surrounded by concrete walls.

CS installation plan:

- The coverage area of each CS will not extend as far as when there are no obstacles, because the radio signals will be weakened by separating walls. Therefore, you will need 5 CSs to cover the entire room.



2.10.4 Before Site Survey

Use the KX-TCA255/KX-TCA256/KX-TCA355/KX-TD7590 PS to conduct the site survey.

Note

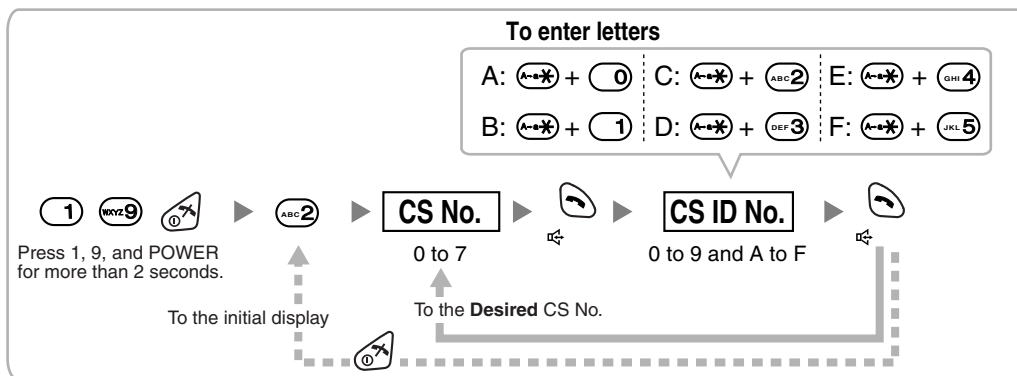
Display prompts for the site survey are only available in English.

Checking the CS ID Number

Check the CS ID number label attached to the CS. If the CS ID number label is not attached to the CS, check the CS ID number using the Maintenance Console. For details, refer to "2.6.14 Utility—CS Information" in the PC Programming Manual.

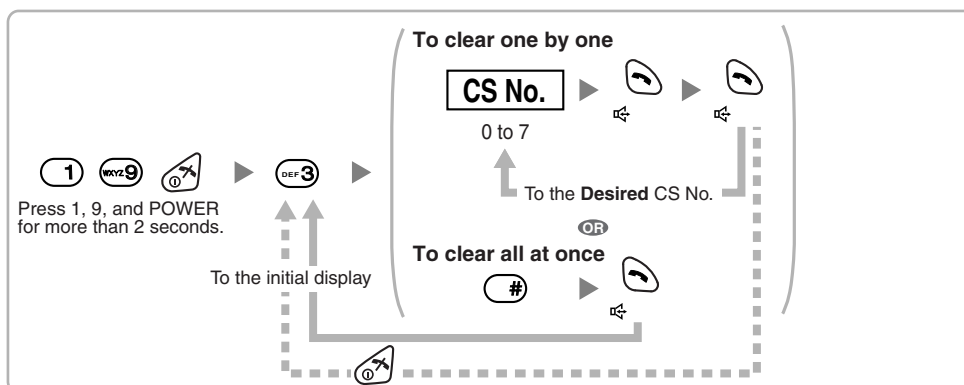
Assigning the CS ID Number to the PS

Using the KX-TCA255/KX-TCA256/KX-TCA355

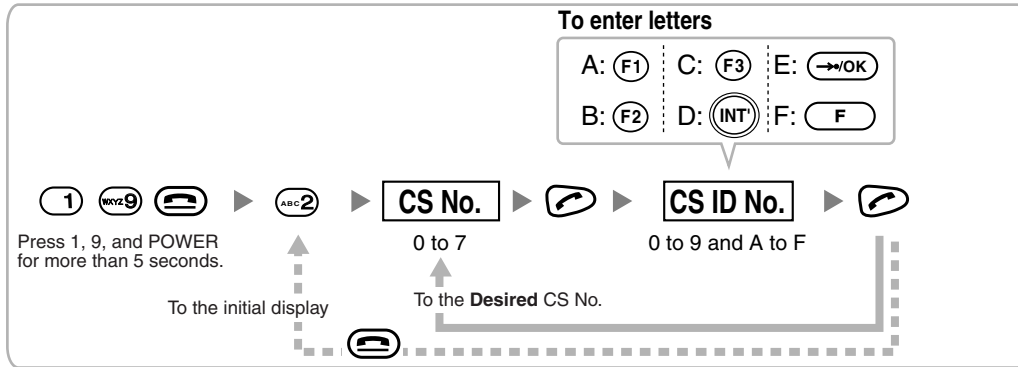


Note

To clear the CS ID number assigned to the PS, follow the procedure below:

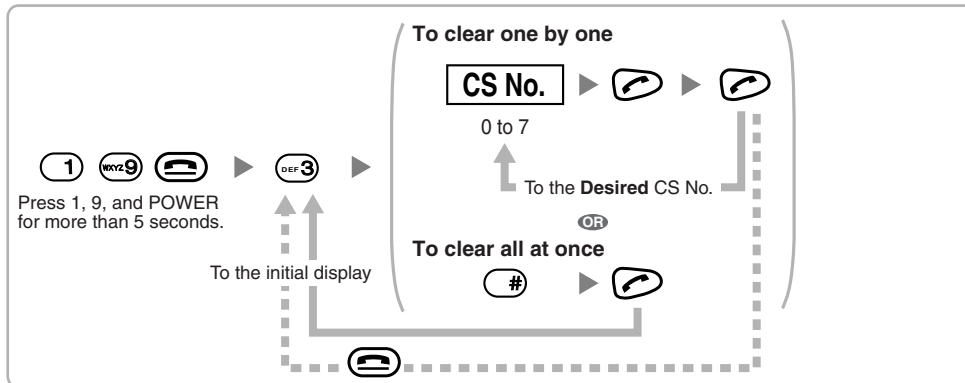


Using the KX-TD7590



Note

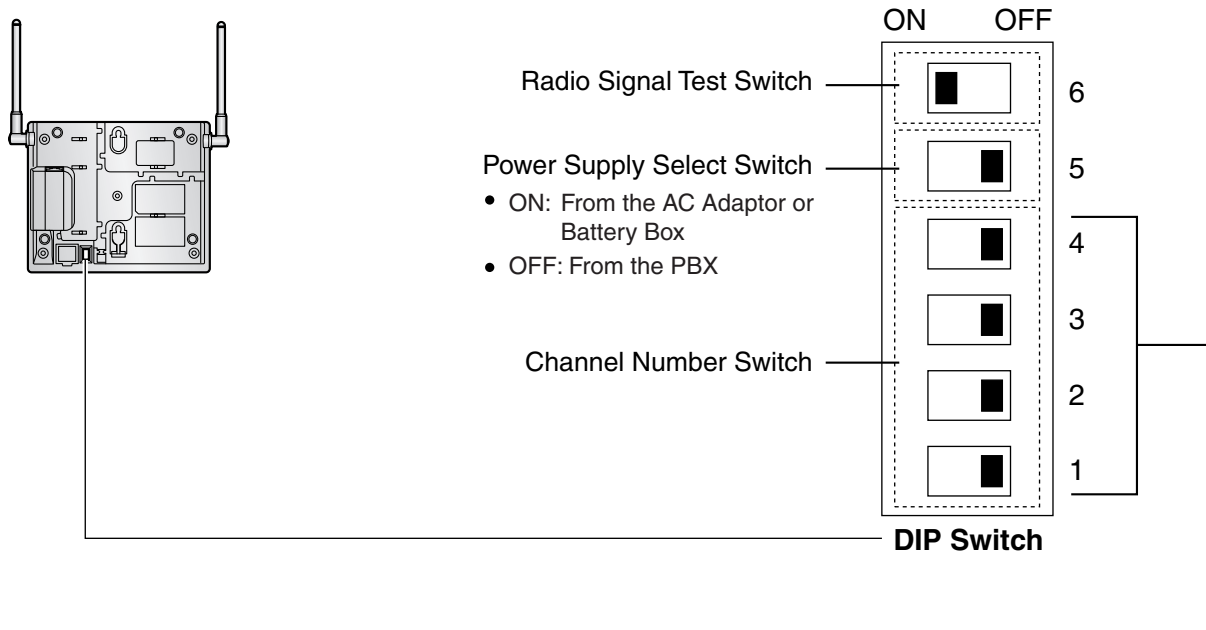
To clear the CS ID number assigned to the PS, follow the procedure below:



Setting and Installing the CS Temporarily for Site Survey

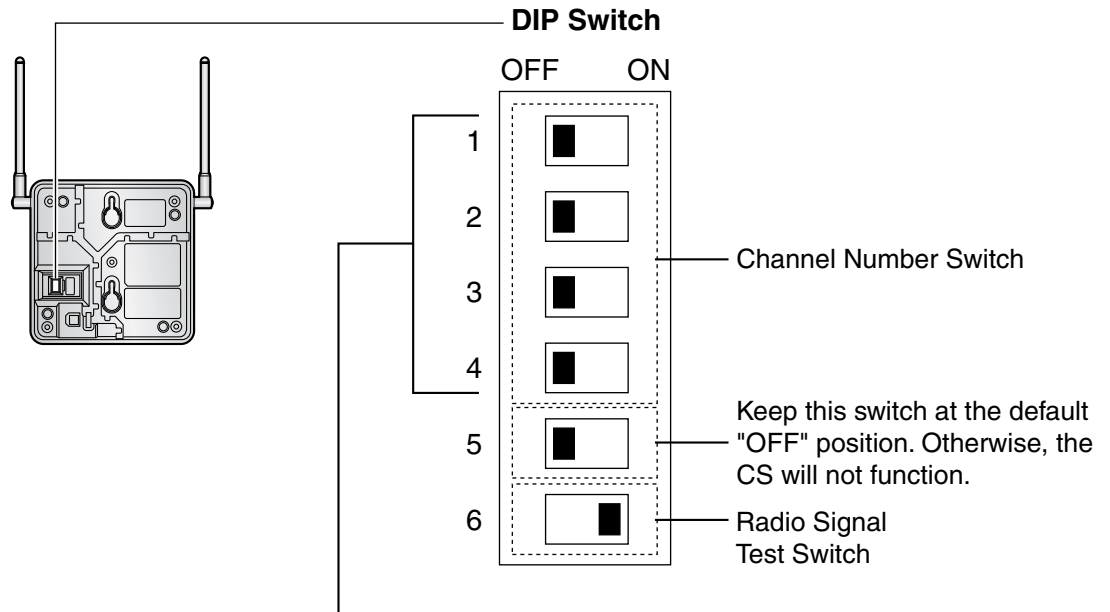
1. Switch the Radio Signal Test switch from OFF to ON.
2. Set the channel number switches as desired.
3. Set the Power Supply Select switch as desired (KX-TDA0158CE only).

KX-TDA0158CE



Channel 0	Channel 1	Channel 2	Channel 3	Channel 4	Channel 5	Channel 6	Channel 7	Channel 8	Channel 9
4 <input type="checkbox"/>	4 <input type="checkbox"/>	4 <input type="checkbox"/>	4 <input type="checkbox"/>	4 <input type="checkbox"/>	4 <input type="checkbox"/>	4 <input type="checkbox"/>	4 <input type="checkbox"/>	4 <input checked="" type="checkbox"/>	4 <input type="checkbox"/>
3 <input type="checkbox"/>	3 <input type="checkbox"/>	3 <input type="checkbox"/>	3 <input type="checkbox"/>	3 <input checked="" type="checkbox"/>	3 <input type="checkbox"/>	3 <input type="checkbox"/>	3 <input checked="" type="checkbox"/>	3 <input type="checkbox"/>	3 <input type="checkbox"/>
2 <input type="checkbox"/>	2 <input type="checkbox"/>	2 <input checked="" type="checkbox"/>	2 <input checked="" type="checkbox"/>	2 <input type="checkbox"/>	2 <input type="checkbox"/>	2 <input checked="" type="checkbox"/>	2 <input checked="" type="checkbox"/>	2 <input type="checkbox"/>	2 <input checked="" type="checkbox"/>
1 <input type="checkbox"/>	1 <input checked="" type="checkbox"/>	1 <input type="checkbox"/>	1 <input checked="" type="checkbox"/>	1 <input type="checkbox"/>	1 <input checked="" type="checkbox"/>	1 <input type="checkbox"/>	1 <input checked="" type="checkbox"/>	1 <input type="checkbox"/>	1 <input checked="" type="checkbox"/>

KX-TDA0141CE/KX-TDA0142CE



Channel 0	Channel 1	Channel 2	Channel 3	Channel 4	Channel 5	Channel 6	Channel 7	Channel 8	Channel 9
1 <input type="checkbox"/>	1 <input type="checkbox"/>	1 <input type="checkbox"/>	1 <input type="checkbox"/>	1 <input type="checkbox"/>	1 <input type="checkbox"/>	1 <input type="checkbox"/>	1 <input type="checkbox"/>	1 <input type="checkbox"/>	1 <input type="checkbox"/>
2 <input type="checkbox"/>	2 <input type="checkbox"/>	2 <input type="checkbox"/>	2 <input type="checkbox"/>	2 <input type="checkbox"/>	2 <input type="checkbox"/>	2 <input type="checkbox"/>	2 <input type="checkbox"/>	2 <input type="checkbox"/>	2 <input type="checkbox"/>
3 <input type="checkbox"/>	3 <input type="checkbox"/>	3 <input type="checkbox"/>	3 <input type="checkbox"/>	3 <input type="checkbox"/>	3 <input type="checkbox"/>	3 <input type="checkbox"/>	3 <input type="checkbox"/>	3 <input type="checkbox"/>	3 <input type="checkbox"/>
4 <input type="checkbox"/>	4 <input type="checkbox"/>	4 <input type="checkbox"/>	4 <input type="checkbox"/>	4 <input type="checkbox"/>	4 <input type="checkbox"/>	4 <input type="checkbox"/>	4 <input type="checkbox"/>	4 <input type="checkbox"/>	4 <input type="checkbox"/>

Note

If more than 1 CS is in Radio Signal Test mode, each CS must have a unique channel number.

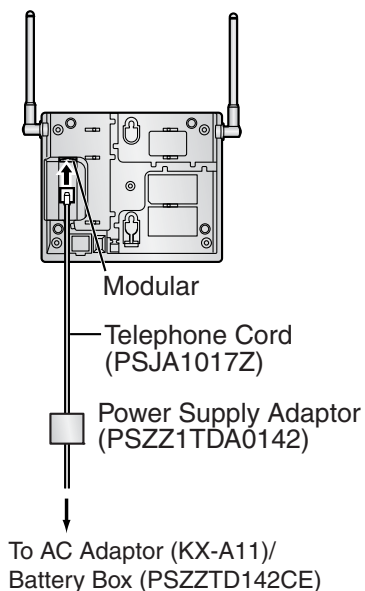
2.10 Connection of DECT Portable Stations

- After setting the DIP switches, connect the CS to an AC adaptor/battery box using a power supply adaptor.

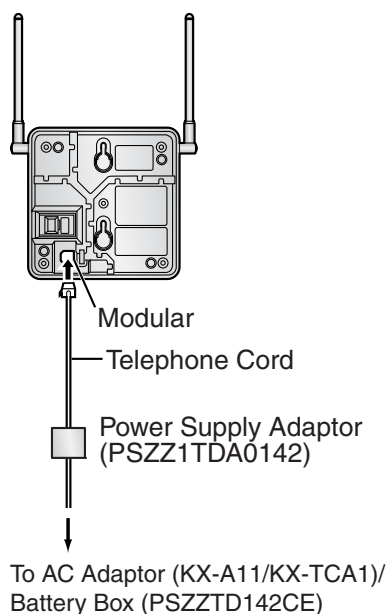
Notes

- The AC adaptor should be connected to a vertically oriented or floor-mounted AC outlet. Do not connect the AC adaptor to a ceiling-mounted AC outlet, as the weight of the adaptor may cause it to become disconnected.
- For users in the United Kingdom:**
240 V AC must not be used on a building site. Instead of an AC adaptor, connect a battery box to the CS.
- If the Power Supply Select switch is set to ON in step 3, connect the CS to an AC adaptor/battery box. If it is set to OFF, connect the CS to a DLC/DHLC card (KX-TDA0158CE only).

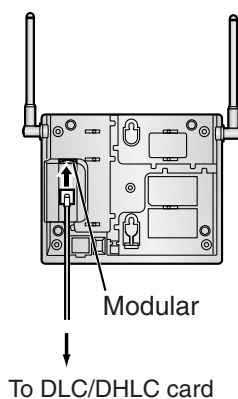
KX-TDA0158CE



KX-TDA0141CE/ KX-TDA0142CE



OR



- Install the CS temporarily for the site survey. Install the CS at least 2 m above the floor, keeping the antennas in the upright position.

2.10.5 Site Survey Using the KX-TCA255/KX-TCA256/KX-TCA355/KX-TD7590

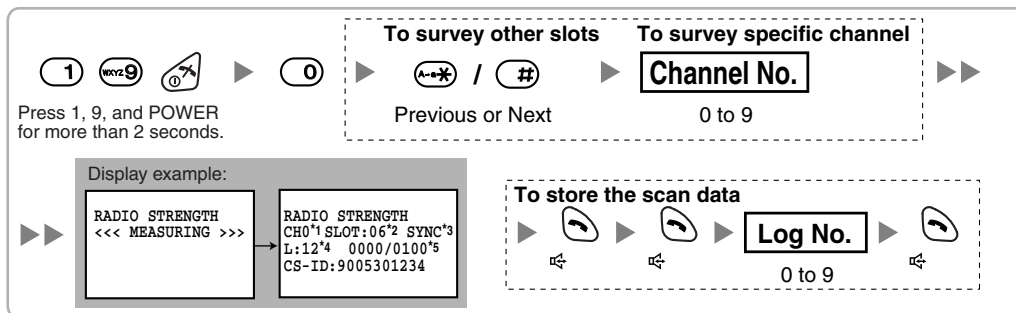
The PS has a Radio Signal Test mode that monitors the state of the radio link to the CS for site survey. In Radio Signal Test mode, the frame loss and signal strength of a synchronous slot, and the signal strength of the other slots can be measured when the PS is monitoring the CS. After installing the CSs temporarily as planned during site planning, set the PS to Radio Signal Test mode and locate each CS to measure its coverage area. Then, record the results on the map of the installation site.

Testing the Radio Signal Strength

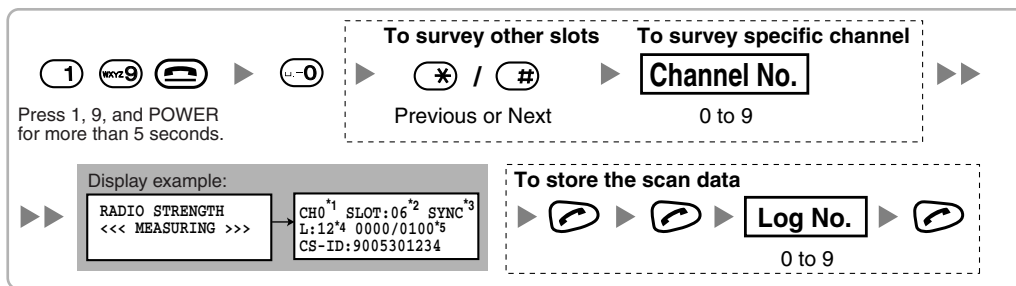
After locating the CS(s) temporarily, execute the Radio Signal Test using the PS. Directly after entering Radio Signal Test mode, the PS scans channel 0 for a CS that it can connect to. The channel to be scanned can be changed by pressing the appropriate keys 0 through 9.

1. Enter Radio Signal Test mode.

Using the KX-TCA255/KX-TCA256/KX-TCA355



Using the KX-TD7590



Notes

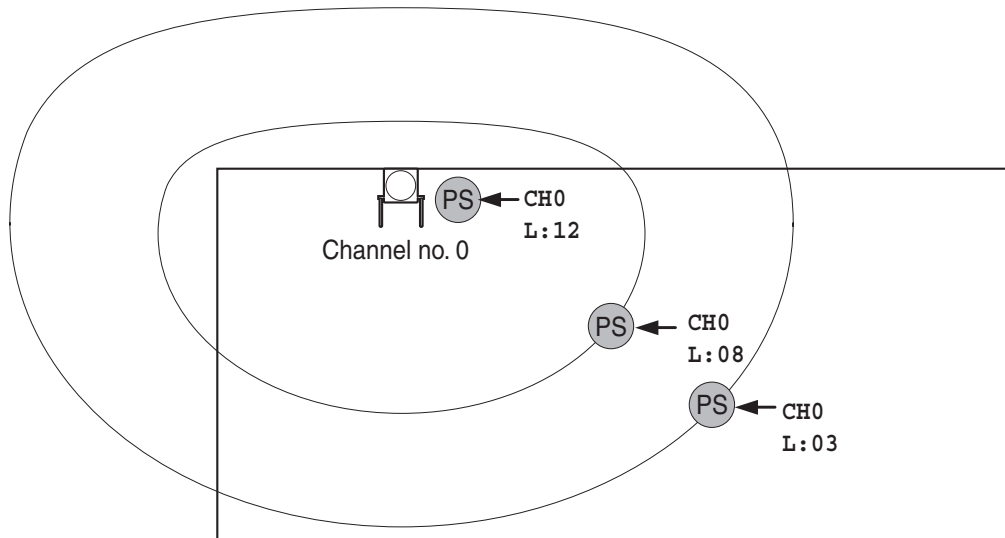
- *1: Channel number
- *2: Slot number
- *3: When a slot is synchronised, "SYNC" is displayed.
- *4: Radio signal strength level
- *5: Frame error (0000 to 9999)/Frame counter (0000 to 9999). Frame error indicates the number of errors out of 10 000 radio signal receptions. An increased number of frame errors indicates greater radio signal interference and more frequent noise during conversation. The ideal number of frame errors is "0000".

CAUTION

Storing the scan data will clear all directory data.

2.10 Connection of DECT Portable Stations

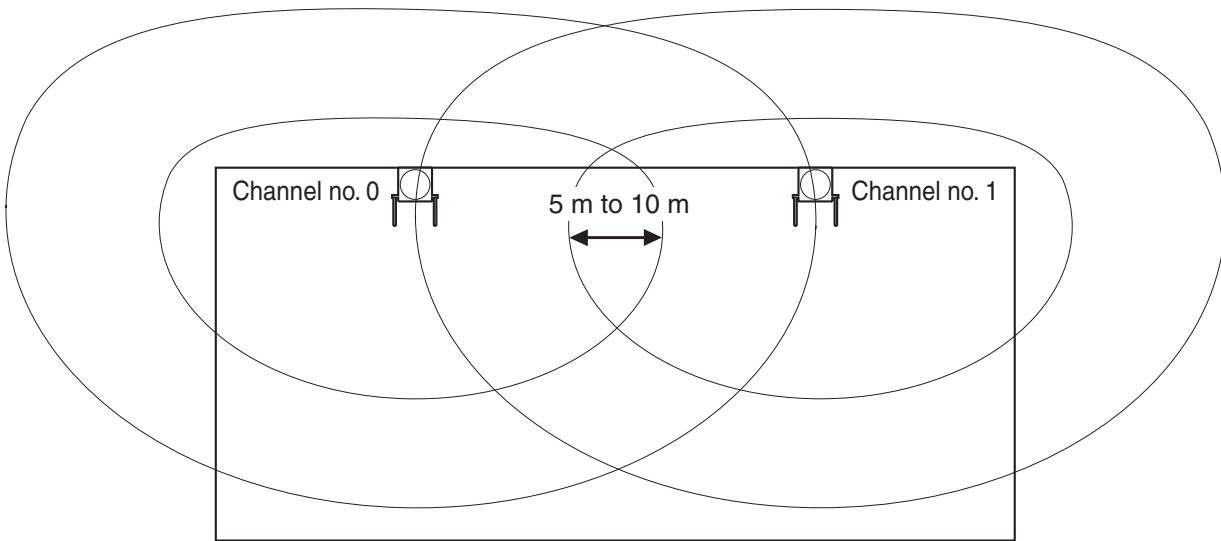
2. Measure the radio signal strength by moving towards and away from the CS.
 - a. Move to the CS until the radio signal strength level becomes "12".
 - b. Move away from the CS and identify the CS coverage area within which the radio signal strength level is greater than "8". Draw the area on the map.
 - c. Move away from the CS and identify the CS coverage area within which the radio signal strength level is greater than "3". Draw the area on the map.



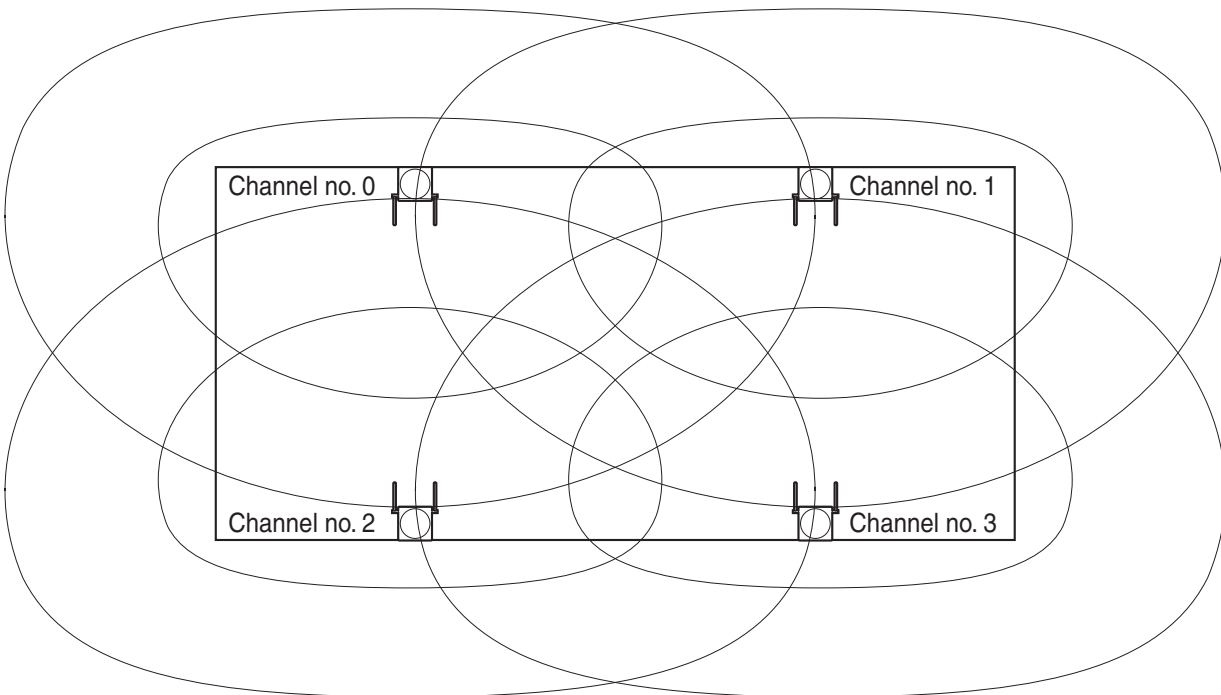
Radio Signal Strength Levels

Level: 00	↑	Out of range
Level: 01 to 02		Receives noise easily or disconnects
Level: 03 to 07		May receive noise
Level: 08 to 10	↓	Good
Level: 11 to 12		Better

3. Repeat steps 1 and 2 for other CSs, and relocate the CSs when necessary.
 - a. Overlap adjacent CS coverage areas where the radio signal strength level is "8" by 5 m to 10 m.



- b. Overlap the CS coverage areas of at least 2 CSs at any location in the installation site.




- c. Make sure that the radio signal strength level is greater than "3" at any location in the service area required by the user.

Notes

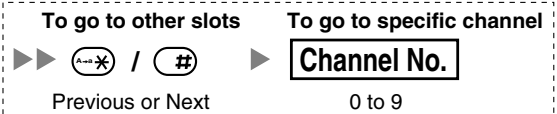
- If a channel is set, the results of measurement for the 24 slots on the channel are saved each time. If the same channel is set, the new results override the previous ones. Therefore, a measurement of 10 channels × 24 slots in total can be made.
- If correct results cannot be obtained (e.g., there are many frame errors), change the location of the CS and repeat the site survey to select the best location.

Referring to the Stored Scan Data


Using the KX-TCA255/KX-TCA256/KX-TCA355

 Press 1, 9, and POWER for more than 2 seconds. 0 to 9

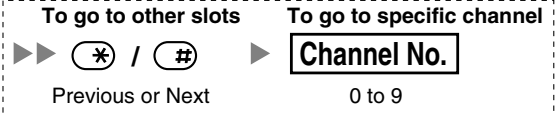
To go to other slots **To go to specific channel**

 Previous or Next 0 to 9

Using the KX-TD7590

 Press 1, 9, and POWER for more than 5 seconds. 0 to 9

To go to other slots **To go to specific channel**

 Previous or Next 0 to 9

Clearing the Stored Scan Data

When "CLEAR SCAN DATA" is displayed after turning on the PS, you are required to clear the scan data.

Using the KX-TCA255/KX-TCA256/KX-TCA355

 Press 1, 9, and POWER for more than 2 seconds. 0 to 9

Using the KX-TD7590

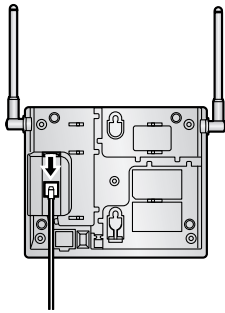
 Press 1, 9, and POWER for more than 5 seconds. 0 to 9

2.10.6 After Site Survey

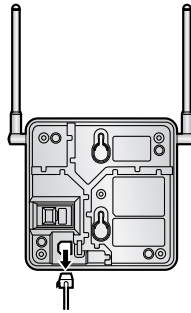
After obtaining the proper measurement results, exit Radio Signal Test mode before connecting the CS to the PBX.

1. Hold down the POWER button on the PS until the PS is turned OFF.
2. Disconnect the CS from the AC adaptor/battery box or the CSIF/DLC/DHLC card to stop supplying electricity.

KX-TDA0158CE

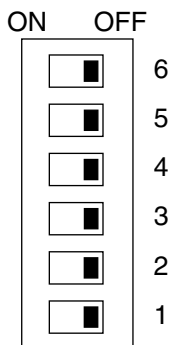


**KX-TDA0141CE/
KX-TDA0142CE**

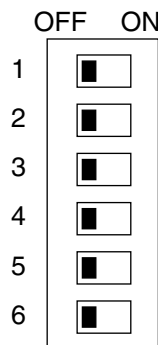


3. Switch all DIP switches on the CS from ON to OFF.

KX-TDA0158CE



**KX-TDA0141CE/
KX-TDA0142CE**

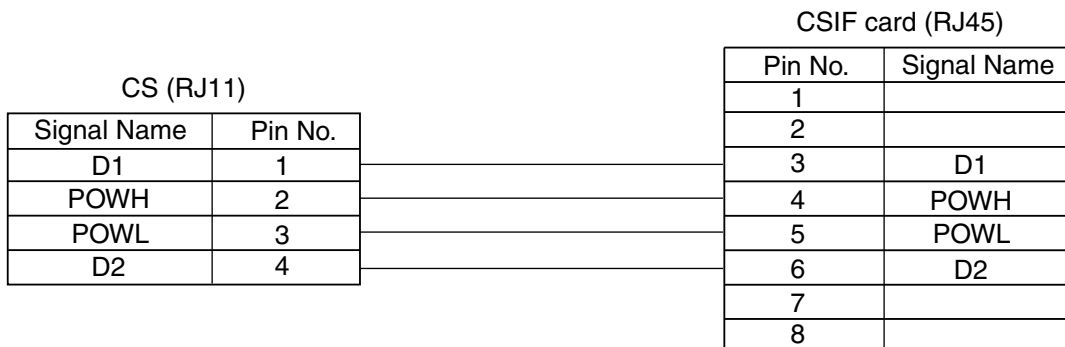
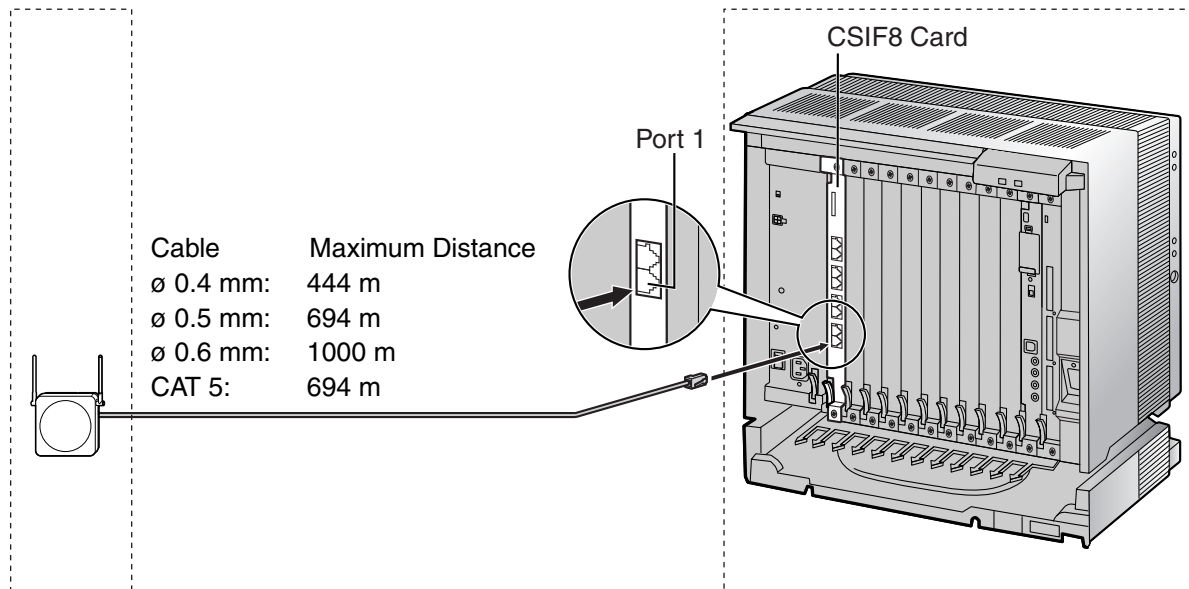


2.10.7 Connecting a Cell Station to the PBX

Using a CSIF Card

Refer to the following example to connect a CS to the PBX.

KX-TDA0142CE



Accessories and User-supplied Items for the CS

Accessories (included): Screws × 2, Washers × 2, Ferrite core × 1

User-supplied (not included): RJ11 connector

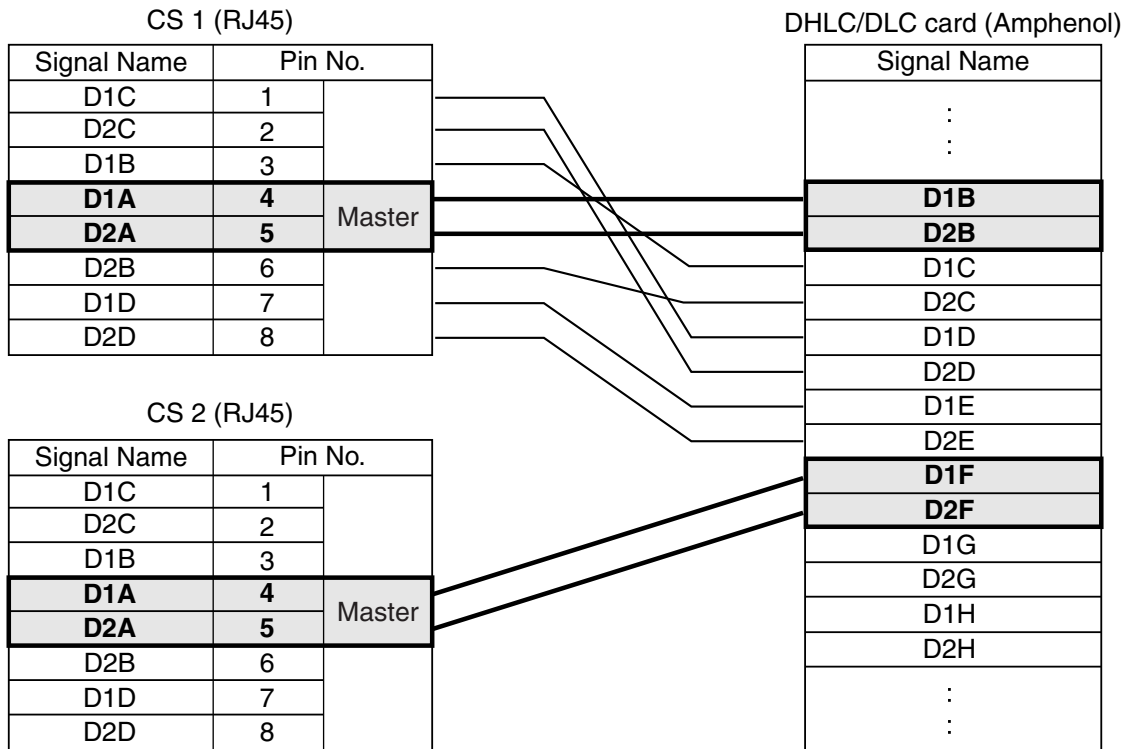
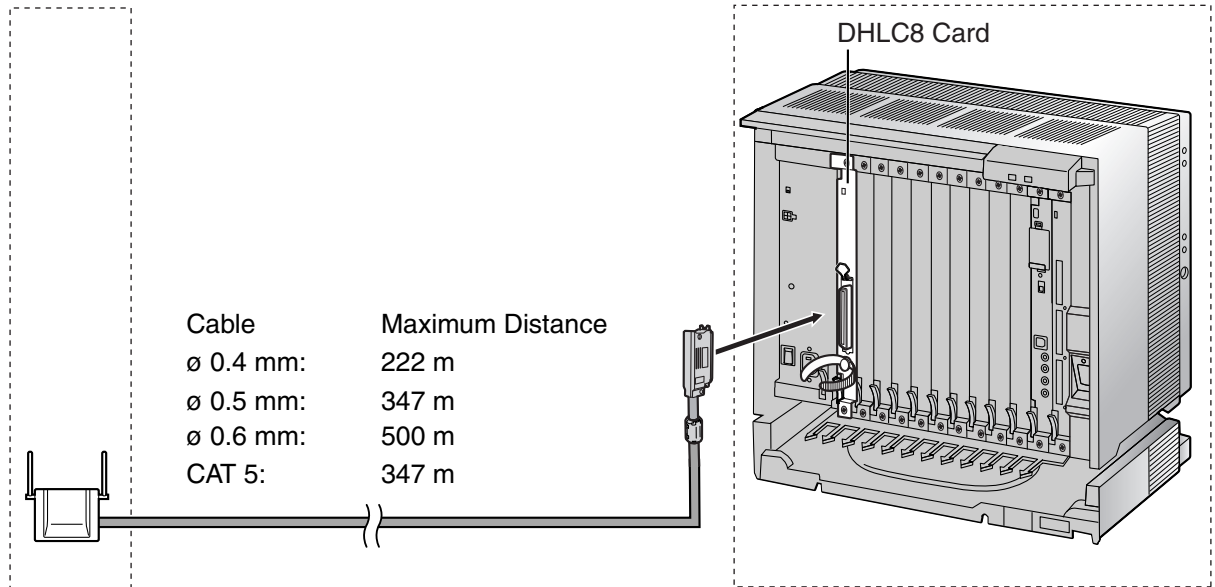
Note

For details about CSIF card, refer to "2.7.1 CSIF4 Card (KX-TDA0143) and CSIF8 Card (KX-TDA0144)".

Using a DHLC/DLC Card

Refer to the following examples to connect a CS to the PBX.

KX-TDA0158CE



Accessories and User-supplied Items for the CS

Accessories (included): Screws × 2, Washers × 2

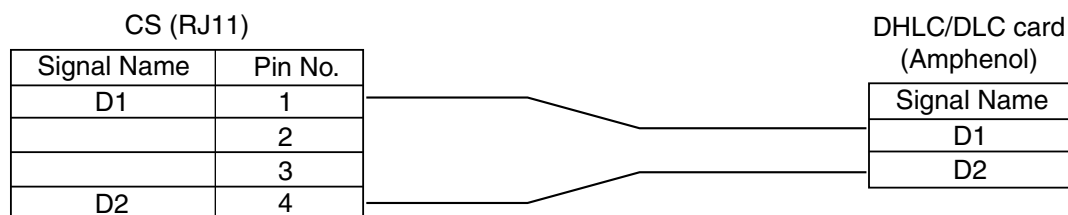
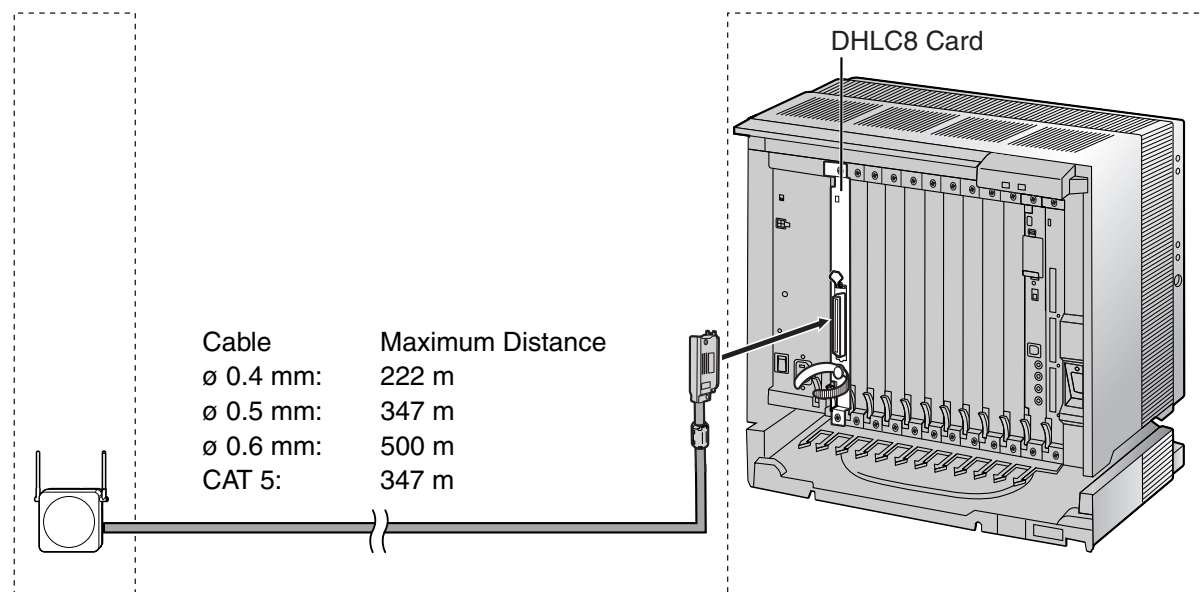
User-supplied (not included): RJ45 connector

2.10 Connection of DECT Portable Stations

Notes

- The no. 4 and no. 5 pins (Master) of the CS must be connected to a pair of pins on the DHLC/DLC card. Then use 4 consecutive pairs of pins on the DHLC/DLC card, starting with the pins corresponding to the Master, as in the example above.
- When connecting multiple KX-TDA0158CE CSs to a DHLC/DLC card, make sure that the no. 4 and no. 5 pins (Master) of adjacent CSs are at least 3 pairs of pins away on the card.
- CS connections must be made within the same DHLC/DLC card.
- When a wrong connection is made, satisfactory performance of the CS cannot be guaranteed. Check the connection of CS and the PBX using the Maintenance Console. For information about how to view CS information using the Maintenance Console, refer to "2.6.14 Utility—CS Information" in the PC Programming Manual.

KX-TDA0141CE



Accessories and User-supplied Items for the CS

Accessories (included): Screws × 2, Washers × 2

User-supplied (not included): RJ11 connector

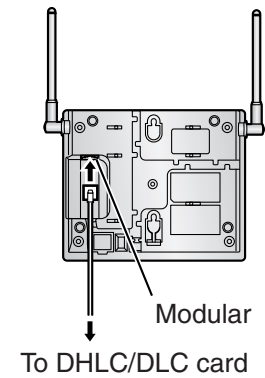
Note

For details about DHLC card or DLC card, refer to "2.7.2 DHLC8 Card (KX-TDA0170)", "2.7.3 DLC8 Card (KX-TDA0171)", or "2.7.4 DLC16 Card (KX-TDA0172)".

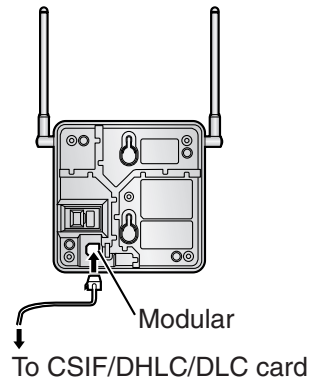
Connecting the CS

1. Connect the cable from the CSIF/DHLC/DLC card to the CS.

KX-TDA0158CE

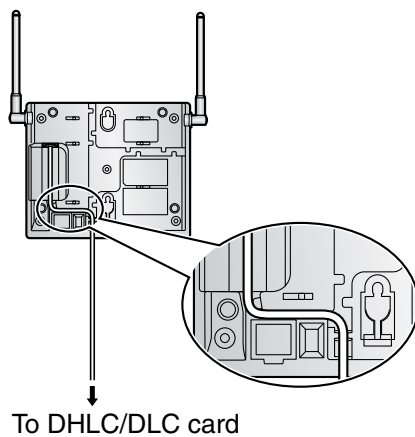


**KX-TDA0141CE/
KX-TDA0142CE**

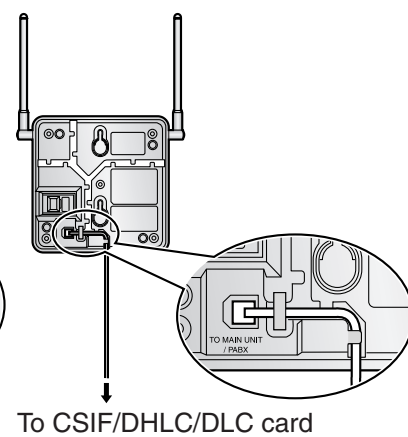


2. Pass the cable through the groove of the CS (in any direction depending on your preference).

KX-TDA0158CE



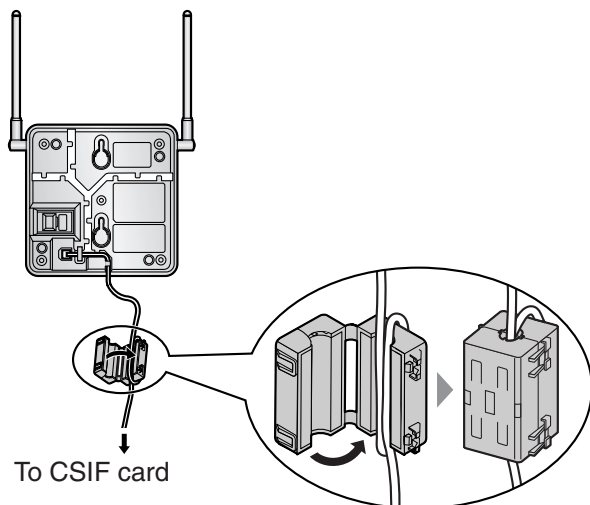
**KX-TDA0141CE/
KX-TDA0142CE**



2.10 Connection of DECT Portable Stations

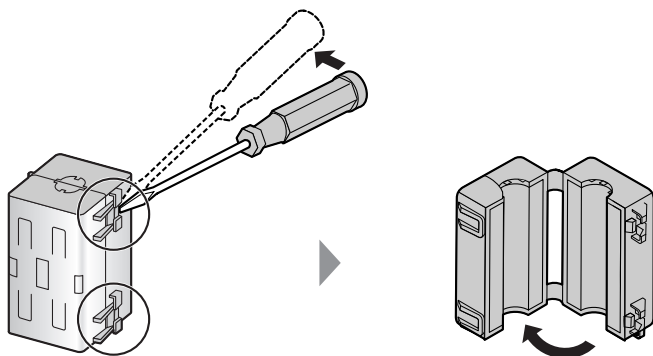
For the KX-TDA0142CE User only:

3. Wrap the cable once around the ferrite core. Then close the case of the ferrite core.



Note

If you need to open the ferrite core, use a flathead screwdriver to unlatch the case of the ferrite core.



Registering the PS

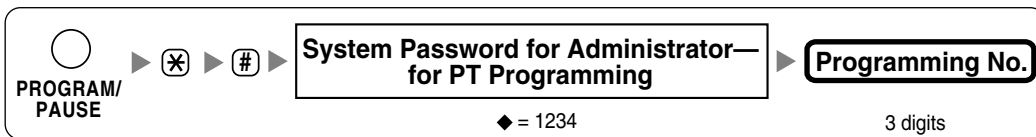
The PS must be registered to the PBX before it can be used. Programming of both the PS and PBX is required. A PT with multiline display (e.g., KX-T7636 6-line display) is required to perform the PBX system programming.

Note

For details about system programming using a PT, refer to "2.3.2 PT Programming" in the Feature Guide, and "2.1 PT Programming" in the PT Programming Manual.

Entering the PBX System Programming Mode Using a PT

Administrator Level

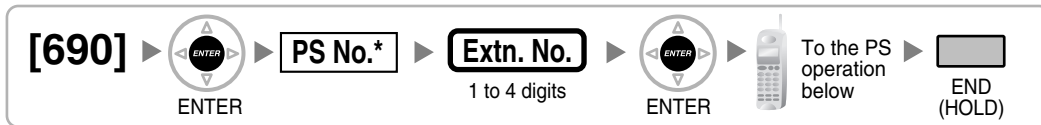


Note

◆ means default value.

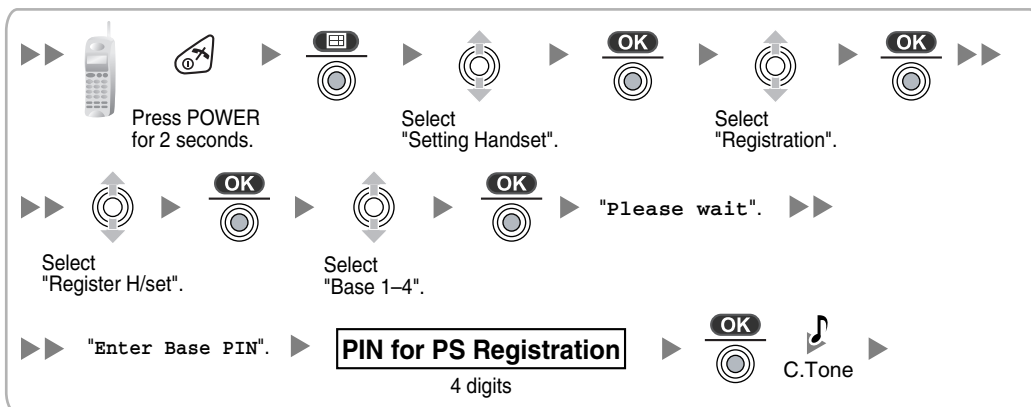
PS Registration

One PS can be registered to a maximum of 4 different PBXs.



- * Without an EMEC card installed: 001 to 256.
With an EMEC card installed: 001 to 512.

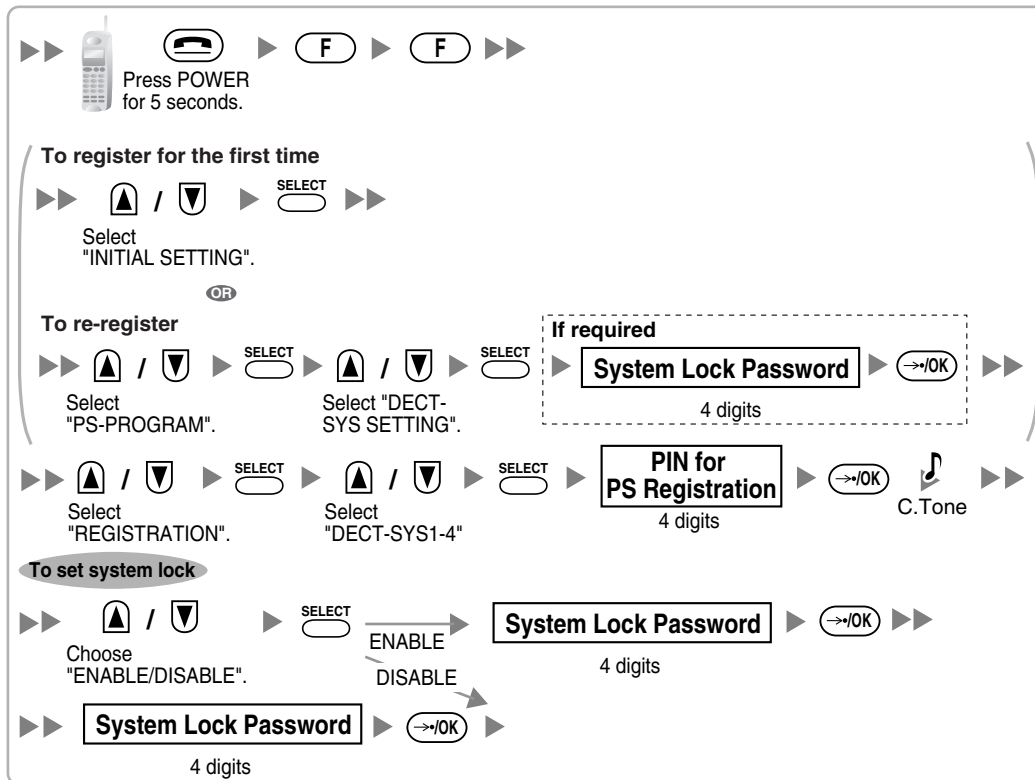
Using the KX-TCA155/KX-TCA255/KX-TCA256/KX-TCA355



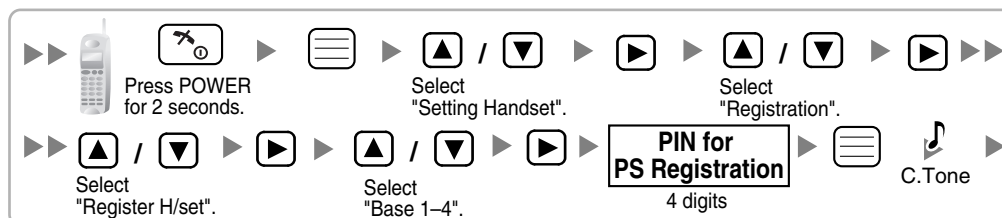
2.10 Connection of DECT Portable Stations

Using the KX-TD7590

System lock can be set after PS registration. When system lock is enabled, the system lock password will be required for system setting.



Using the KX-TD7580



Setting the Personal Identification Number (PIN) for PS Registration

To prevent registering the PS to a wrong PBX, a PIN for PS registration can be set to the PBX. Before registering the PS to the PBX, enter the PIN set to the PBX into the PS. By doing so, the PS will only be registered to the PBX with the matching PIN.

Notes

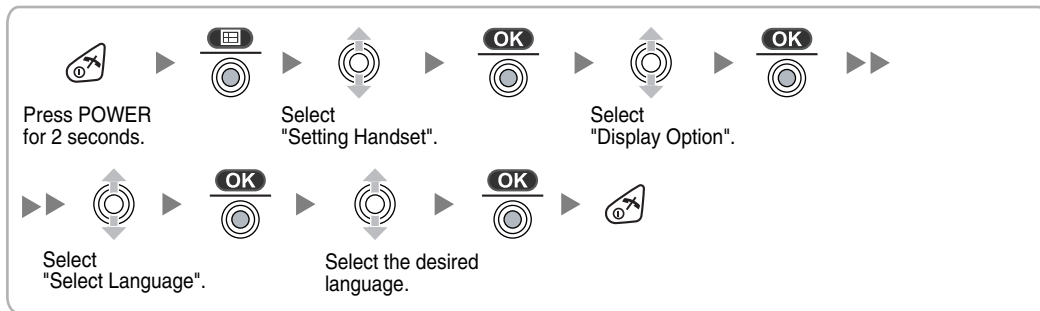
- By default, the PIN for PS registration is "1234" for both the PBX and PS. Therefore, the PS can be registered to the PBX without setting the PIN.
- The PIN for PS registration will only be used when registering the PS to the PBX. Therefore, during normal operation after registration, even if there is more than 1 PBX with the same PIN near the PS, the PS will not be inadvertently linked to a different PBX.

Setting the PIN for PBX

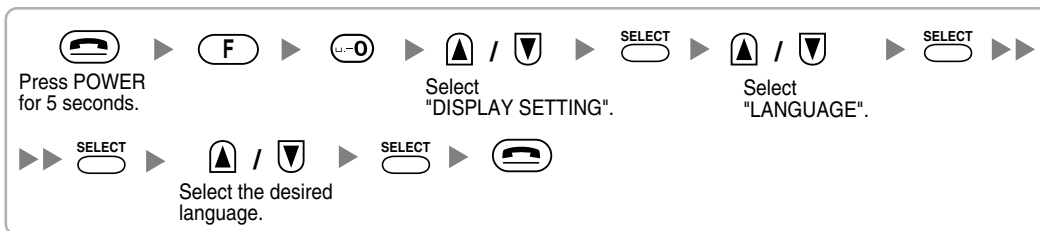


Changing the Display Language of the PS

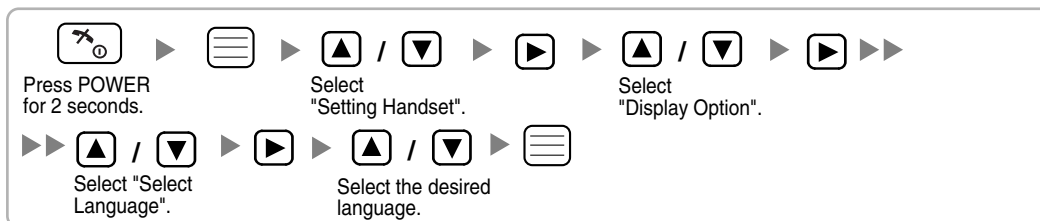
Using the KX-TCA155/KX-TCA255/KX-TCA256/KX-TCA355



Using the KX-TD7590



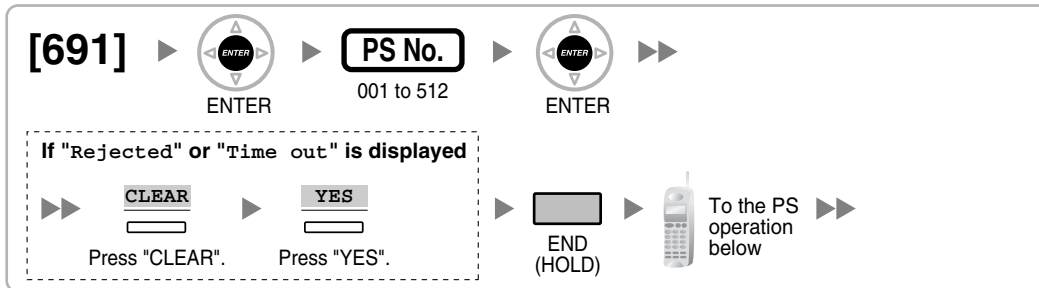
Using the KX-TD7580



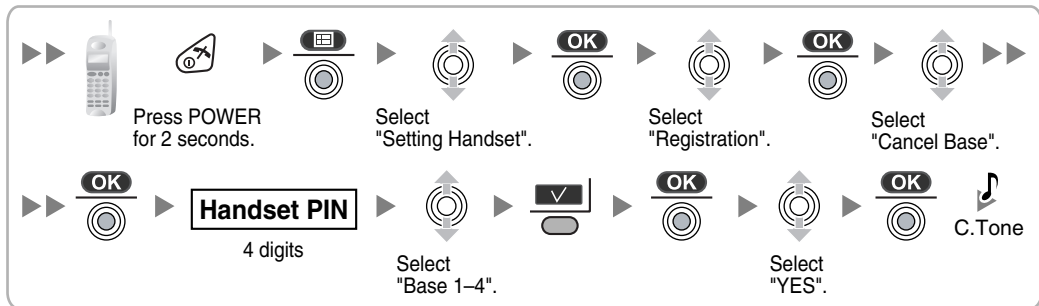
PS Termination

Confirm the following before cancelling the PS registration:

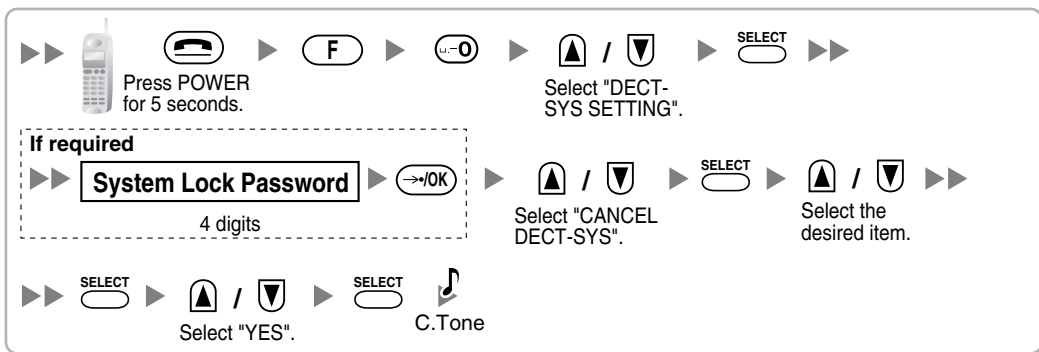
- The PS is turned on.
- The PS is within range.



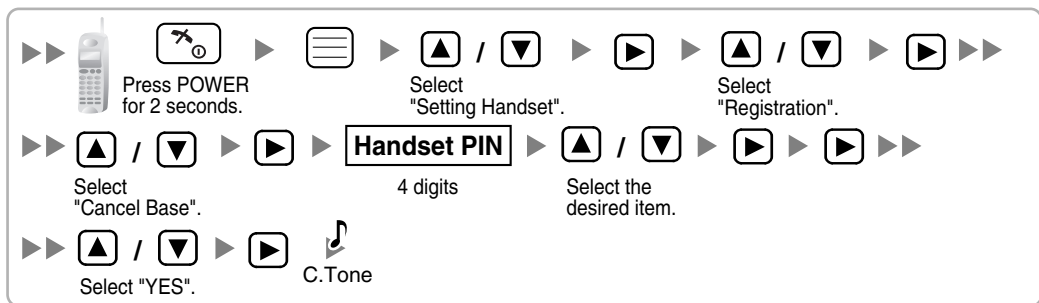
If the registration information is still stored in the PS Using the KX-TCA155/KX-TCA255/KX-TCA256/KX-TCA355



Using the KX-TD7590



Using the KX-TD7580



Testing the Operation

Walk around the service area while having a conversation using a registered PS. If noise is frequent or conversations disconnect, relocate the CSs or install an additional CS.

2.10.8 Wall Mounting

Mounting the KX-TDA0158CE

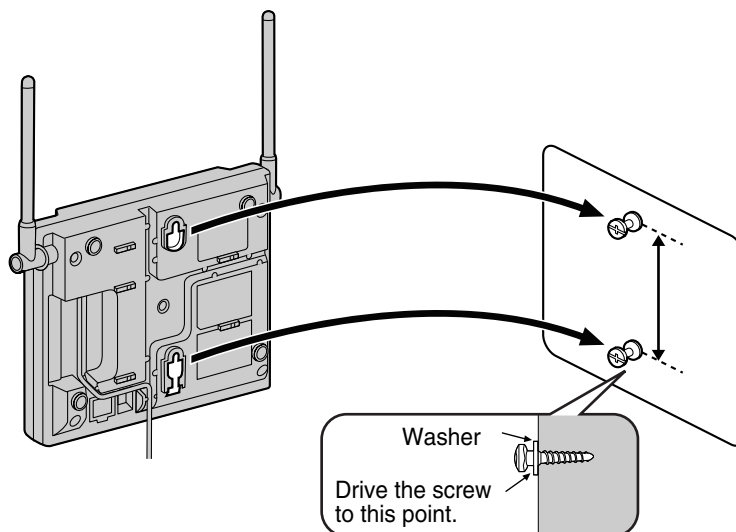
WARNING

- **MAKE SURE THAT THE WALL THAT THE UNIT WILL BE ATTACHED TO IS STRONG ENOUGH TO SUPPORT THE UNIT (APPROX. 310 g). IF NOT, IT IS NECESSARY FOR THE WALL TO BE REINFORCED.**
- **ONLY USE THE WALL-MOUNTING EQUIPMENT (SCREWS, WASHERS) INCLUDED WITH THE UNIT.**
- **WHEN DRIVING THE SCREWS INTO THE WALL, BE CAREFUL TO AVOID TOUCHING ANY METAL LATHS, WIRE LATHS OR METAL PLATES IN THE WALL.**
- **WHEN THIS PRODUCT IS NO LONGER IN USE, MAKE SURE TO DETACH IT FROM THE WALL.**

1. Place the reference for wall mounting (KX-TDA0158CE) on the wall to mark the 2 screw positions.
2. Install the 2 screws and washers (included) into the wall.

Notes

- Make sure that the screw heads are at the same distance from the wall.
 - Install the screws perpendicular to the wall.
3. Hook the CS on the screw heads.

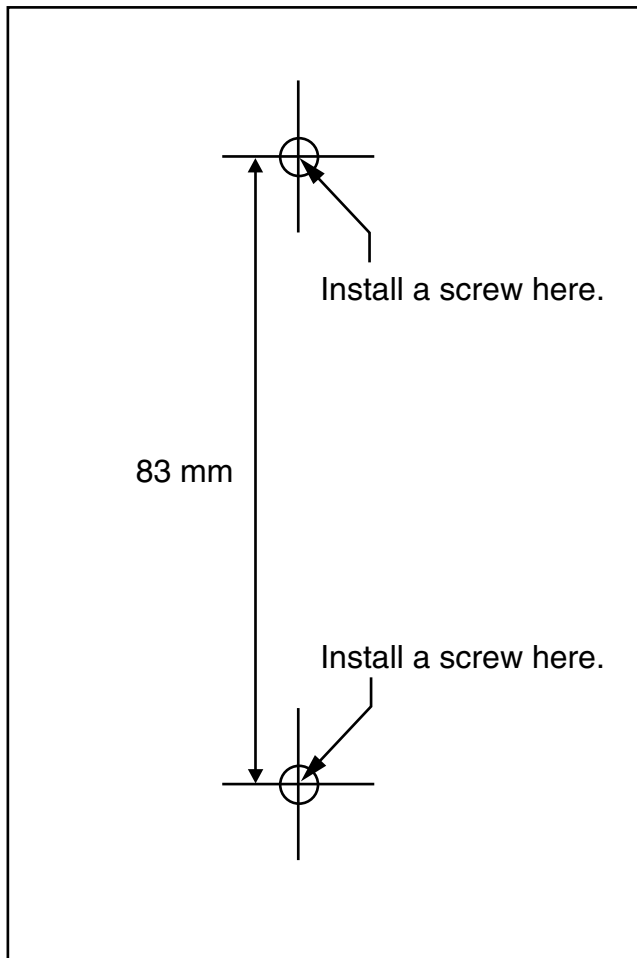


CAUTION

Make sure the cables are securely fastened to the wall.

Reference for Wall Mounting (KX-TDA0158CE)

Please copy this page and use as a reference for wall mounting.



Note

Make sure to set the print size to correspond with the size of this page. If the dimension of the paper output still deviates slightly from the measurement indicated here, use the measurement indicated here.

Mounting the KX-TDA0141CE/KX-TDA0142CE

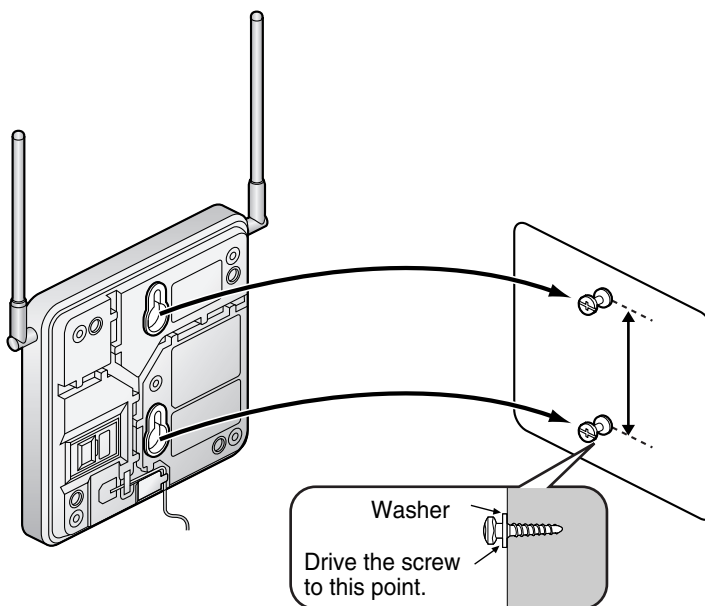
WARNING

- **MAKE SURE THAT THE WALL THAT THE UNIT WILL BE ATTACHED TO IS STRONG ENOUGH TO SUPPORT THE UNIT (APPROX. 310 g). IF NOT, IT IS NECESSARY FOR THE WALL TO BE REINFORCED.**
- **ONLY USE THE WALL-MOUNTING EQUIPMENT (SCREWS, WASHERS) INCLUDED WITH THE UNIT.**
- **WHEN DRIVING THE SCREWS INTO THE WALL, BE CAREFUL TO AVOID TOUCHING ANY METAL LATHS, WIRE LATHS OR METAL PLATES IN THE WALL.**
- **WHEN THIS PRODUCT IS NO LONGER IN USE, MAKE SURE TO DETACH IT FROM THE WALL.**

1. Place the reference for wall mounting (KX-TDA0141CE/KX-TDA0142CE) on the wall to mark the 2 screw positions.
2. Install the 2 screws and washers (included) into the wall.

Notes

- Make sure that the screw heads are at the same distance from the wall.
 - Install the screws perpendicular to the wall.
3. Hook the CS on the screw heads.

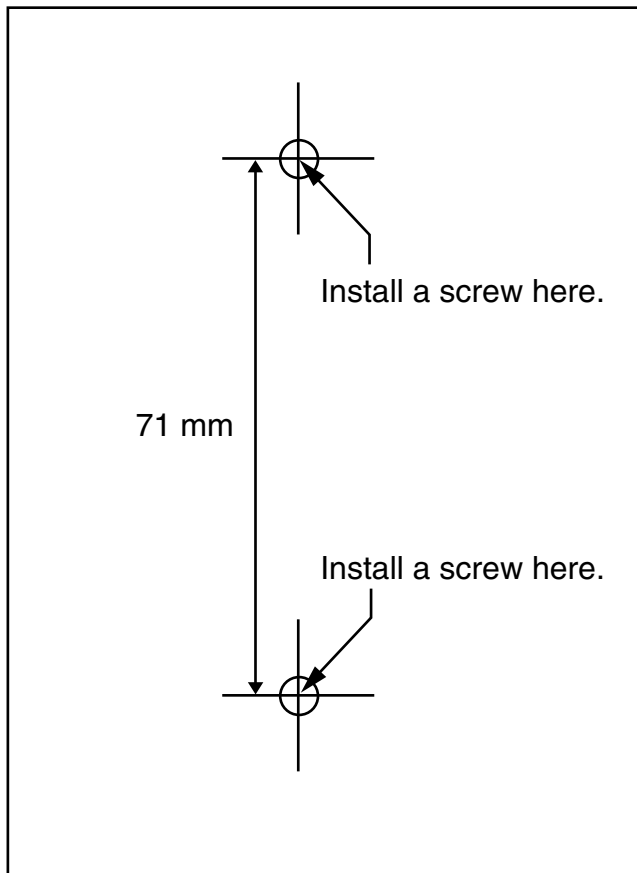


CAUTION

Make sure the cables are securely fastened to the wall.

Reference for Wall Mounting (KX-TDA0141CE/KX-TDA0142CE)

Please copy this page and use as a reference for wall mounting.



Note

Make sure to set the print size to correspond with the size of this page. If the dimension of the paper output still deviates slightly from the measurement indicated here, use the measurement indicated here.

2.11 Connection of 2.4 GHz Portable Stations

2.11.1 Overview

Required Equipment and Maximum Number of Calls

CSs determine the area covered by the wireless system. The number of calls that can be made simultaneously through each CS varies depending on the model, as follows:

CS	Connection Card	Maximum Calls	Compatible PSs
KX-TDA0151	DHLC/DLC	2	<ul style="list-style-type: none"> • KX-TD7684 • KX-TD7694 • KX-TD7680 • KX-TD7690
KX-TDA0152	CSIF	3	
KX-TDA0141	DHLC/DLC	2	
KX-TDA0142	CSIF	3	

Note

For more details about the PS, refer to the Operating Instructions of the PS.

CAUTION

- The CS should be kept free of dust, moisture, high temperature (more than 40 °C), low temperature (less than 0 °C), and vibration, and should not be exposed to direct sunlight.
- The CS should not be placed outdoors (use indoors).
- The CS should not be placed near high-voltage equipment.
- The CS should not be placed on a metal object.
- Systems using 2.4 GHz ISM (Industrial, Scientific and Medical) band may interfere with the KX-TDA wireless system. Examples of such systems are cordless telephones, wireless LAN, Home RF, microwave ovens and other ISM devices. These systems may cause minor noise.
- Keeping some distance between the equipment listed below may prevent interference. (The distance may vary depending on the environment.)

Equipment	Distance
CS and office equipment such as a computer, telex, fax machine, etc.	More than 2 m
CS and PS	More than 1 m
Each PS	More than 0.5 m
PBX and CS	More than 2 m
CS and CS	More than 15 m

Please take into consideration the distance between the CSs when site planning. Please consult a certified dealer for details.

However, the required distance between CSs may vary depending on the environment of the installation site and conditions in which the wireless system is used. Conduct the site survey to determine the appropriate distance.

2.11.2 Procedure Overview

When connecting the wireless system, use extreme care in conducting the site survey. An incorrectly performed site survey can result in poor service area, frequent noise, and disconnection of calls.

1. Investigate the installation site

Refer to "2.11.3 Site Planning".

- a. Obtain a map of the CS installation site.
- b. Identify the service area required by the user on the map.
- c. Plan the location of each CS, taking account of distance, building materials, etc.

2. Prepare the CS for site survey

Refer to "2.11.4 Before Site Survey".

- a. Assign a CS number to each CS by setting the DIP switches on the back of the CS.
- b. Supply electricity to each CS using an AC adaptor/battery box or by connecting them to a CSIF/ DLC/DHLC card.
- c. Install each CS temporarily as planned.

Notes

- Install at least 2 m above the floor.
- Keep the antennas in the upright position.

3. Conduct the site survey

Refer to "2.11.5 Site Survey".

- a. Test the radio signal strength using the PS.
Confirm that the radio signal strength level is "12" near the CS.

Using the KX-TD7684/KX-TD7694

Press 1, 9, and POWER for more than 2 seconds.

CS No. 1 to 9

Display example: << SEARCHING >> CS NO.1 LEVEL:12 SAVE:0123456789

Using the KX-TD7680

Press 1, 9, and POWER for more than 2 seconds.

CS No. 1 to 9

Display example: << SEARCHING >> CS NO.1 LEVEL:12 SAVE:0123456789

Using the KX-TD7690

Press 1, 9, and POWER for more than 2 seconds.

CS No. 1 to 9

Display example: << SEARCHING >> CS NO.1 LEVEL:12 SAVE:0123456789

- b. By walking away from the CS with the PS, check the radio signal strength. The radio signal strength weakens as you walk away from the CS.
- c. Map the CS coverage area at radio signal strength levels "3" and "8".

2.11 Connection of 2.4 GHz Portable Stations

- d. Make sure that adjacent CS coverage areas overlap where the radio signal strength level is "8" by at least 5 m.
- e. Make sure that the radio signal strength level is greater than "3" at any location within the service area required by the user.

4. Finish the site survey

Refer to "2.11.6 After Site Survey".

- a. Turn off the PS.
- b. Stop supplying power, and return all DIP switches of each CS to the OFF position.

5. Connect the CS and PS to the PBX and test the operation

Refer to "2.11.7 Connecting a Cell Station to the PBX".

- a. Connect the CSs to the PBX.
- b. Register the PSs to the PBX.
- c. Walk around the service area while having a conversation using a registered PS. If noise is frequent or conversations disconnect, relocate the CSs or install an additional CS.

6. Mount the CS on the wall

Refer to "2.11.8 Wall Mounting".

- a. If there are no problems in testing, mount the CS on the wall.

2.11.3 Site Planning

Choosing the best site for the CS requires careful planning and testing of essential areas. The best location may not always be convenient for installation. Read the following information before installing the unit.

Understanding Radio Waves

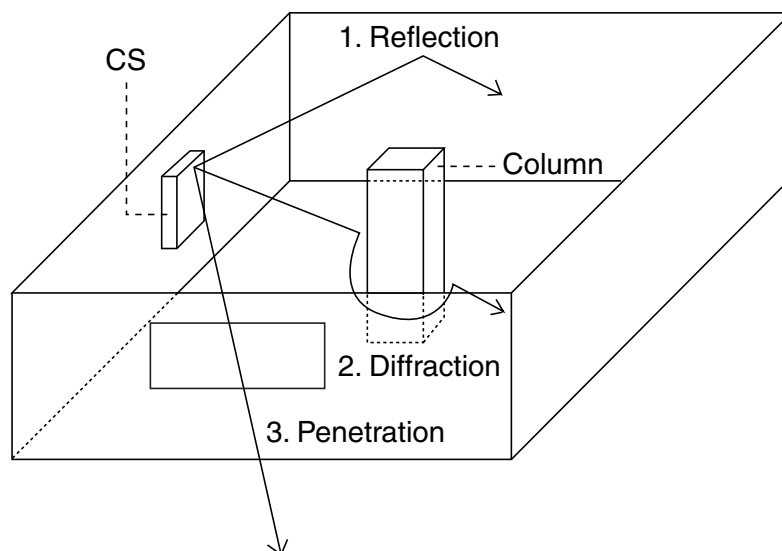
Characteristics of Radio Waves

The transmission of radio waves and the CS coverage area depend on the structure and materials of the building.

Office equipment, such as computers and fax machines, can interfere with radio waves. Such equipment may create noise or interfere with the performance of the PS.

The illustration below shows the special transmitting patterns of radio waves.

1. Radio waves are reflected by objects made of materials such as metal.
2. Radio waves are diffracted by objects such as metallic columns.
3. Radio waves penetrate objects made of materials such as glass.



Relationships Between Radio Waves and Building Structure and Materials

- The CS coverage area is affected more by the building materials and their thickness than the number of obstacles.
- Radio waves tend to be reflected or diffracted by conductive objects and rarely penetrate them.
- Radio waves tend to penetrate insulated objects and are rarely reflected by them.
- Radio waves penetrate thin objects more than thick objects.
- The table below shows the transmission tendency of radio waves when they reach objects made from various materials.

2.11 Connection of 2.4 GHz Portable Stations

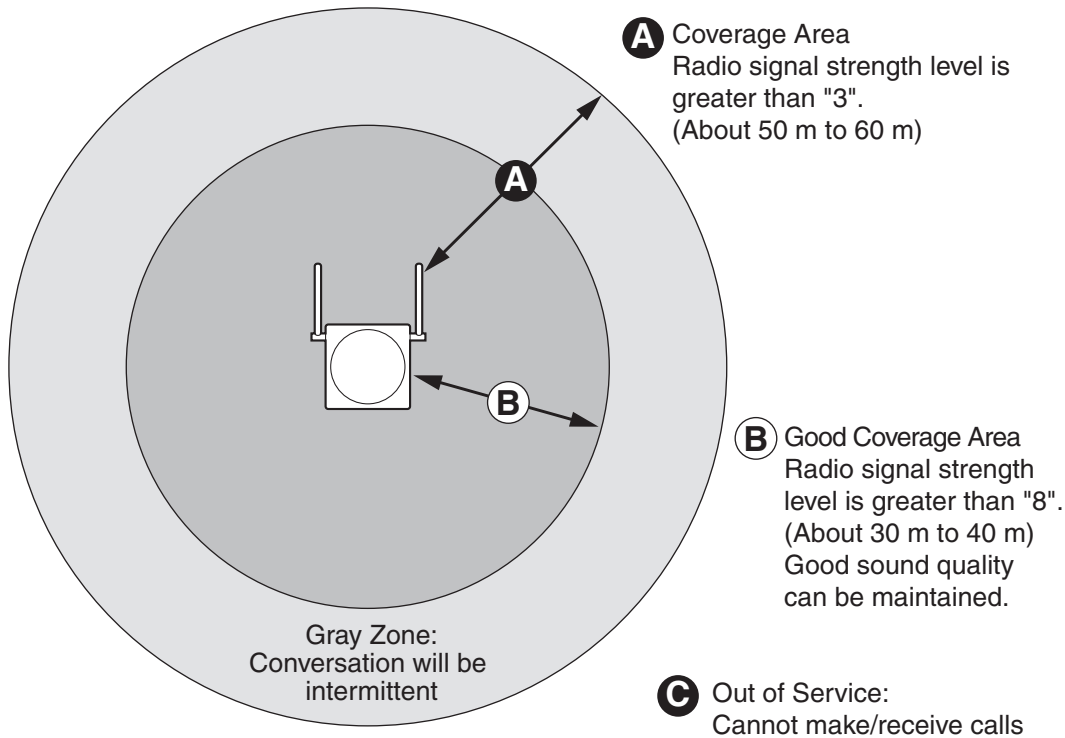
Object	Material	Transmission Tendency
Wall	Concrete	The thicker they are, the less radio waves penetrate them.
	Ferroconcrete	Radio waves can penetrate them, but the more iron there is, the more radio waves are reflected.
Window	Glass	Radio waves usually penetrate them.
	Glass with wire net	Radio waves can penetrate them, but tend to be reflected.
	Glass covered with heat-resistant film	Radio waves are weakened considerably when they penetrate windows.
Floor	Ferroconcrete	Radio waves can penetrate them, but the more iron there is, the more radio waves are reflected.
Partition	Steel	Radio waves are reflected and rarely penetrate them.
	Plywood, Glass	Radio waves usually penetrate them.
Column	Ferroconcrete	Radio waves can penetrate them, but the more iron there is, the more radio waves tend to be reflected or diffracted.
	Metal	Radio waves tend to be reflected or diffracted.
Cabinet	Steel	Radio waves are usually reflected or diffracted, and rarely penetrate them.
	Wood	Radio waves can penetrate them, but they are weakened.

CS Coverage Area

The example below shows the size of the coverage area of 1 CS if it is installed in an area with no obstacles.

Note

Radio signal strength levels are measured during the site survey (refer to "2.11.5 Site Survey").



Radio Signal Strength Levels

Level: 00	↑	Out of range
Level: 01 to 02		Receives noise easily or disconnects
Level: 03 to 07		May receive noise
Level: 08 to 10	↓	Good
Level: 11 to 12		Better

Site Survey Preparation

1. Obtain a map and investigate the installation site.
 - a. Check the obstacles (e.g., shelves, columns, and partitions).
 - b. Check the materials of the structures (e.g., metal, concrete, and plywood).
 - c. Check the layout and dimensions of the room, corridor, etc.
 - d. Write down the above information on the map.
2. Examine the service area required by the user on the map, referring to the following example.
 - a. Draw the coverage area around a CS. Extend the coverage area 30 m to 60 m in each direction, depending on the materials of the building structures and obstacles in the installation site. Note that a CS cannot be installed outside a building.
 - b. If one CS cannot cover the entire service area, install additional CSs as required. Overlap the coverage areas of adjacent CSs.
Where CS coverage areas overlap, the PS will start call handover to the next CS if the signal from

2.11 Connection of 2.4 GHz Portable Stations

one CS becomes weak. However, if a PS moves away from a CS and there are no CSs available for handover, the PS may go out of range and the call could be lost.

If the signal from the CS fades, due to the structure of the building, there may be some handover delay. The user will hear a range warning before handover in this case. This also applies in the case of interference from 2.4 GHz apparatus.

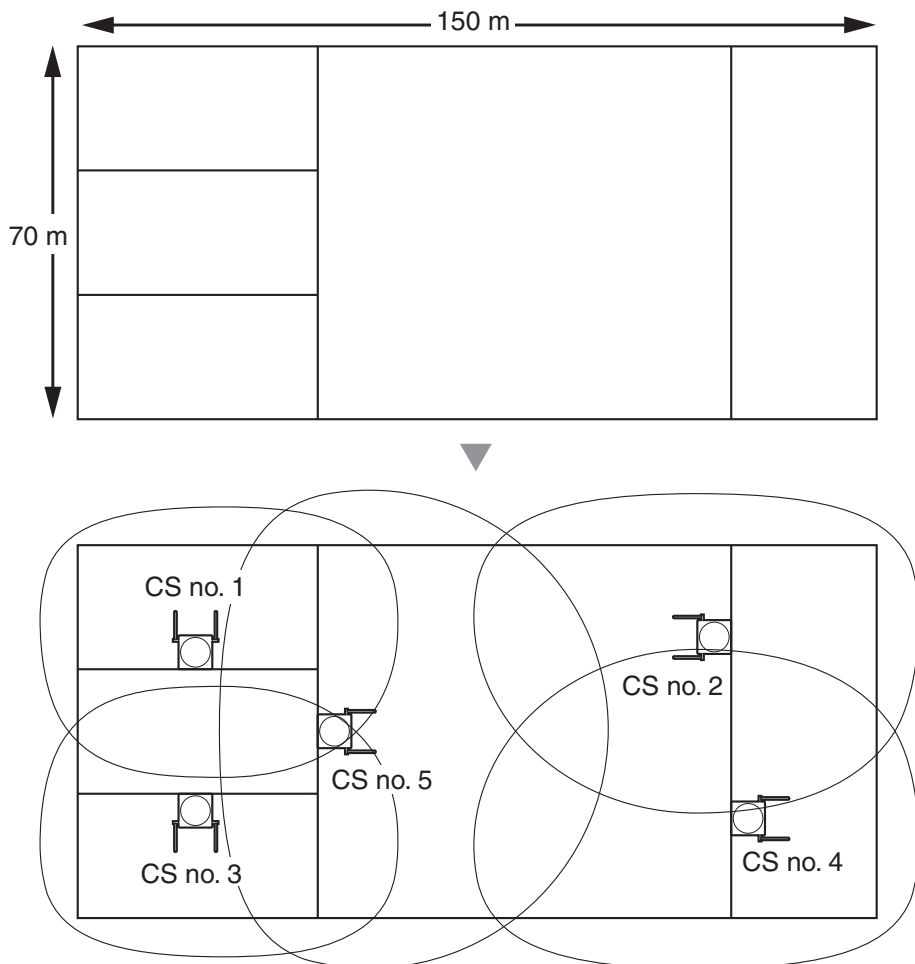
Example: Installing in a Room Separated by Interior Walls

Things to take note of:

- The room is separated by interior walls.
- The room is surrounded by concrete walls.

CS installation plan:

- The coverage area of each CS will not extend as far as when there are no obstacles, because the radio signals will be weakened by separating walls. Therefore, you will need 5 CSs to cover the entire room.

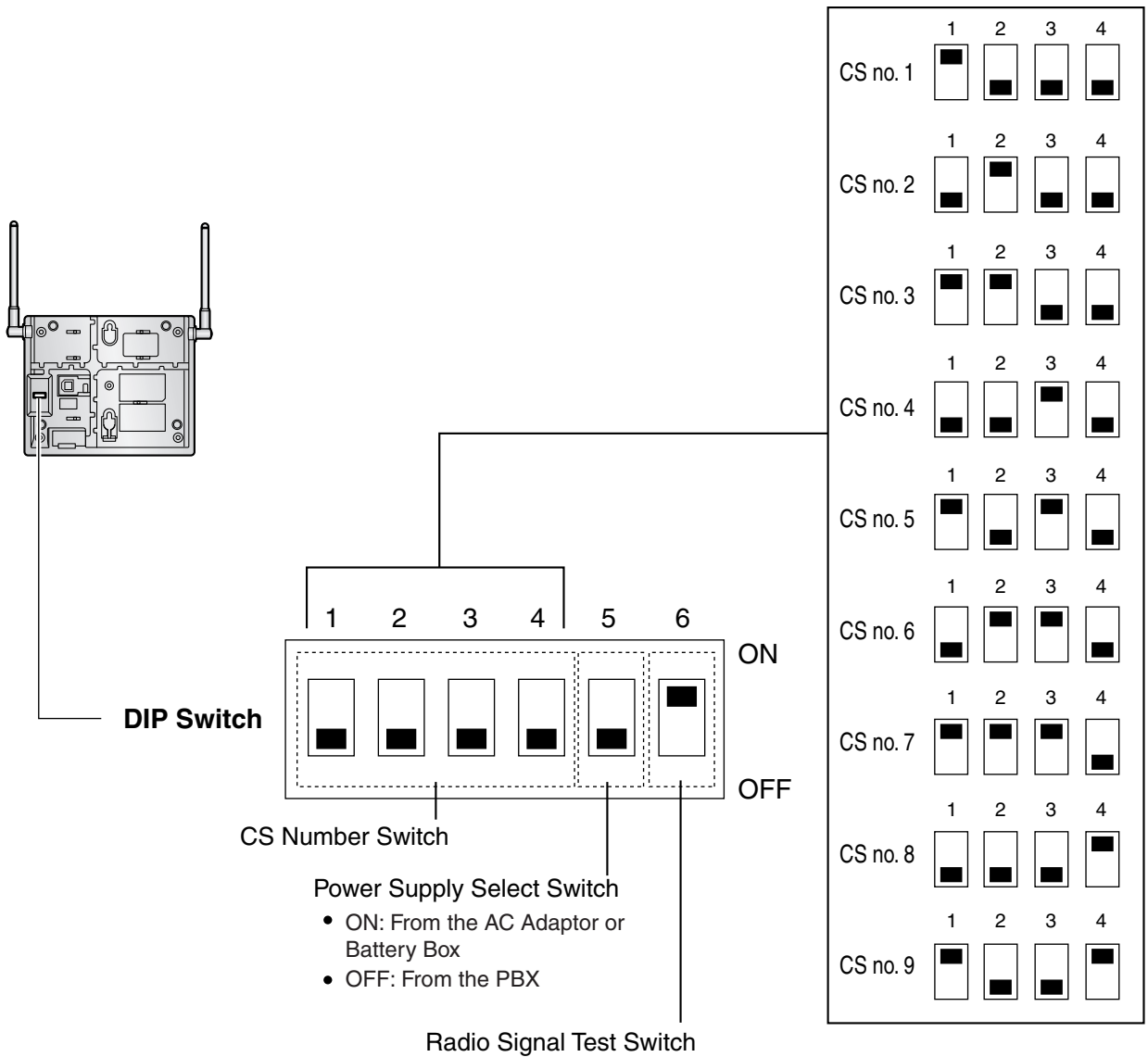


2.11.4 Before Site Survey

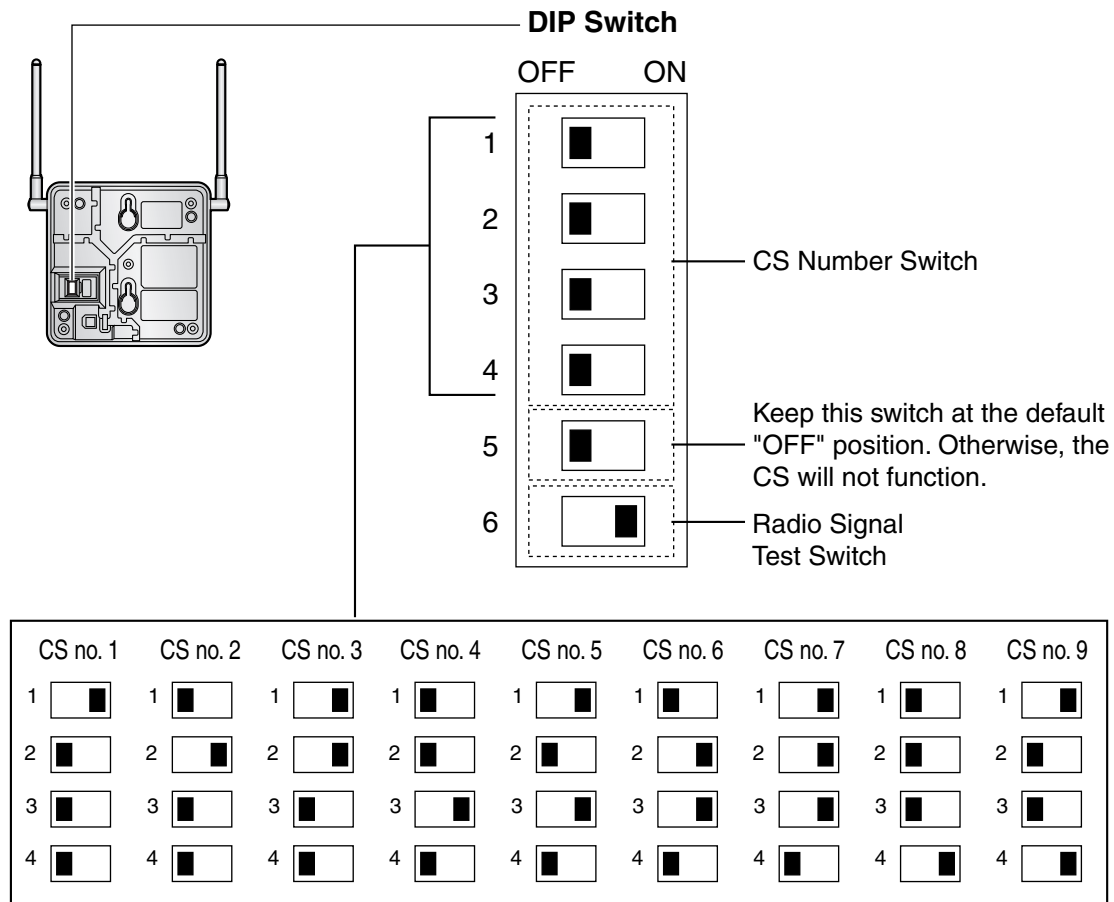
Setting and Installing the CS Temporarily for Site Survey

1. Switch the Radio Signal Test switch from OFF to ON.
2. Set the CS number switches as desired.
3. Set the Power Supply Select switch as desired (KX-TDA0151/KX-TDA0152 only).

KX-TDA0151/KX-TDA0152



KX-TDA0141/KX-TDA0142



Note

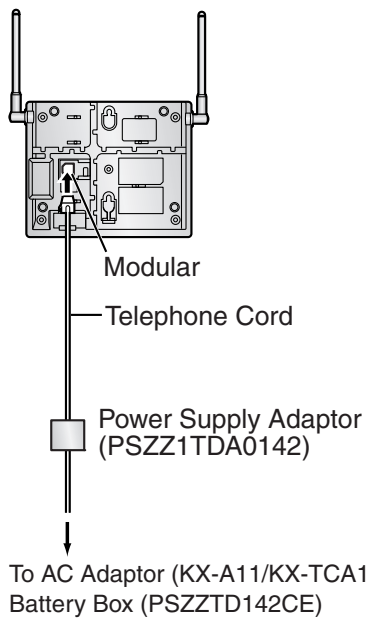
If more than 1 CS is in Radio Signal Test mode, each CS must have a unique CS number.

- After setting the DIP switches, connect the CS to an AC adaptor/battery box using a power supply adaptor.

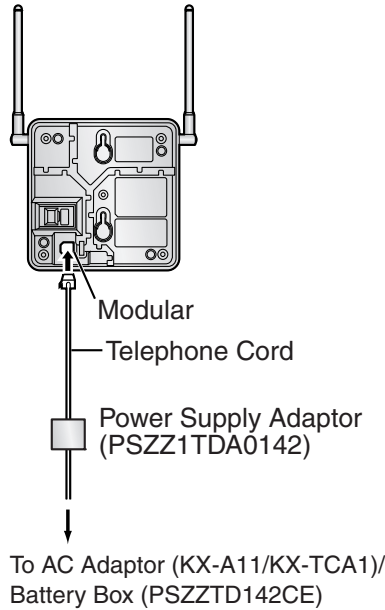
Notes

- The AC adaptor should be connected to a vertically oriented or floor-mounted AC outlet. Do not connect the AC adaptor to a ceiling-mounted AC outlet, as the weight of the adaptor may cause it to become disconnected.
- If the Power Supply Select switch is set to ON in step 3, connect the CS to an AC adaptor/battery box. If it is set to OFF, connect the CS to a CSIF/DLC/DHLC card (KX-TDA0151/KX-TDA0152 only).

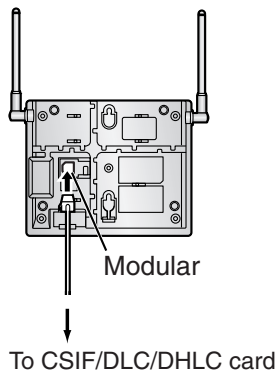
KX-TDA0151/KX-TDA0152



KX-TDA0141/KX-TDA0142



OR



- Install the CS temporarily for the site survey. Install the CS at least 2 m above the floor, keeping the antennas in the upright position.

2.11.5 Site Survey

The PS has a Radio Signal Test mode that monitors the state of the radio link to the CS. After installing the CSs temporarily, set the PS to Radio Signal Test mode and measure each CS coverage area. Then, record the results on the map of the installation site.

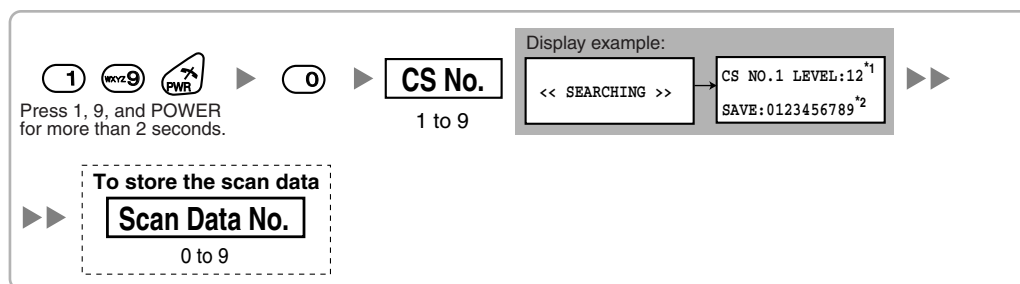
Testing the Radio Signal Strength

Note

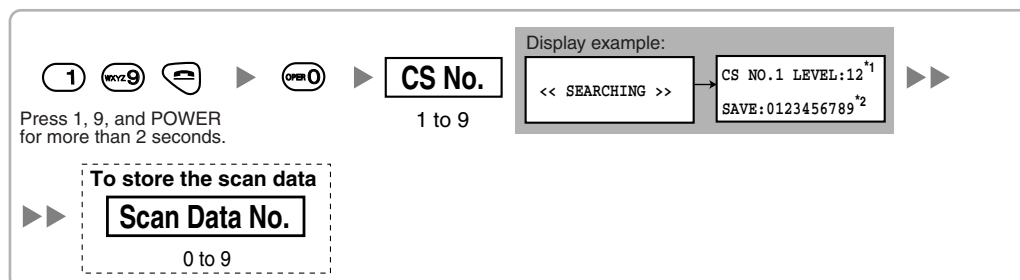
Display prompts for the site survey are only available in English.

1. Enter Radio Signal Test mode.

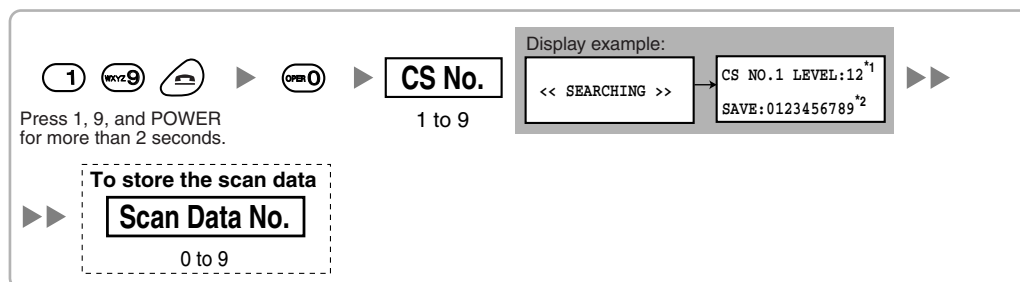
Using the KX-TD7684/KX-TD7694



Using the KX-TD7680



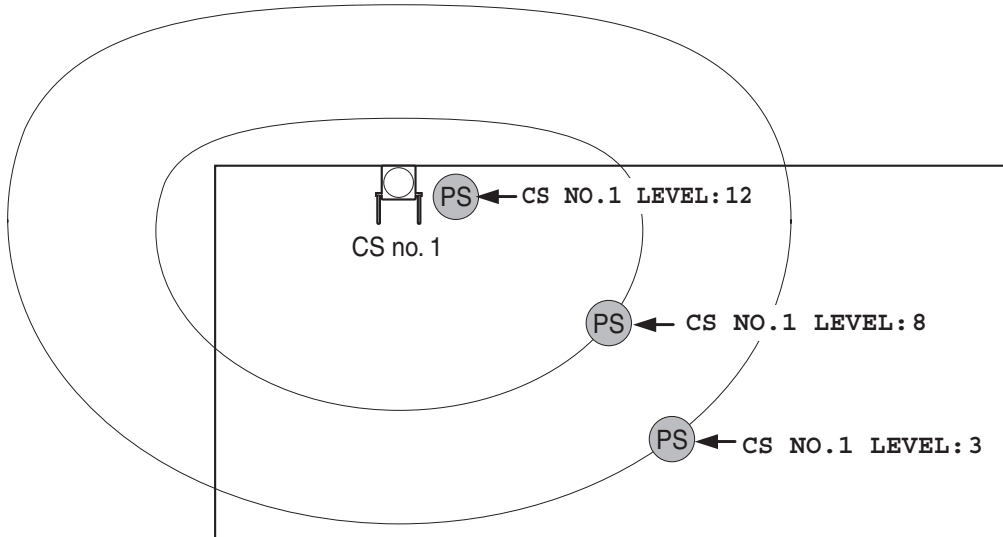
Using the KX-TD7690



Notes

- *1: CS number and radio signal strength level.
- *2: Scan data (test result) number. Empty memory space will be indicated by a number; stored memory space will be indicated by a "-".

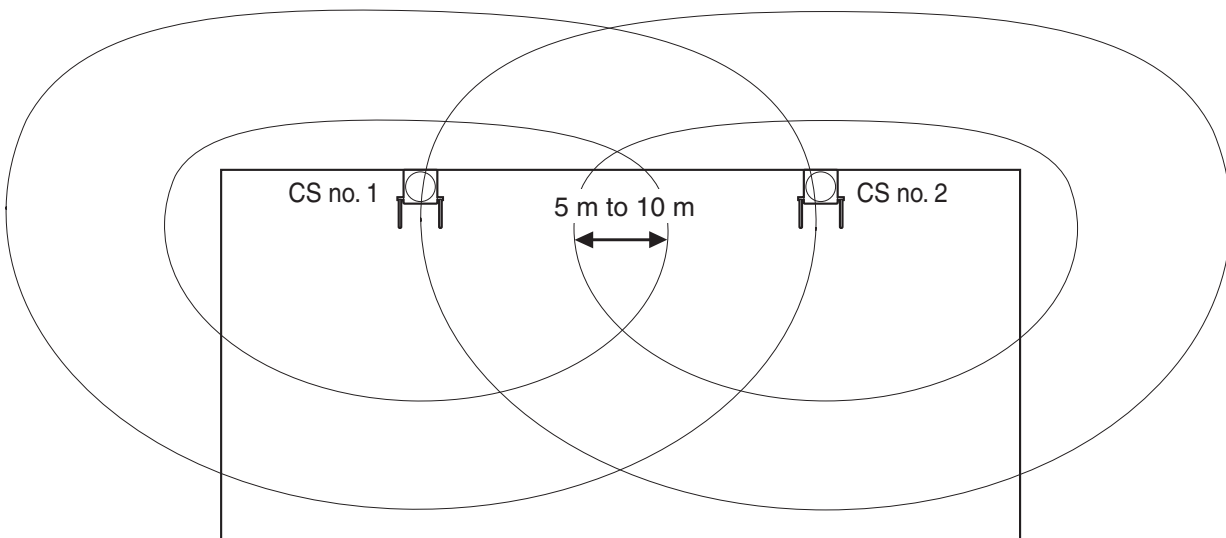
2. Measure the radio signal strength by moving towards and away from the CS.
 - a. Move to the CS until the radio signal strength level becomes "12".
 - b. Move away from the CS and identify the CS coverage area within which the radio signal strength level is greater than "8". Draw the area on the map.
 - c. Move away from the CS and identify the CS coverage area within which the radio signal strength level is greater than "3". Draw the area on the map.



Radio Signal Strength Levels

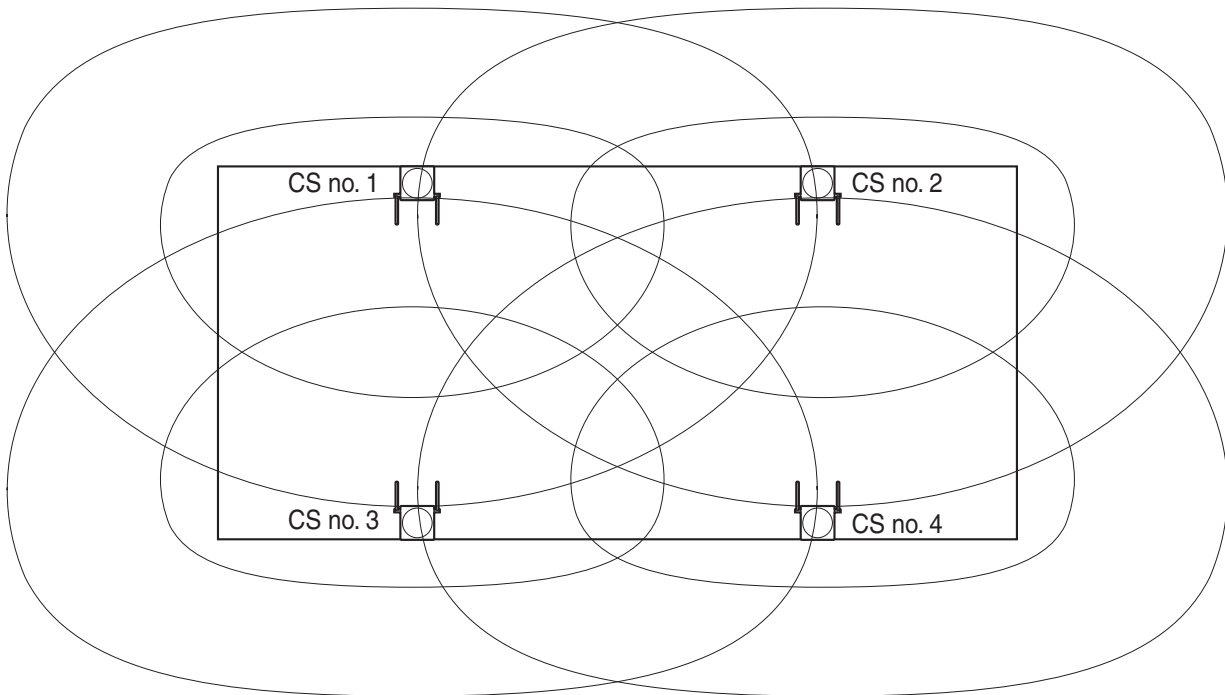
Level: 00		Out of range
Level: 01 to 02		Receives noise easily or disconnects
Level: 03 to 07		May receive noise
Level: 08 to 10		Good
Level: 11 to 12		Better

3. Repeat steps 1 and 2 for other CSs, and relocate the CSs when necessary.
 - a. Overlap adjacent CS coverage areas where the radio signal strength level is "8" by 5 m to 10 m.



2.11 Connection of 2.4 GHz Portable Stations

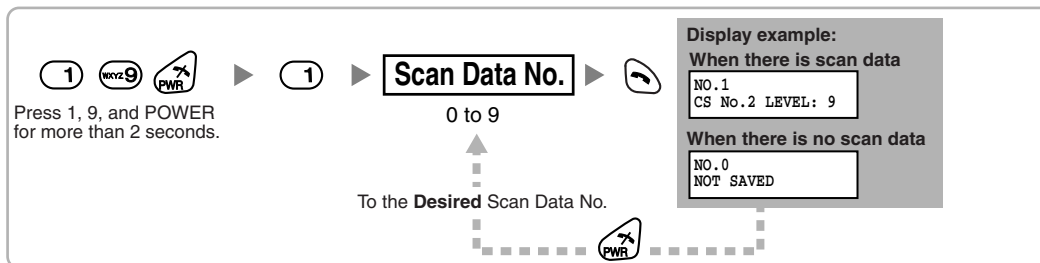
- b. Overlap the CS coverage areas of at least 2 CSs at any location in the installation site.



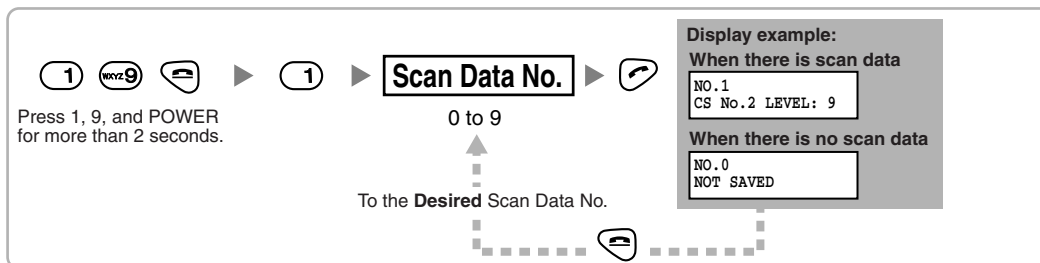
- c. Make sure that the radio signal strength level is greater than "3" at any location in the service area required by the user.

Referring to the Stored Scan Data

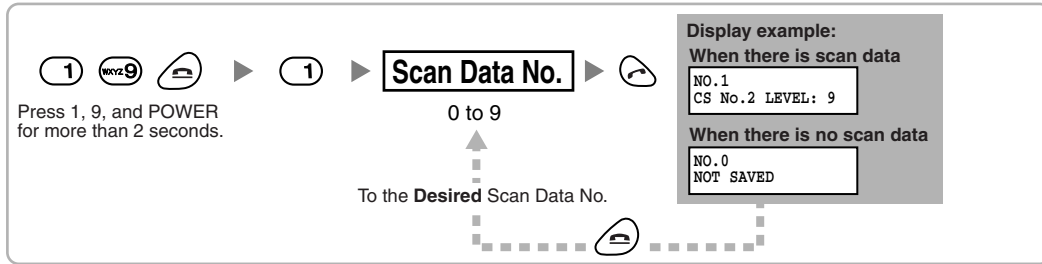
Using the KX-TD7684/KX-TD7694



Using the KX-TD7680

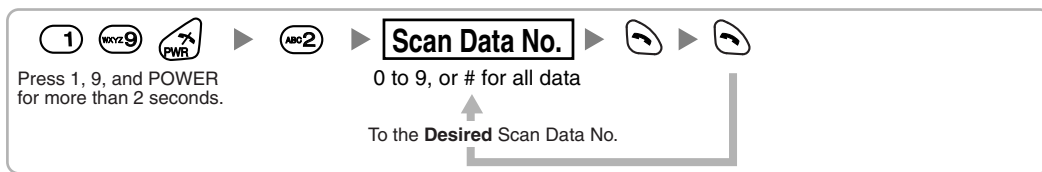


Using the KX-TD7690

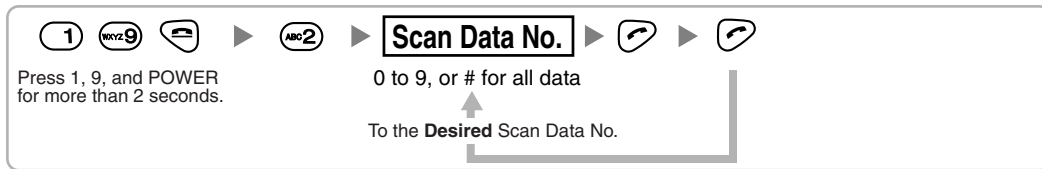


Deleting the Stored Scan Data

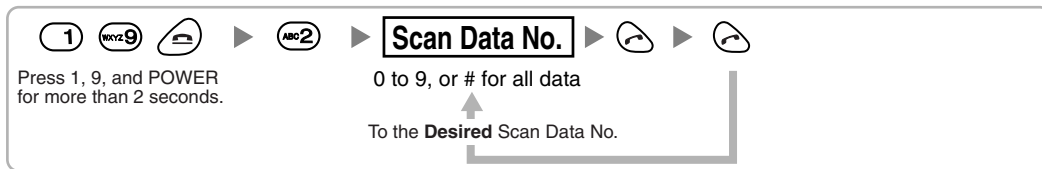
Using the KX-TD7684/KX-TD7694



Using the KX-TD7680



Using the KX-TD7690

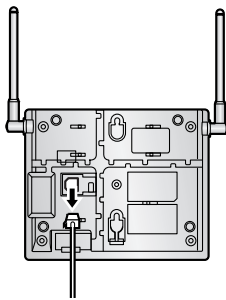


2.11.6 After Site Survey

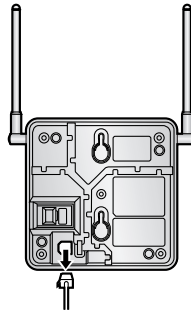
After obtaining the proper measurement results, exit Radio Signal Test mode before connecting the CS to the PBX.

1. Hold down the POWER button on the PS until the PS is turned OFF.
2. Disconnect the CS from the AC adaptor/battery box or the CSIF/DLC/DHLC card to stop supplying electricity.

KX-TDA0151/KX-TDA0152

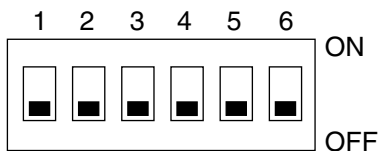


KX-TDA0141/KX-TDA0142

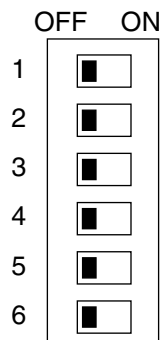


3. Switch all DIP switches on the CS from ON to OFF.

KX-TDA0151/KX-TDA0152



KX-TDA0141/KX-TDA0142

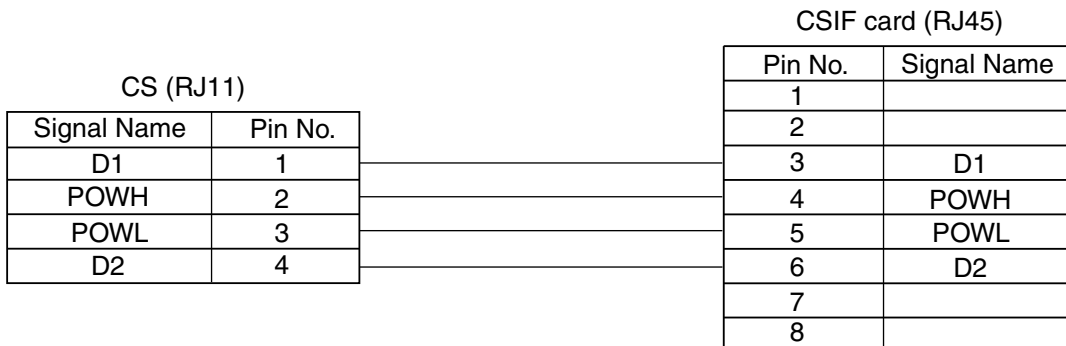
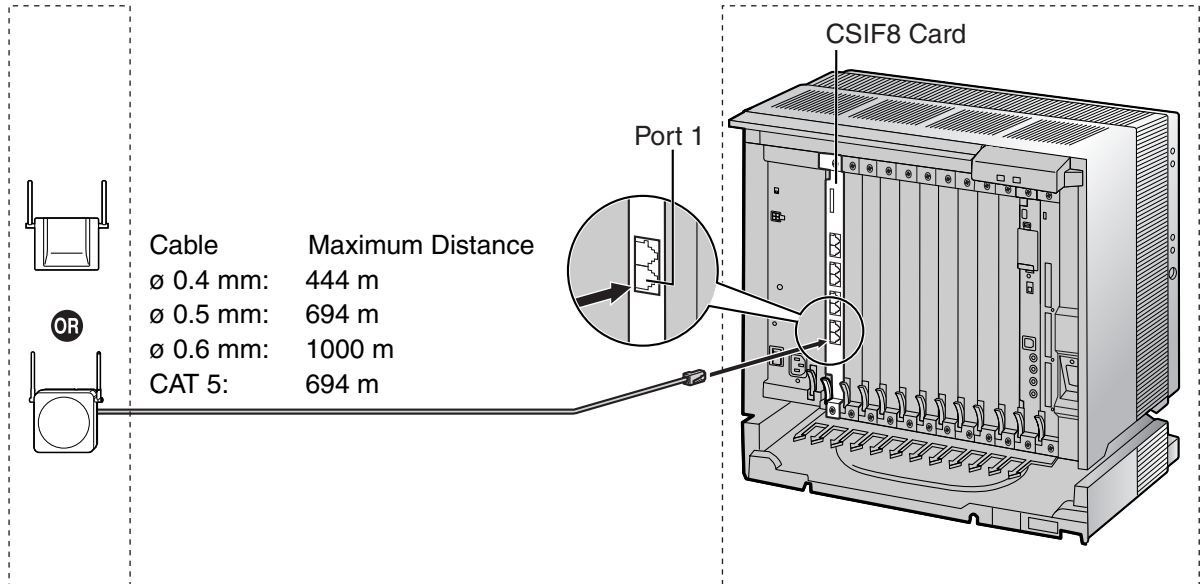


2.11.7 Connecting a Cell Station to the PBX

Using a CSIF Card

Refer to the following example to connect a CS to the PBX.

KX-TDA0152/KX-TDA0142



Accessories and User-supplied Items for the CS

Accessories (included): Screws × 2, Washers × 2

User-supplied (not included): RJ11 connector

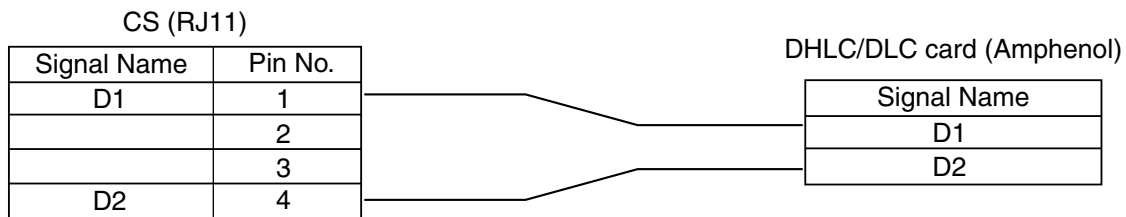
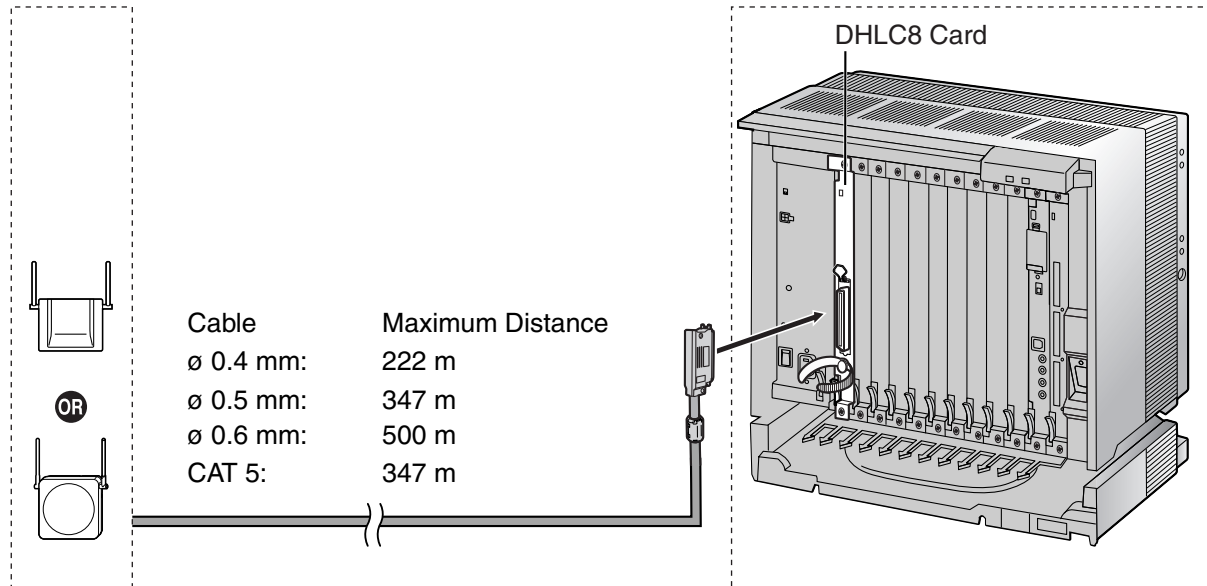
Note

For details about CSIF card, refer to "2.7.1 CSIF4 Card (KX-TDA0143) and CSIF8 Card (KX-TDA0144)".

Using a DHLC/DLC Card

Refer to the following example to connect a CS to the PBX.

KX-TDA0151/KX-TDA0141



Accessories and User-supplied Items for the CS

Accessories (included): Screws × 2, Washers × 2

User-supplied (not included): RJ11 connector

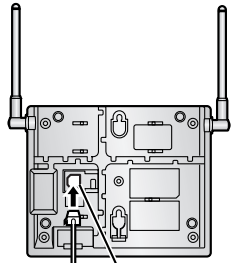
Note

For details about DHLC card or DLC card, refer to "2.7.2 DHLC8 Card (KX-TDA0170)", "2.7.3 DLC8 Card (KX-TDA0171)", or "2.7.4 DLC16 Card (KX-TDA0172)".

Connecting the CS

1. Connect the cable from the CSIF/DHLC/DLC card to the CS.

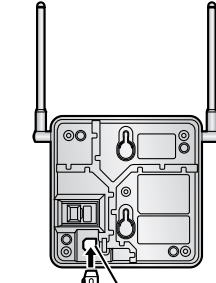
KX-TDA0151/KX-TDA0152



Modular

To CSIF/DHLC/DLC card

KX-TDA0141/KX-TDA0142

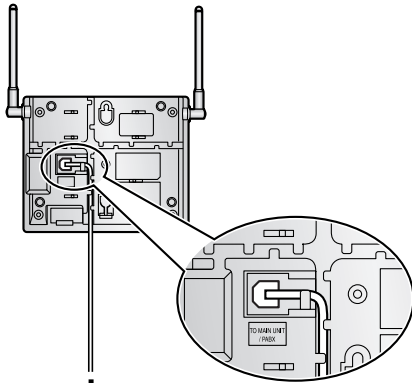


Modular

To CSIF/DHLC/DLC card

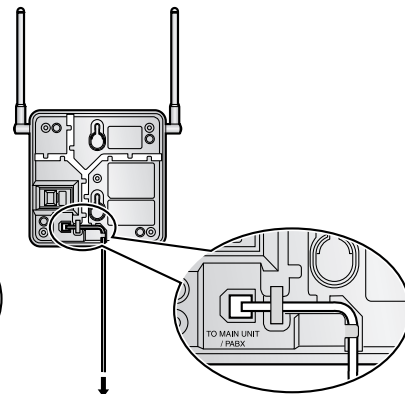
2. Pass the cable through the groove of the CS (in any direction depending on your preference).

KX-TDA0151/KX-TDA0152



To CSIF/DHLC/DLC card

KX-TDA0141/KX-TDA0142



To CSIF/DHLC/DLC card

Registering the PS

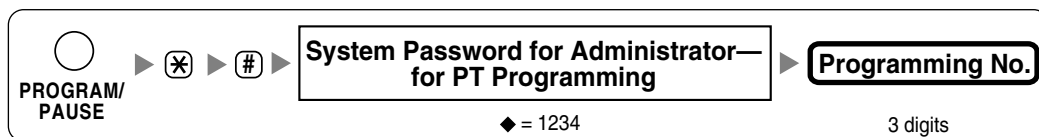
The PS must be registered to the PBX before it can be used. Programming of both the PS and PBX is required. A PT with multiline display (e.g., KX-T7636 6-line display) is required to perform the PBX system programming.

Note

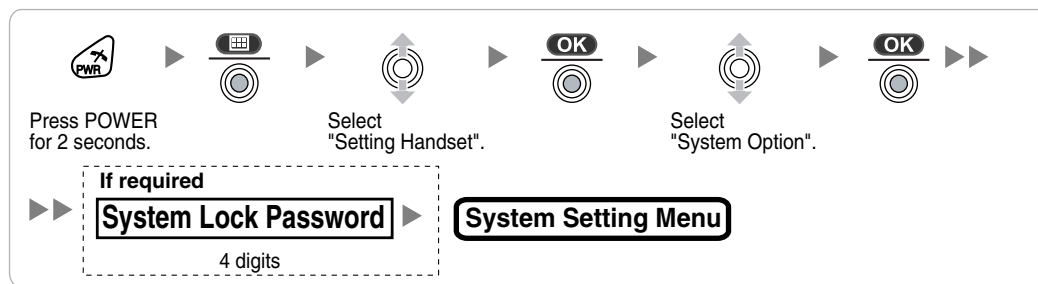
For details about system programming using a PT, refer to "2.3.2 PT Programming" in the Feature Guide, and "2.1 PT Programming" in the PT Programming Manual.

Entering the System Programming Mode

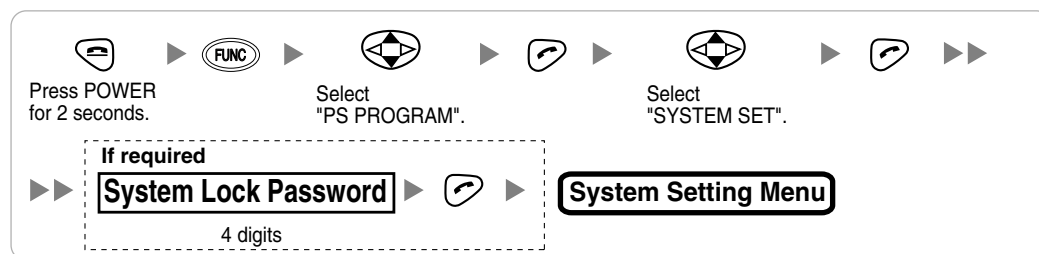
PT (Administrator Level)



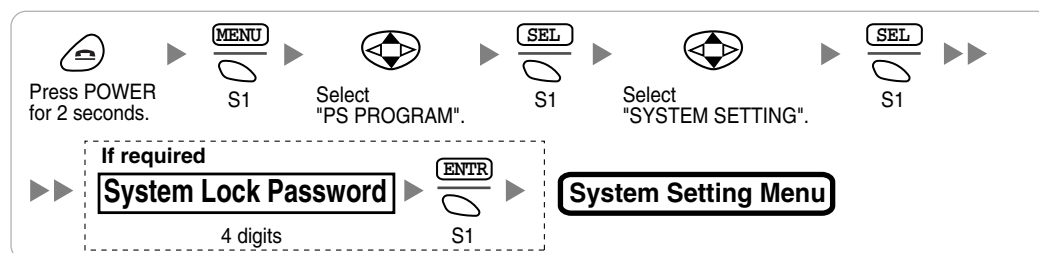
PS (Using the KX-TD7684/KX-TD7694)



PS (Using the KX-TD7680)



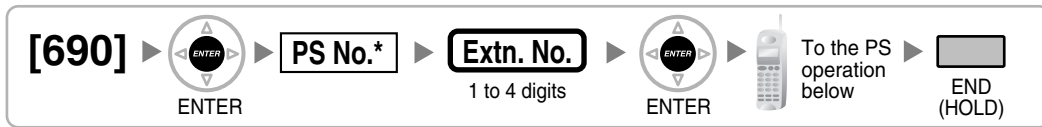
PS (Using the KX-TD7690)



Note

◆ means default value throughout this section.

PS Registration

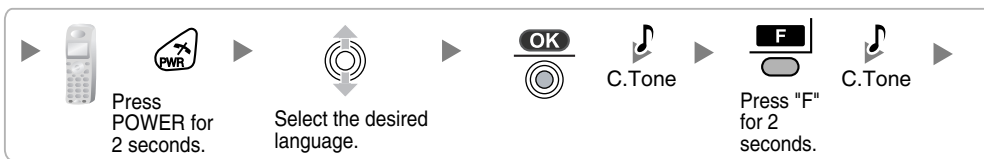


- * Without an EMEC card installed: 001 to 256.
With an EMEC card installed: 001 to 512.

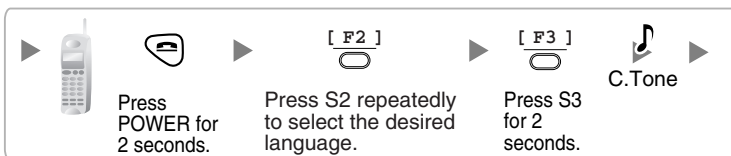
When the PS has not been registered yet

When registering the PS for the first time, it is possible to select the desired language for the display. (You do not need to enter the PS system programming mode when registering for the first time.)

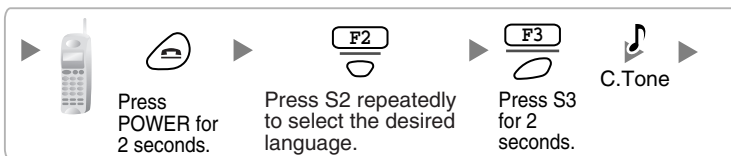
Using the KX-TD7684/KX-TD7694



Using the KX-TD7680



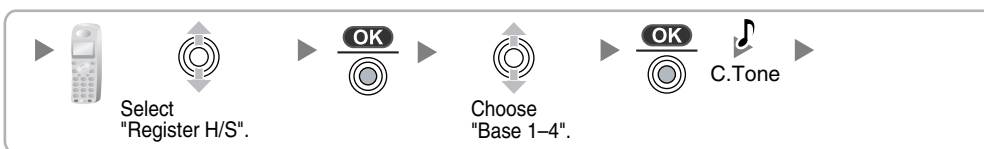
Using the KX-TD7690



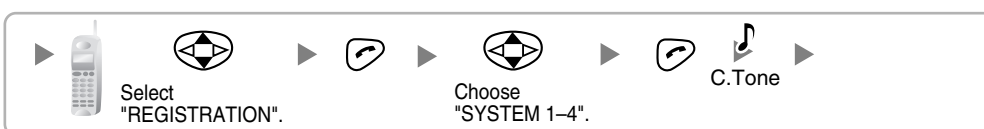
When the PS has already been registered to another PBX

One PS can be registered to a maximum of 4 different PBXs.

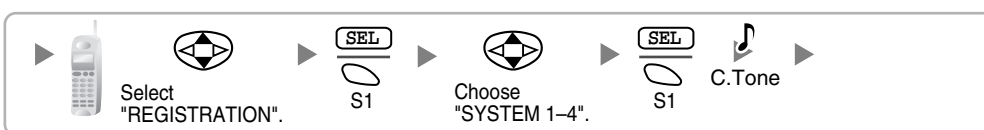
Using the KX-TD7684/KX-TD7694



Using the KX-TD7680



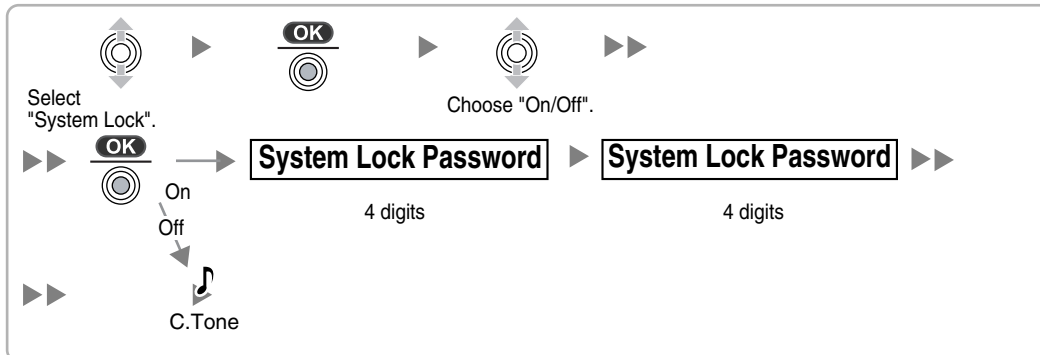
Using the KX-TD7690



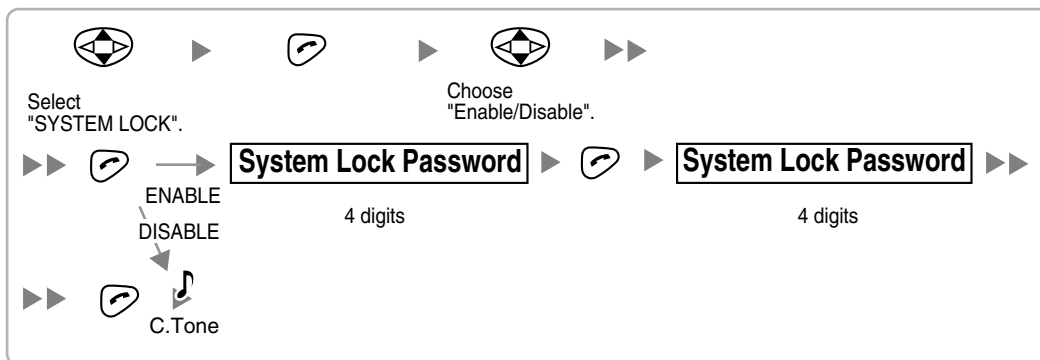
Setting the System Lock

When a system lock has been set, the system lock password will be required for PS system setting.

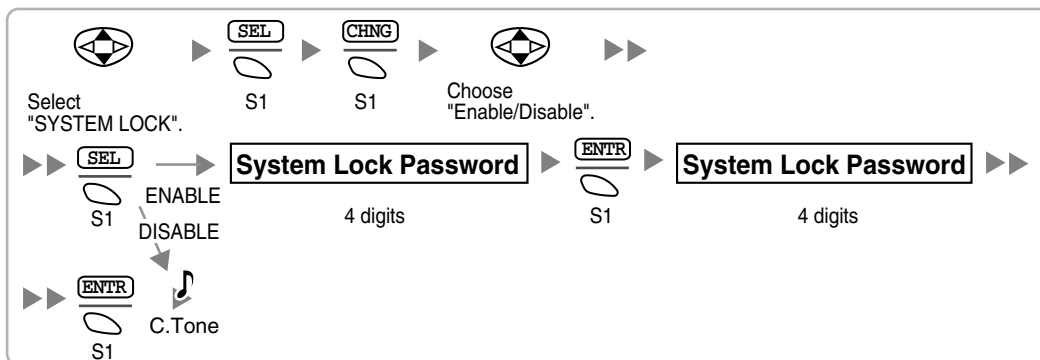
Using the KX-TD7684/KX-TD7694



Using the KX-TD7680



Using the KX-TD7690



Setting the Personal Identification Number (PIN) for PS Registration

To prevent registering the PS to a wrong PBX, a PIN for PS registration can be set to the PBX. Before registering the PS to the PBX, enter the PIN set to the PBX into the PS. By doing so, the PS will only be registered to the PBX with the matching PIN.

Notes

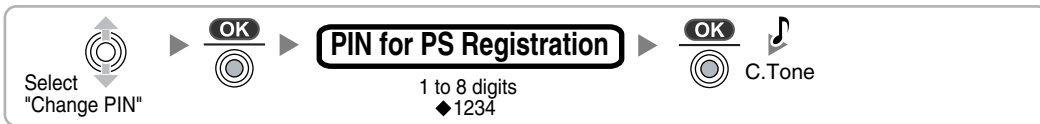
- By default, the PIN for PS registration is "1234" for both the PBX and PS. Therefore, the PS can be registered to the PBX without setting the PIN.
- The PIN for PS registration will only be used when registering the PS to the PBX. Therefore, during normal operation after registration, even if there is more than 1 PBX with the same PIN near the PS, the PS will not be inadvertently linked to a different PBX.

Setting the PIN for PBX

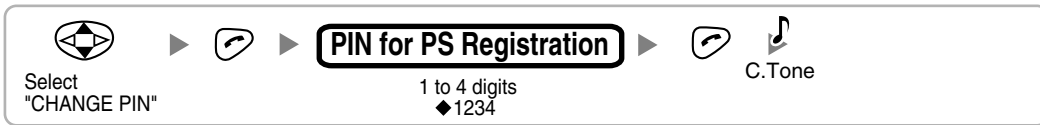


Setting the PIN for PS

Using the KX-TD7684/KX-TD7694



Using the KX-TD7680



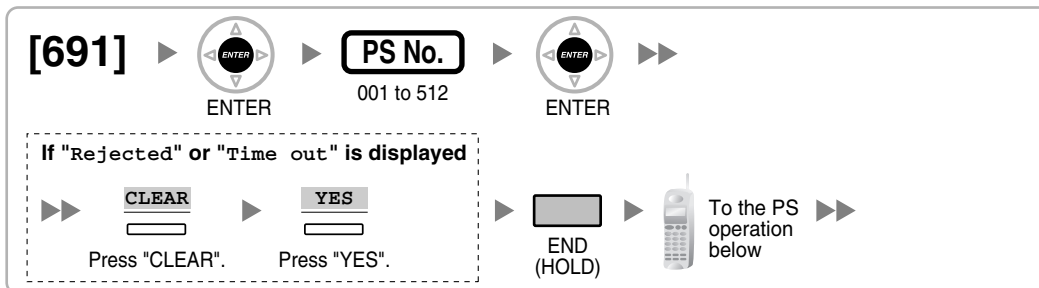
Using the KX-TD7690



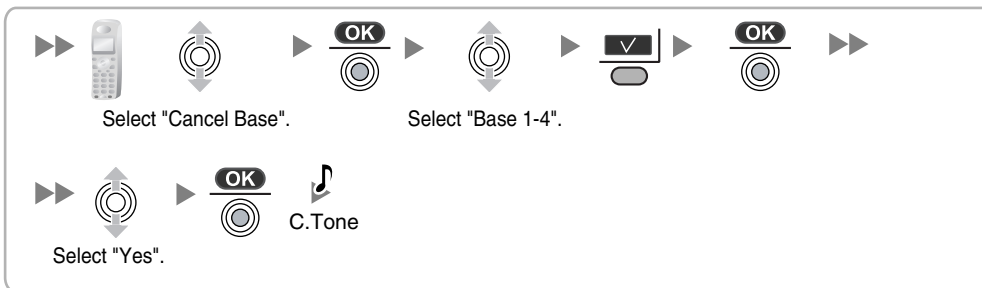
PS Termination

Confirm the following before cancelling the PS registration:

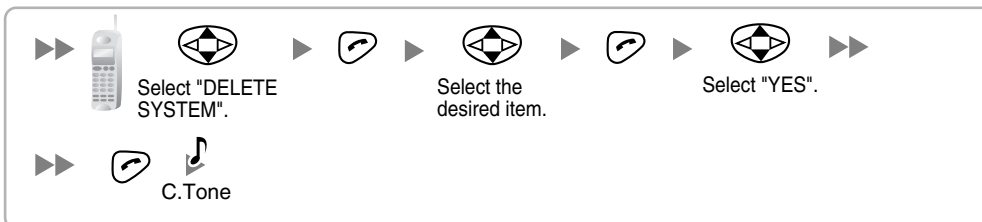
- The PS is turned on.
- The PS is within range.



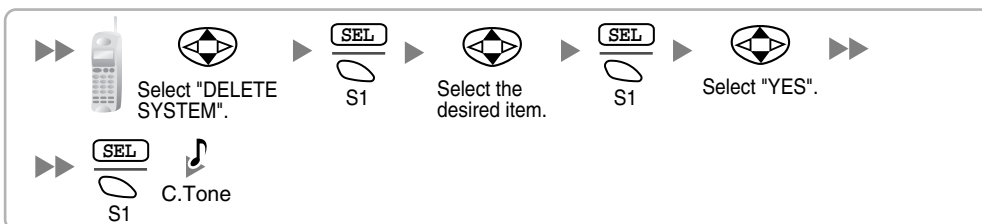
If the registration information is still stored in the PS Using the KX-TD7684/KX-TD7694



Using the KX-TD7680



Using the KX-TD7690



Testing the Operation

Walk around the service area while having a conversation using a registered PS. If noise is frequent or conversations disconnect, relocate the CSs or install an additional CS.

2.11.8 Wall Mounting

Mounting the KX-TDA0151/KX-TDA0152

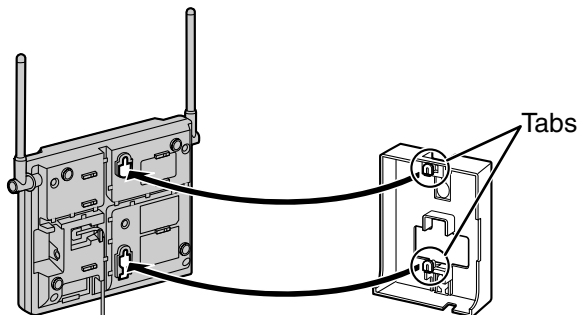
WARNING

- **MAKE SURE THAT THE WALL THAT THE UNIT WILL BE ATTACHED TO IS STRONG ENOUGH TO SUPPORT THE UNIT (APPROX. 310 g). IF NOT, IT IS NECESSARY FOR THE WALL TO BE REINFORCED.**
 - **ONLY USE THE WALL-MOUNTING EQUIPMENT (SCREWS, WASHERS, WALL MOUNTING PLATE) INCLUDED WITH THE UNIT.**
 - **WHEN DRIVING THE SCREWS INTO THE WALL, BE CAREFUL TO AVOID TOUCHING ANY METAL LATHS, WIRE LATHS OR METAL PLATES IN THE WALL.**
 - **WHEN THIS PRODUCT IS NO LONGER IN USE, MAKE SURE TO DETACH IT FROM THE WALL.**
1. Place the reference for wall mounting (KX-TDA0151/KX-TDA0152) on the wall to mark the 2 screw positions.
 2. Install the 2 screws and washers (included) into the wall.

Notes

- Make sure that the screw heads are at the same distance from the wall.
 - Install the screws perpendicular to the wall.
3. Insert the upper and lower tabs of the wall mounting plate into the designated openings in the base unit.

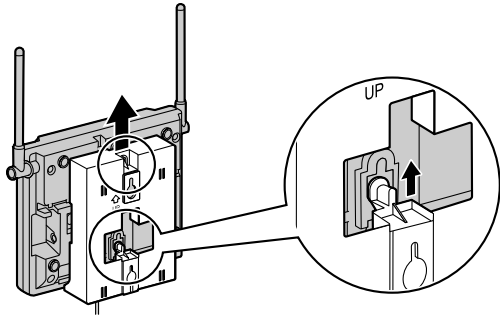
KX-TDA0151/KX-TDA0152



2.11 Connection of 2.4 GHz Portable Stations

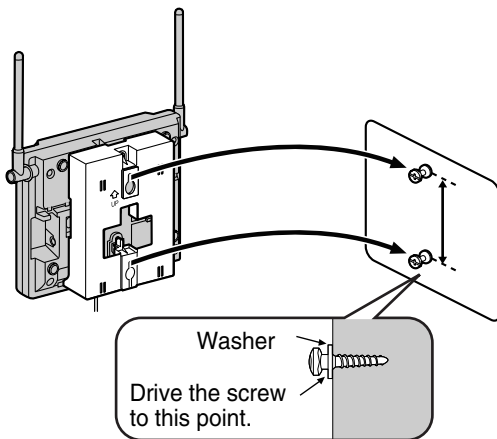
- Slide the wall mounting plate in the direction of the arrow until it clicks.

KX-TDA0151/KX-TDA0152



- Hook the CS on the screw heads.

KX-TDA0151/KX-TDA0152

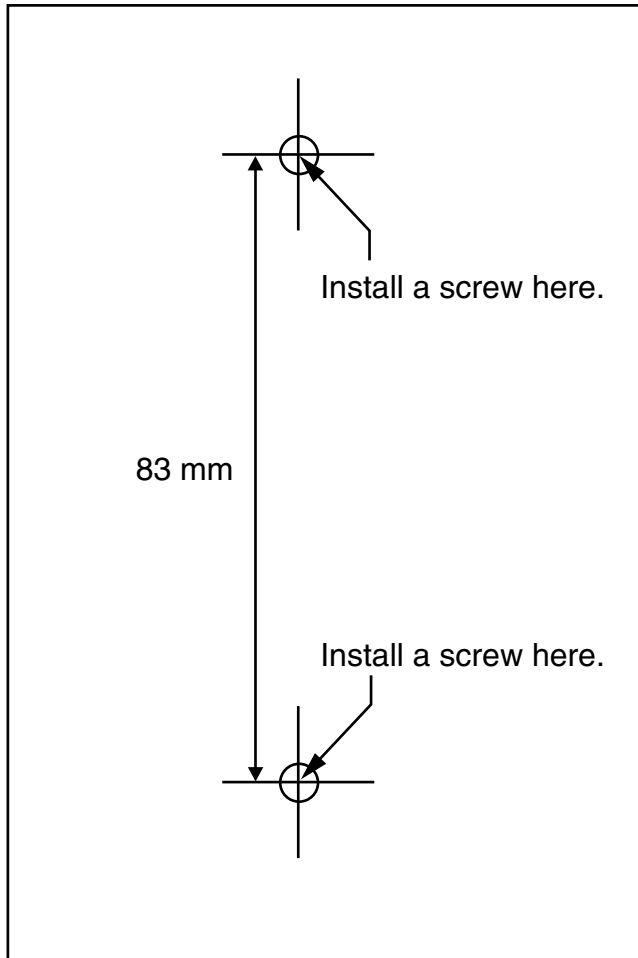


CAUTION

Make sure the cables are securely fastened to the wall.

Reference for Wall Mounting (KX-TDA0151/KX-TDA0152)

Please copy this page and use as a reference for wall mounting.



Note

Make sure to set the print size to correspond with the size of this page. If the dimension of the paper output still deviates slightly from the measurement indicated here, use the measurement indicated here.

Mounting the KX-TDA0141/KX-TDA0142

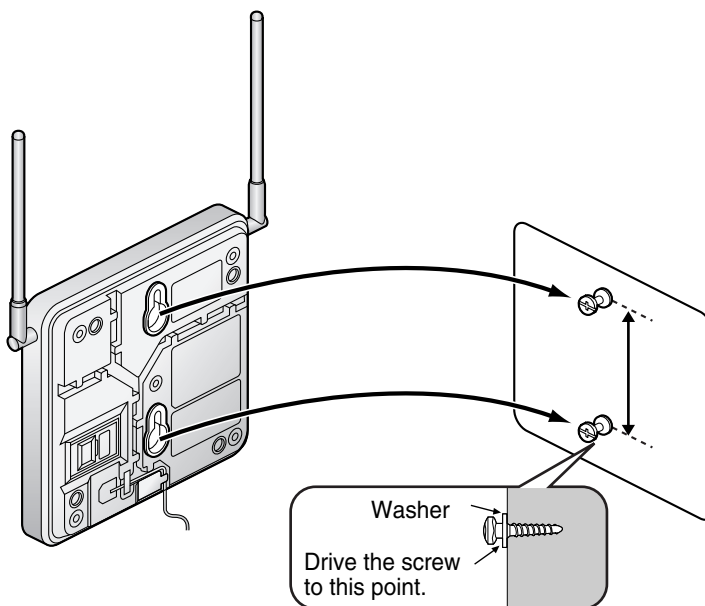
WARNING

- **MAKE SURE THAT THE WALL THAT THE UNIT WILL BE ATTACHED TO IS STRONG ENOUGH TO SUPPORT THE UNIT (APPROX. 310 g). IF NOT, IT IS NECESSARY FOR THE WALL TO BE REINFORCED.**
- **ONLY USE THE WALL-MOUNTING EQUIPMENT (SCREWS, WASHERS) INCLUDED WITH THE UNIT.**
- **WHEN DRIVING THE SCREWS INTO THE WALL, BE CAREFUL TO AVOID TOUCHING ANY METAL LATHS, WIRE LATHS OR METAL PLATES IN THE WALL.**
- **WHEN THIS PRODUCT IS NO LONGER IN USE, MAKE SURE TO DETACH IT FROM THE WALL.**

1. Place the reference for wall mounting (KX-TDA0141/KX-TDA0142) on the wall to mark the 2 screw positions.
2. Install the 2 screws and washers (included) into the wall.

Notes

- Make sure that the screw heads are at the same distance from the wall.
 - Install the screws perpendicular to the wall.
3. Hook the CS on the screw heads.

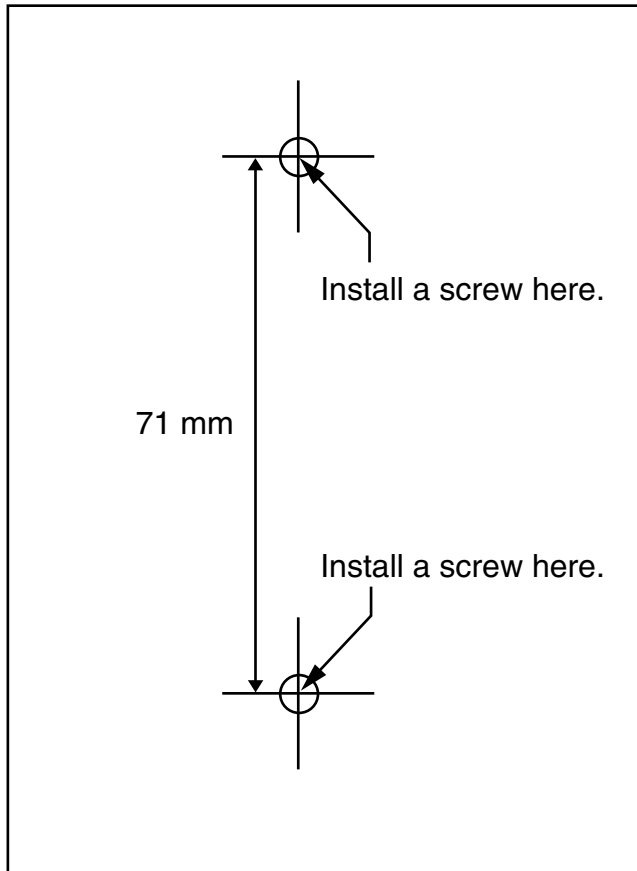


CAUTION

Make sure the cables are securely fastened to the wall.

Reference for Wall Mounting (KX-TDA0141/KX-TDA0142)

Please copy this page and use as a reference for wall mounting.



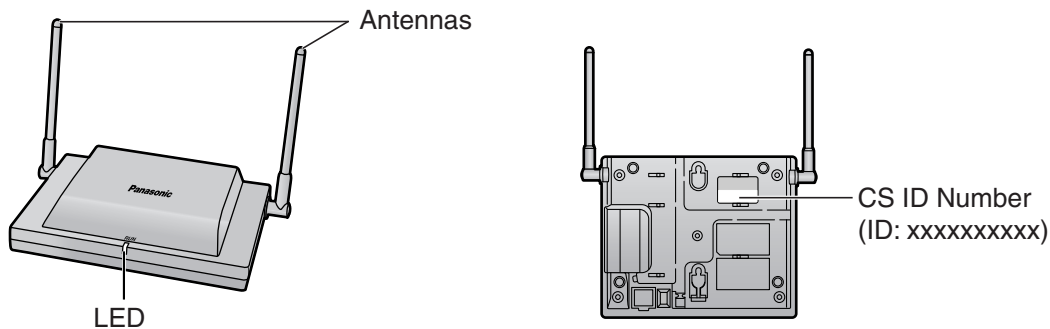
Note

Make sure to set the print size to correspond with the size of this page. If the dimension of the paper output still deviates slightly from the measurement indicated here, use the measurement indicated here.

2.12 Connection of DECT 6.0 Portable Stations

2.12.1 Overview

Names and Locations of CS



LED Indications

Indication	Colour	Description
STATUS	Green/Red	<p>CS status indication</p> <ul style="list-style-type: none"> • OFF: Power Off • Green ON: Stand-by (no active calls) • Slow Green Flashing (60 times per minute): Talk (active calls) • Moderate Green Flashing (120 times per minute): Busy • Red ON: Fault (includes Initialisation) • Red Flashing (60 times per minute): Out of Service/Starting up <p>CS status indication during the site survey</p> <ul style="list-style-type: none"> • Red ON: The CS is connected to an AC adaptor/battery box. • Red Flashing (60 times per minute): The CS is connected to the PBX.

Required Equipment and Maximum Number of Calls

CSs determine the area covered by the wireless system. The number of calls that can be made simultaneously through each CS varies depending on the model, as follows:

CS	Connection Card	Maximum Calls	Compatible PSs
KX-TDA0155	DHLC/DLC	2	<ul style="list-style-type: none"> • KX-TD7685 • KX-TD7695
KX-TDA0158	DHLC/DLC	8	

Note

For more details about the PS, refer to the Operating Instructions of the PS.

Required Distances between Equipment

Maintain the distances listed below between equipment in order to prevent noise, interference or the disconnection of a conversation. (The distance may vary depending on the environment.)

Equipment	Distance
CS and office equipment such as a computer, telex, fax machine, etc.	More than 2 m
CS and PS	More than 1 m
Each CS	More than 3 m
Each PS	More than 0.5 m
PBX and CS	More than 2 m

If multiple CSs cover the same area, the phone connection may become noisy or the number of possible simultaneous calls with PSs may decrease due to interference between the CSs. For details, refer to "2.12.5 Site Survey—Testing the Radio Signal Strength".

The required distance between CSs may vary depending on the environment of the installation site and conditions in which the wireless system is used. Conduct a site survey to determine the appropriate distance.

RF Specification

Item	Description
Radio Access Method	MultiCarrier TDMA-TDD
Frequency Band	1920 MHz to 1930 MHz
Number of Carriers	5
Carrier Spacing	1728 kHz
Bit Rate	1152 kbps
Carrier Multiplex	TDMA, 24 (Tx12, Rx12) slots per frame
Frame Length	10 ms
Modulation Scheme	GFSK Roll-off factor=0.5 50 % roll-off in the transmitter
Data Coding for Modulator	Differential Coding
Voice CODEC	32 kbps ADPCM (CCITT G.726)
Transmission Output	Peak 0.12 W

CAUTION

- The CS should be kept free of dust, moisture, high temperature (more than 40 °C), low temperature (less than 0 °C), and vibration, and should not be exposed to direct sunlight.
- The CS should not be placed outdoors (use indoors).
- The CS should not be placed near high-voltage equipment.
- The CS should not be placed on a metal object.

2.12.2 Procedure Overview

When connecting the wireless system, use extreme care in conducting the site survey. An incorrectly performed site survey can result in poor service area, frequent noise, and disconnection of calls.

IMPORTANT

- When installing the DECT 6.0 wireless system in an area where another wireless system (2.4 GHz) is already installed, it is necessary to reconduct the site survey to find the optimum position for the CS. If you install the new CS in the same position as the old CS, it may result in a poor service area, frequent noise, and disconnection of calls.
- In this case, it is necessary to perform system initialisation. For details about the system initialisation procedure, refer to "2.16.1 Starting the PBX".

1. Investigate the installation site

Refer to "2.12.3 Site Planning".

- Obtain a map of the CS installation site.
- Identify the service area required by the user on the map.
- Plan the location of each CS, taking account of distance, building materials, etc.

2. Prepare for site survey

Refer to "2.12.4 Before Site Survey".

- Check and assign the CS ID number to the PS.
- Assign a channel number to each CS by setting the DIP switches on the back of the CS.
- Supply electricity to each CS using an AC adaptor/battery box or by connecting them to the PBX.
- Install each CS temporarily as planned.

Notes

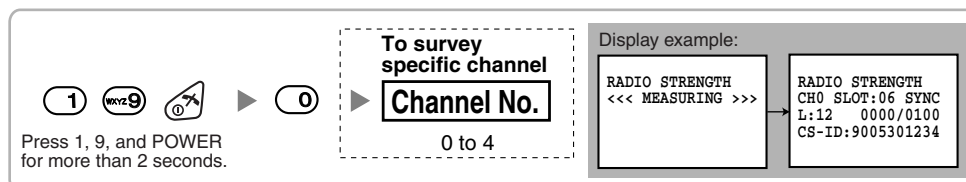
- Install at least 2 m above the floor.
- Place the antennas so that they are pointing in directions that are 90 degrees apart (for antenna diversity).

3. Conduct the site survey

Refer to "2.12.5 Site Survey".

- Test the radio signal strength using the PS. Confirm that the radio signal strength level is "12" near the CS.

Using the KX-TD7685/KX-TD7695



- By walking away from the CS with the PS, check the radio signal strength. The radio signal strength weakens as you walk away from the CS.
- Map the CS coverage area at radio signal strength levels "3" and "8".
- Make sure that adjacent CS coverage areas meet where the radio signal strength level is "7" to "9".

- e. Make sure that the radio signal strength level is greater than "3" at any location within the service area required by the user.

4. Finish the site survey

Refer to "2.12.6 After Site Survey".

- a. Turn off the PS.
- b. Stop supplying power, and return all DIP switches of each CS to the OFF position.

5. Connect the CS and PS to the PBX and test the operation

Refer to "2.12.7 Connecting a Cell Station to the PBX".

- a. Connect the CSs to the PBX.
- b. Register the PSs to the PBX.
- c. Walk around the service area while having a conversation using a registered PS. If noise is frequent or conversations disconnect, relocate the CSs or install an additional CS.

6. Mount the CS on the wall

Refer to "2.12.8 Wall Mounting".

- a. If there are no problems in testing, mount the CS on the wall.

2.12.3 Site Planning

Choosing the best site for the CS requires careful planning and testing of essential areas. The best location may not always be convenient for installation. Read the following information before installing the unit.

Understanding Radio Waves

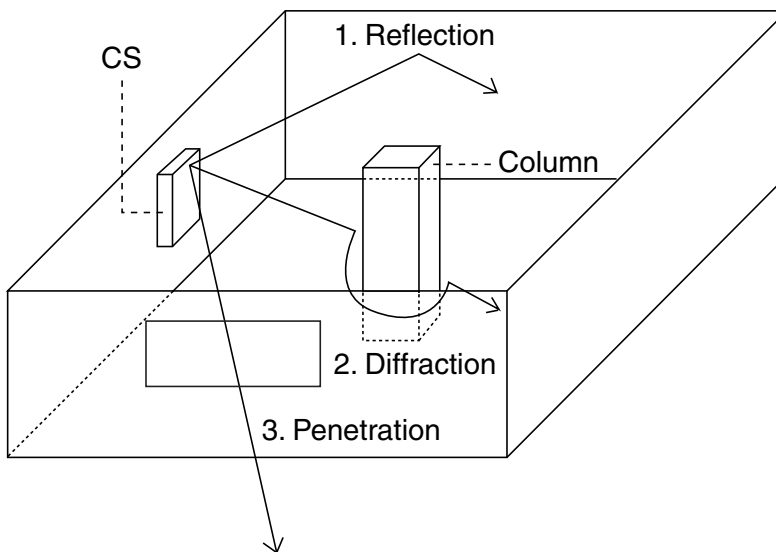
Characteristics of Radio Waves

The transmission of radio waves and the CS coverage area depend on the structure and materials of the building.

Office equipment, such as computers and fax machines, can interfere with radio waves. Such equipment may create noise or interfere with the performance of the PS.

The illustration below shows the special transmitting patterns of radio waves.

1. Radio waves are reflected by objects made of materials such as metal.
2. Radio waves are diffracted by objects such as metallic columns.
3. Radio waves penetrate objects made of materials such as glass.



Relationships between Radio Waves and Building Structure and Materials

- The CS coverage area is affected more by the building materials and their thickness than the number of obstacles.
- Radio waves tend to be reflected or diffracted by conductive objects and rarely penetrate them.
- Radio waves tend to penetrate insulated objects and are rarely reflected by them.
- Radio waves penetrate thin objects more than thick objects.
- The table below shows the transmission tendency of radio waves when they reach objects made from various materials.

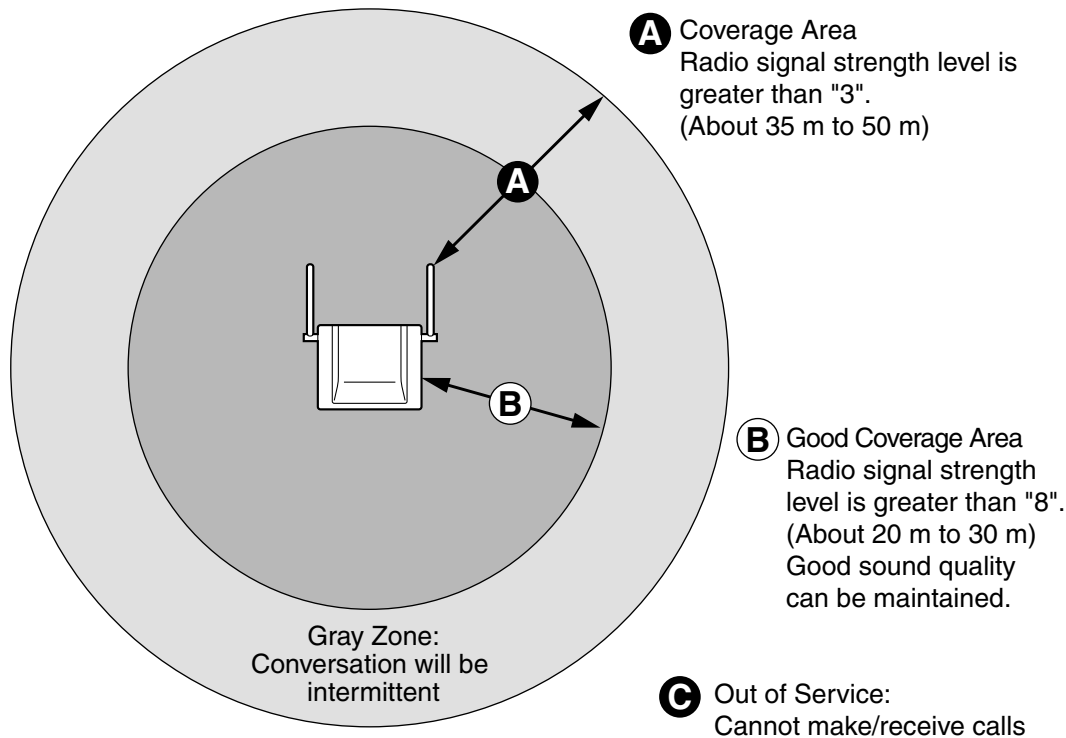
Object	Material	Transmission Tendency
Wall	Concrete	The thicker they are, the less radio waves penetrate them.
	Ferroconcrete	Radio waves can penetrate them, but the more iron there is, the more radio waves are reflected.
Window	Glass	Radio waves usually penetrate them.
	Glass with wire net	Radio waves can penetrate them, but tend to be reflected.
	Glass covered with heat-resistant film	Radio waves are weakened considerably when they penetrate windows.
Floor	Ferroconcrete	Radio waves can penetrate them, but the more iron there is, the more radio waves are reflected.
Partition	Steel	Radio waves are reflected and rarely penetrate them.
	Plywood, Glass	Radio waves usually penetrate them.
Column	Ferroconcrete	Radio waves can penetrate them, but the more iron there is, the more radio waves tend to be reflected or diffracted.
	Metal	Radio waves tend to be reflected or diffracted.
Cabinet	Steel	Radio waves are usually reflected or diffracted, and rarely penetrate them.
	Wood	Radio waves can penetrate them, but they are weakened.

CS Coverage Area

The example below shows the size of the coverage area of 1 CS if it is installed in an area with no obstacles.

Note

Radio signal strength levels are measured during the site survey (refer to "2.12.5 Site Survey").



Radio Signal Strength Levels

Level: 11 to 12		Better
Level: 08 to 10		Good
Level: 03 to 07		May receive noise
Level: 01 to 02		Receives noise easily or disconnects
Level: 00		Out of range

Site Survey Preparation

1. Obtain a map and investigate the installation site.
 - a. Check the obstacles (e.g., shelves, columns, and partitions).
 - b. Check the materials of the structures (e.g., metal, concrete, and plywood).
 - c. Check the layout and dimensions of the room, corridor, etc.
 - d. Write down the above information on the map.
2. Examine the service area required by the user on the map, referring to the following example.
 - a. Draw the coverage area around a CS. Extend the coverage area 20 m to 50 m in each direction, depending on the materials of the building structures and obstacles in the installation site. Note that a CS cannot be installed outside a building.
 - b. If 1 CS cannot cover the entire service area, install additional CSs as required. Overlap the coverage areas of adjacent CSs.
Where CS coverage areas overlap, the PS will start call handover to the next CS if the signal from

one CS becomes weak. However, if a PS moves away from a CS and there are no CSs available for handover, the PS may go out of range and the call could be lost.

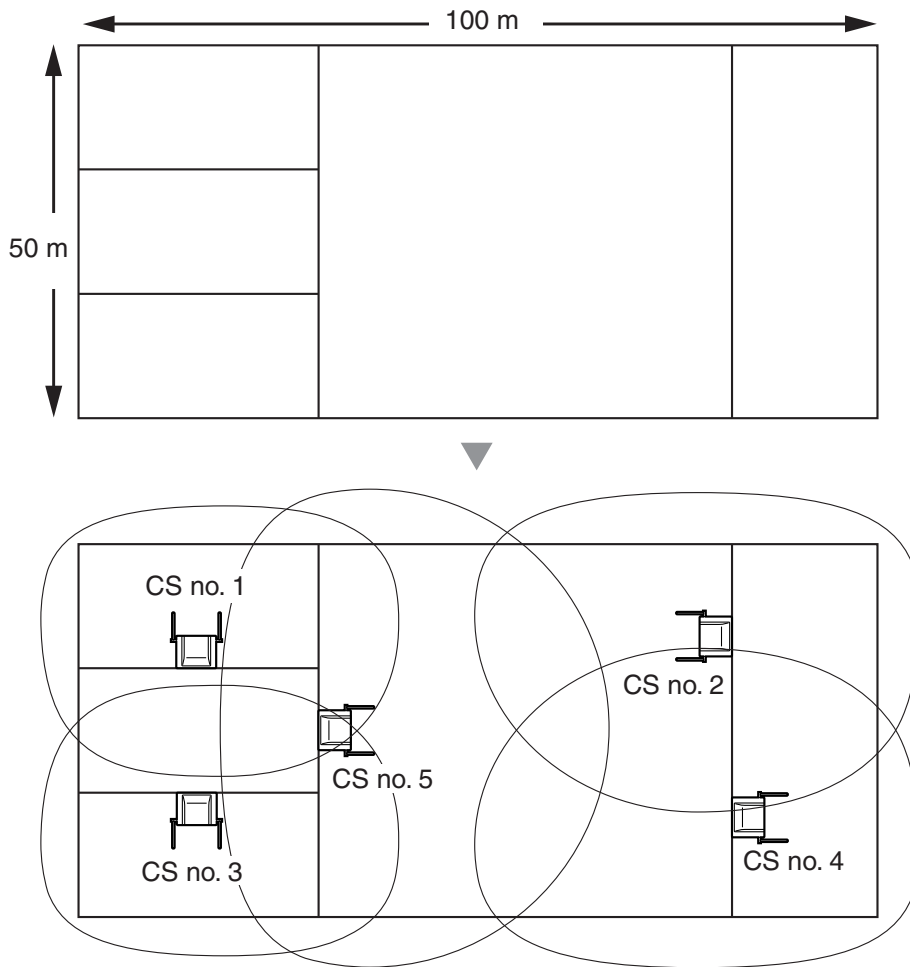
Example: Installing in a Room Separated by Interior Walls

Things to take note of:

- The room is separated by interior walls.
- The room is surrounded by concrete walls.

CS installation plan:

- The coverage area of each CS will not extend as far as when there are no obstacles, because the radio signals will be weakened by separating walls. Therefore, you will need 5 CSs to cover the entire room.



2.12.4 Before Site Survey

Use the KX-TD7685/KX-TD7695 PS to conduct the site survey.

Note

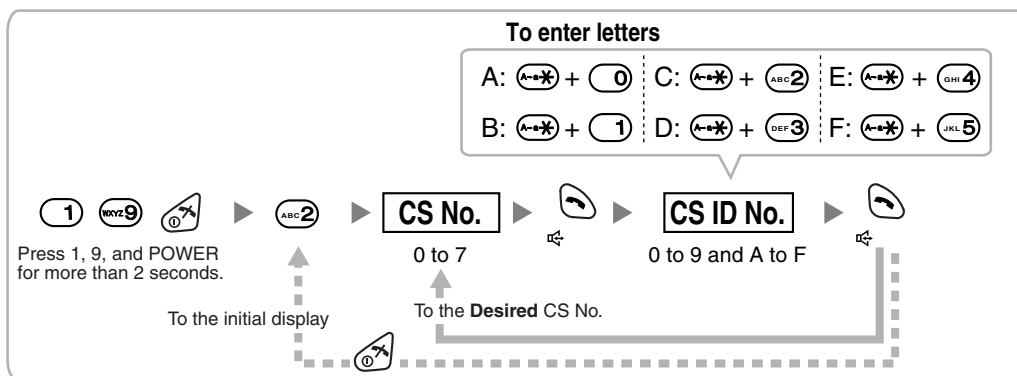
Display prompts for the site survey are only available in English.

Checking the CS ID Number

Check the CS ID number label attached to the CS. If the CS ID number label is not attached to the CS, check the CS ID number using the Maintenance Console. For details, refer to "2.6.14 Utility—CS Information" in the PC Programming Manual.

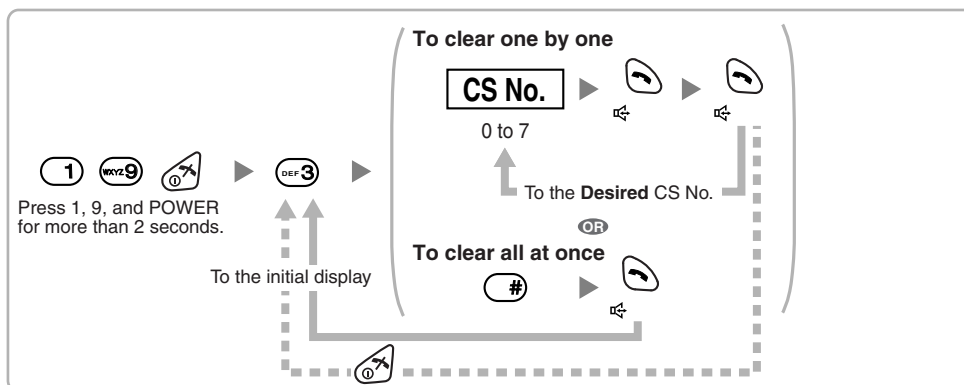
Assigning the CS ID Number to the PS

Using the KX-TD7685/KX-TD7695



Note

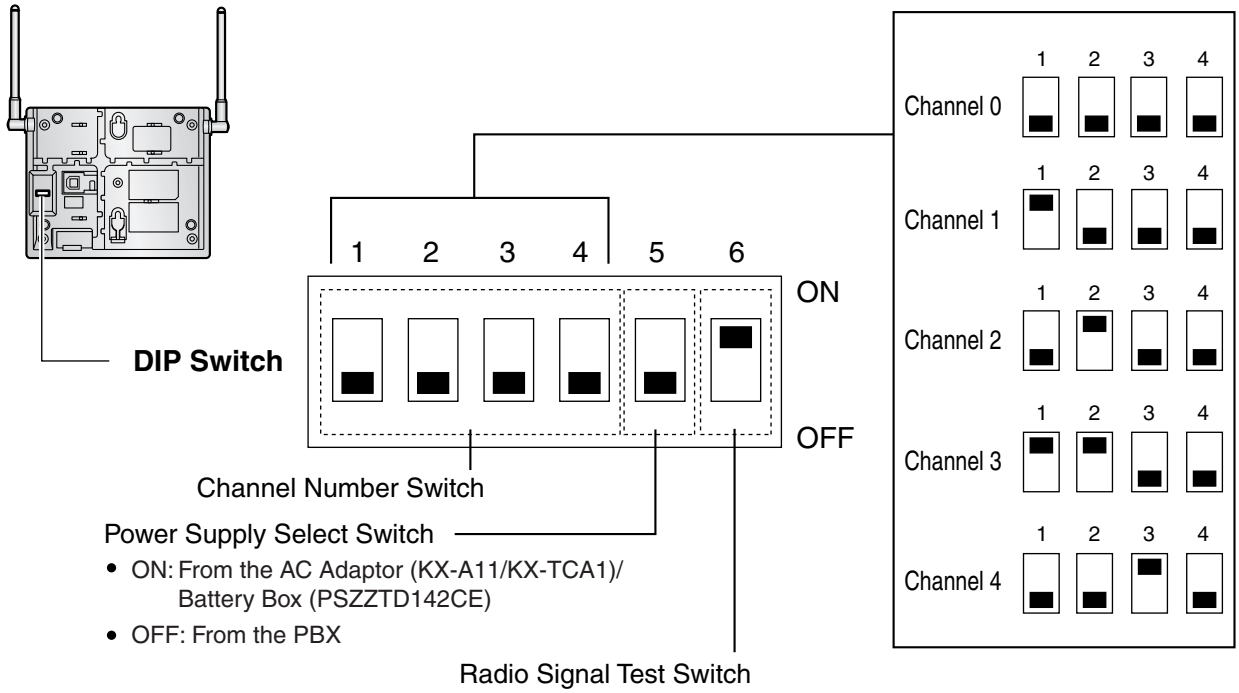
To clear the CS ID number assigned to the PS, follow the procedure below:



Setting and Installing the CS Temporarily for Site Survey

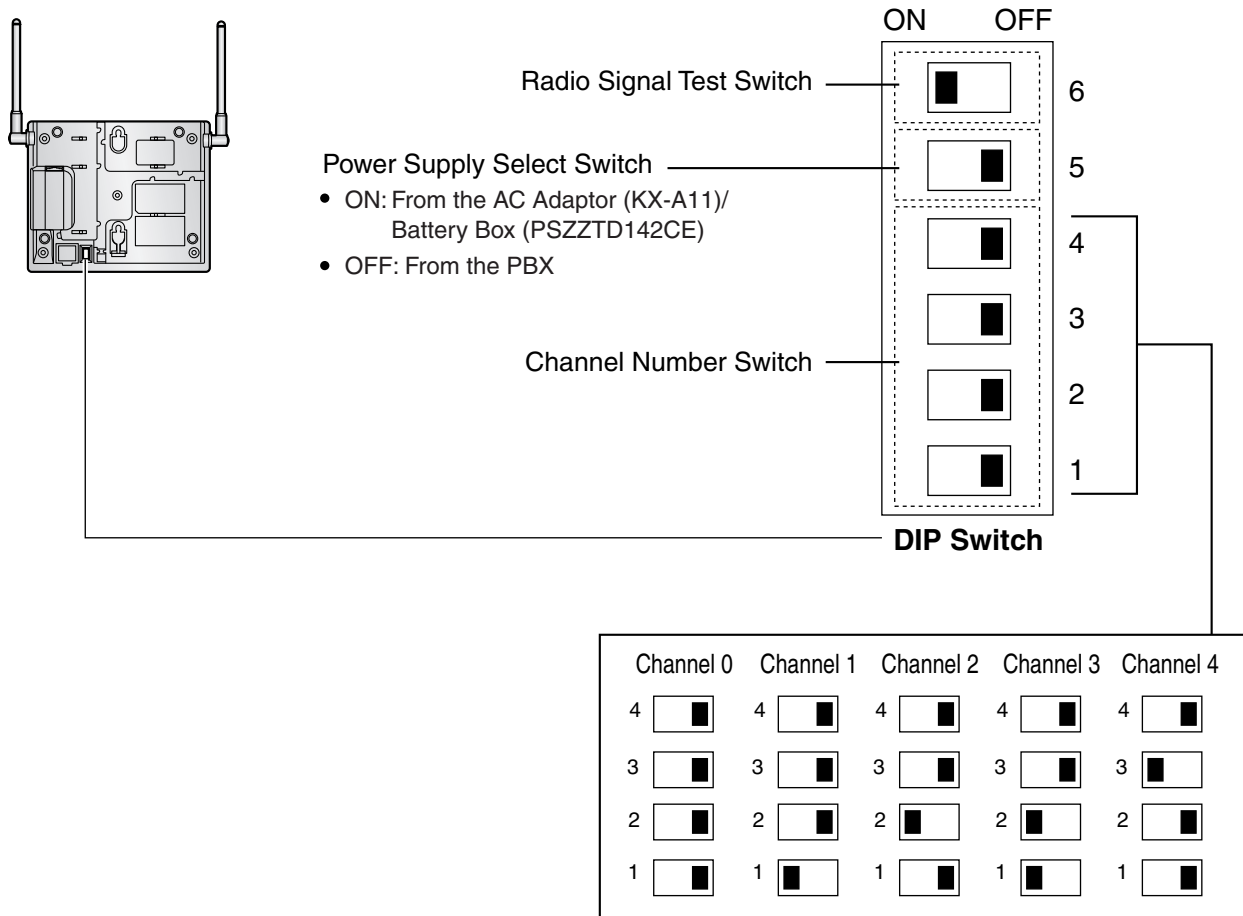
1. Switch the Radio Signal Test switch from OFF to ON.
2. Set the channel number switches as desired.
3. Set the Power Supply Select switch as desired.

KX-TDA0155



2.12 Connection of DECT 6.0 Portable Stations

KX-TDA0158



Note

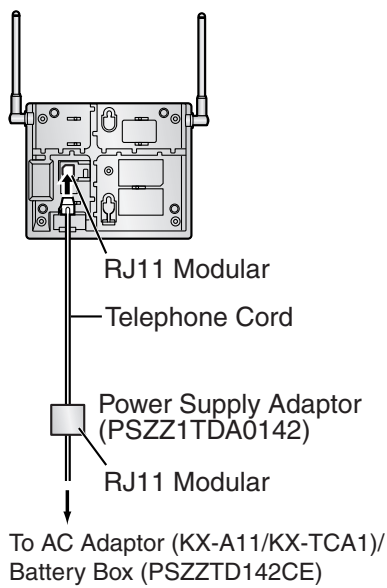
If more than 1 CS is in Radio Signal Test mode, each CS must have a unique channel number.

4. After setting the DIP switches, connect the CS to an AC adaptor/battery box using a power supply adaptor, or connect it to the PBX.

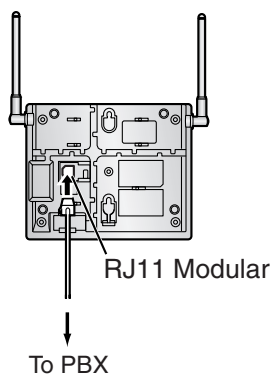
Notes

- When using the KX-TDA0158, it is NOT recommended to conduct the site survey using the battery box.
- The AC adaptor should be connected to a vertically oriented or floor-mounted AC outlet. Do not connect the AC adaptor to a ceiling-mounted AC outlet, as the weight of the adaptor may cause it to become disconnected.
- If the Power Supply Select switch is set to ON in step 3, connect the CS to an AC adaptor/battery box. If it is set to OFF, connect the CS to the PBX.

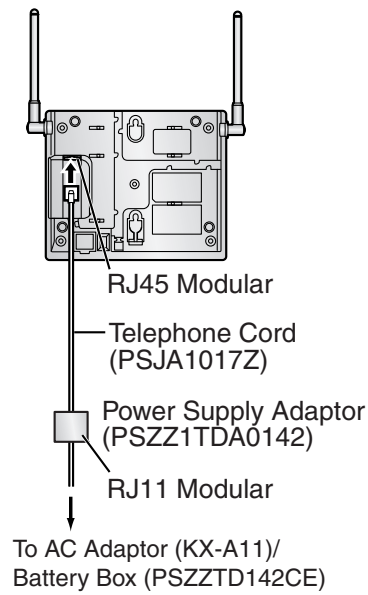
KX-TDA0155



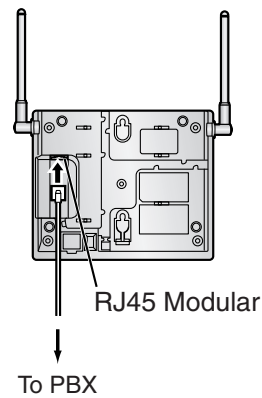
OR



KX-TDA0158

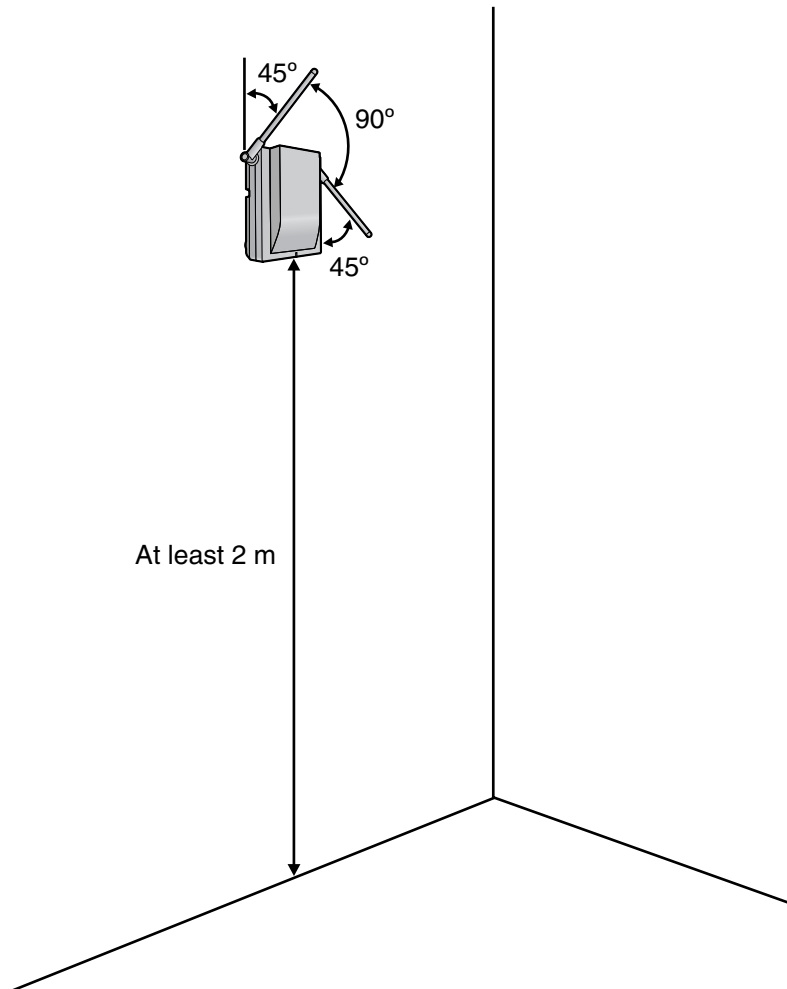


OR



2.12 Connection of DECT 6.0 Portable Stations

5. Install the CS temporarily for the site survey. Install the CS at least 2 m above the floor, and place the antennas so that they are pointing in directions that are 90 degrees apart (for antenna diversity), as follows:



2.12.5 Site Survey

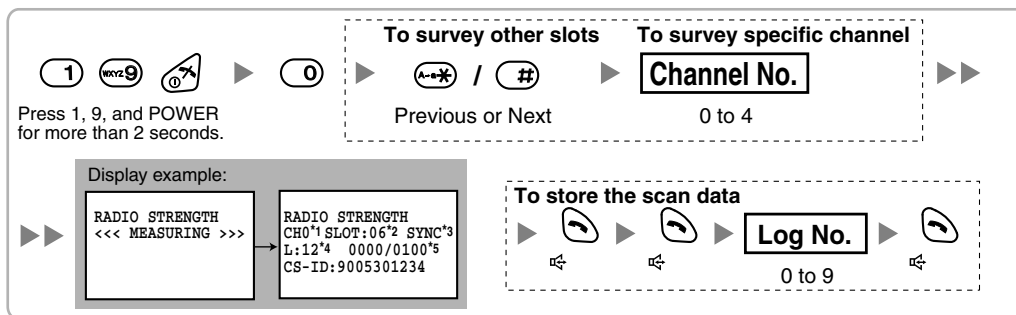
The PS has a Radio Signal Test mode that monitors the state of the radio link to the CS for site survey. In Radio Signal Test mode, the frame loss and signal strength of a synchronous slot, and the signal strength of the other slots can be measured when the PS is monitoring the CS. After installing the CSs temporarily as planned during site planning, set the PS to Radio Signal Test mode and locate each CS to measure its coverage area. Then, record the results on the map of the installation site.

Testing the Radio Signal Strength

After locating the CS(s) temporarily, execute the Radio Signal Test using the PS. Directly after entering Radio Signal Test mode, the PS scans channel 0 for a CS that it can connect to. The channel to be scanned can be changed by pressing the appropriate keys 0 through 4.

1. Enter Radio Signal Test mode.

Using the KX-TD7685/KX-TD7695



Notes

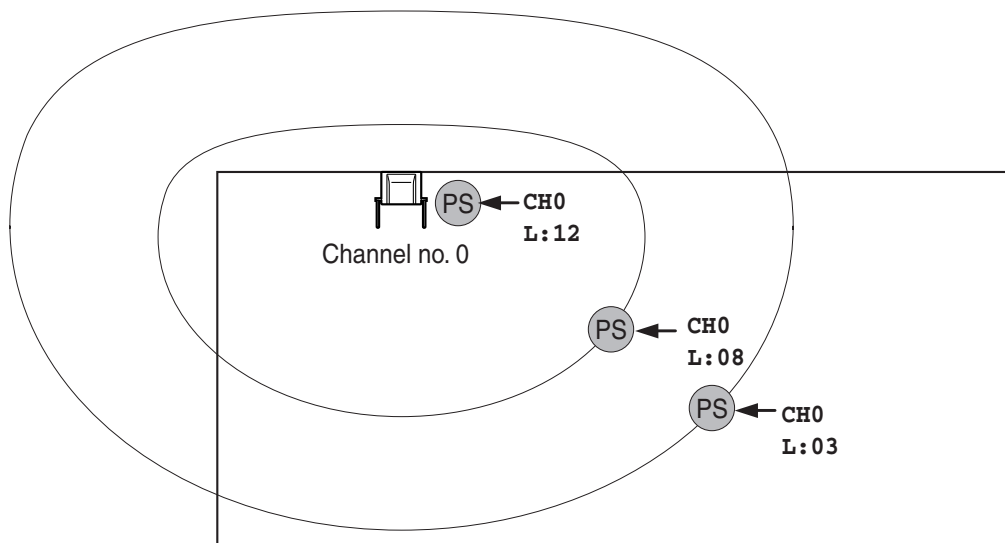
- *1: Channel number
- *2: Slot number
- *3: When a slot is synchronised, "SYNC" is displayed.
- *4: Radio signal strength level (12 to 00)
- *5: Frame error (0000 to 9999)/Frame counter (0000 to 9999). Frame error indicates the number of errors out of 10 000 radio signal receptions. An increased number of frame errors indicates greater radio signal interference and more frequent noise during conversation. The ideal number of frame errors is "0000".

CAUTION

- Storing the scan data will clear all directory data.
 - The PS will not operate in normal mode if scan data is saved on it. For details on clearing scan data, refer to "Clearing the Stored Scan Data".
2. Measure the radio signal strength by moving towards and away from the CS.
 - a. Move to the CS until the radio signal strength level becomes "12".
 - b. Move away from the CS and identify the CS coverage area within which the radio signal strength level is greater than "8". Draw the area on the map.

2.12 Connection of DECT 6.0 Portable Stations

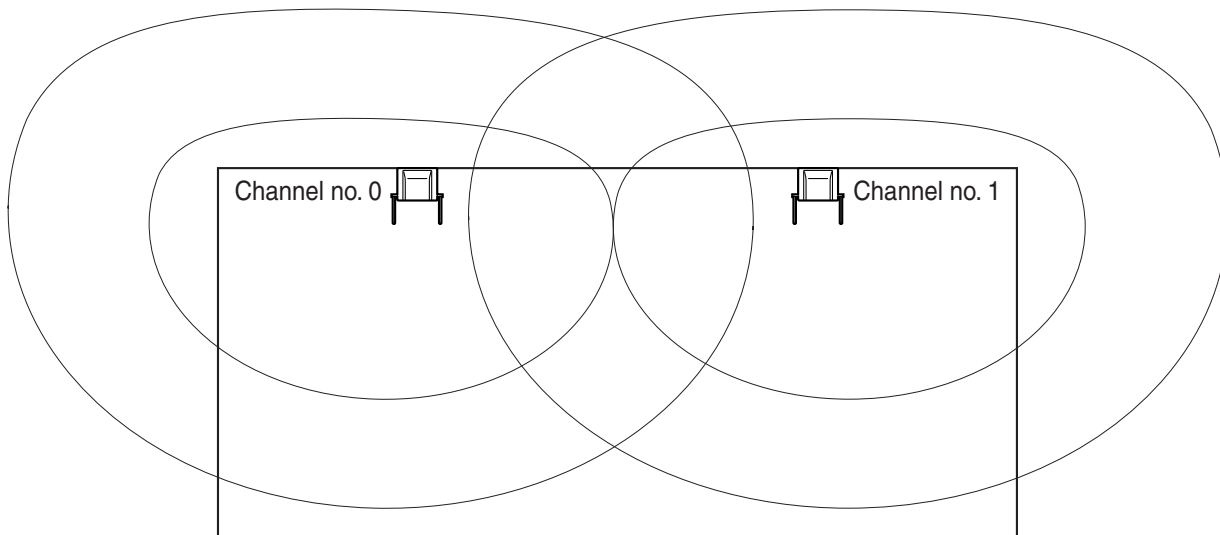
- c. Move away from the CS and identify the CS coverage area within which the radio signal strength level is greater than "3". Draw the area on the map.



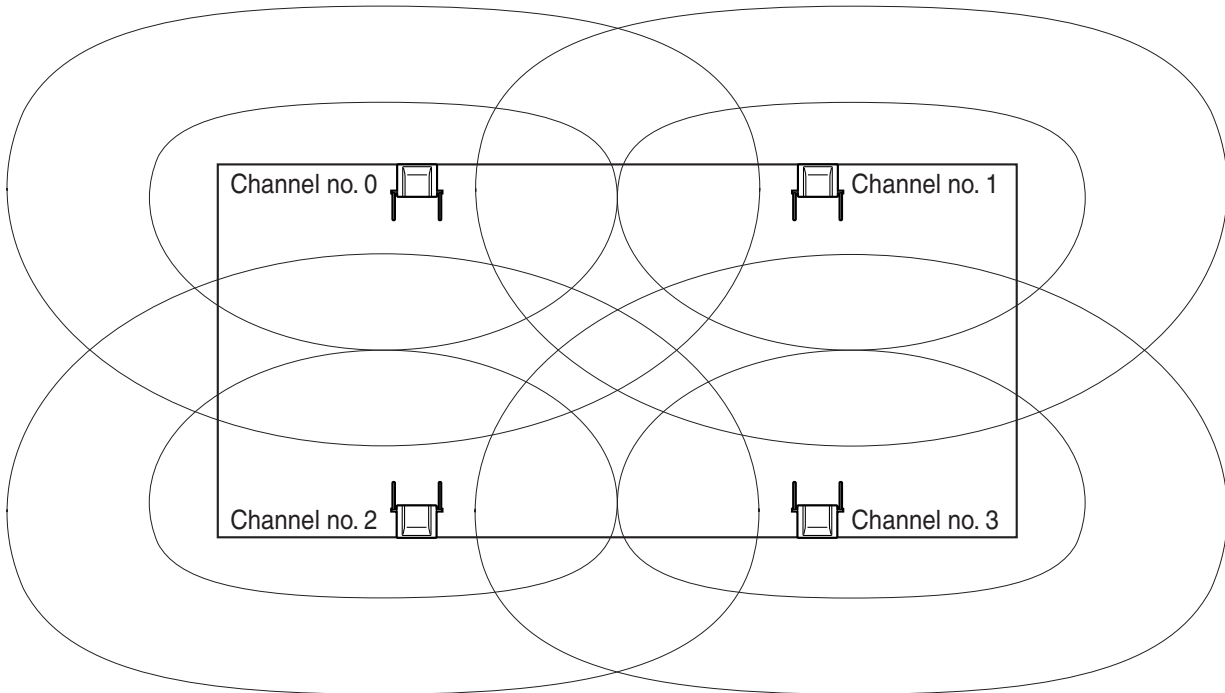
Radio Signal Strength Levels

Level: 11 to 12	 	Better
Level: 08 to 10		Good
Level: 03 to 07		May receive noise
Level: 01 to 02		Receives noise easily or disconnects
Level: 00		Out of range

3. Repeat steps 1 and 2 for other CSs, and relocate the CSs when necessary.
- a. Plan adjacent CS coverage areas so that areas meet where radio signal strength level is "7" to "9".



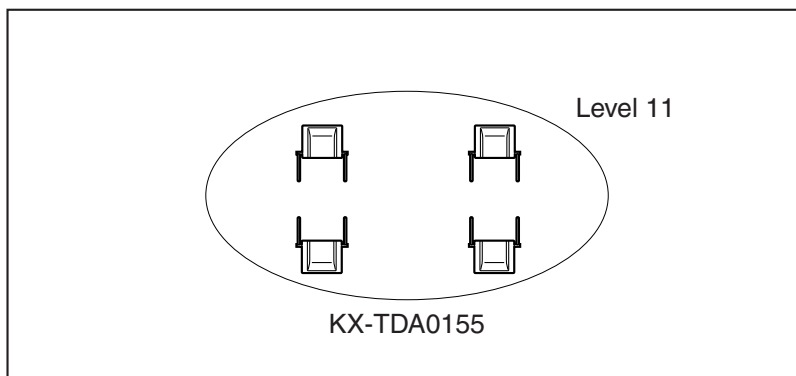
- b. Plan the CS coverage areas to meet for at least 2 CSs at any location in the installation site.



- c. Make sure that the radio signal strength level is greater than "3" at any location in the service area required by the user.

Notes

- If a channel is set, the results of measurement for the 24 slots on the channel are saved each time. If the same channel is set, the new results override the previous ones. Therefore, a measurement of 5 channels × 24 slots in total can be made.
- If correct results cannot be obtained (e.g., there are many frame errors), change the location of the CS and repeat the site survey to select the best location.
- If multiple CSs cover the same area, the phone connection may become noisy or the number of possible simultaneous calls with PSs may decrease due to interference between the CSs. As a guideline, the maximum number of CSs in an area with a radio signal strength of "11" is 4 (for KX-TDA0155)/2 (for the KX-TDA0158).



To guarantee the number of simultaneous calls, the KX-TDA0158 is recommended.

Referring to the Stored Scan Data

Using the KX-TD7685/KX-TD7695

Press 1, 9, and POWER for more than 2 seconds.

0 to 9

To go to other slots	To go to specific channel
◀▶ * / #	▶ Channel No.
Previous or Next	0 to 4

Clearing the Stored Scan Data

Using the KX-TD7685/KX-TD7695

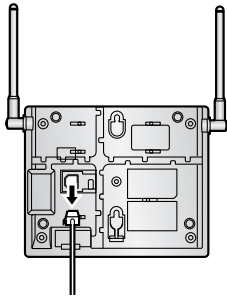
Press 1, 9, and POWER for more than 2 seconds.

2.12.6 After Site Survey

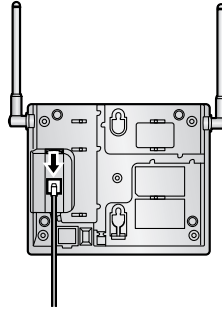
After obtaining the proper measurement results, exit Radio Signal Test mode before connecting the CS to the PBX.

1. Hold down the POWER button on the PS until the PS is turned OFF.
2. Disconnect the CS from the AC adaptor/battery box or the PBX to stop supplying electricity.

KX-TDA0155

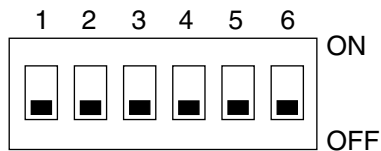


KX-TDA0158

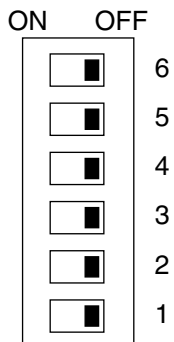


3. Switch all DIP switches on the CS from ON to OFF.

KX-TDA0155



KX-TDA0158



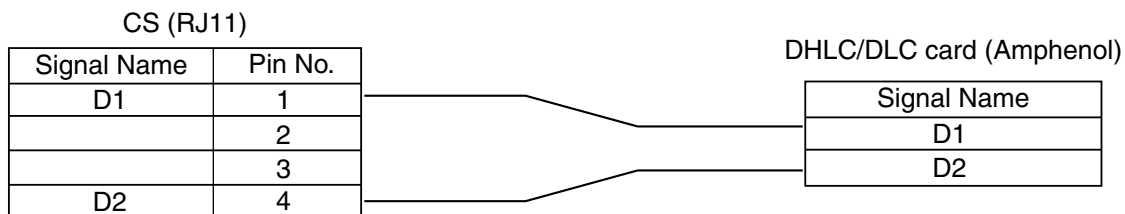
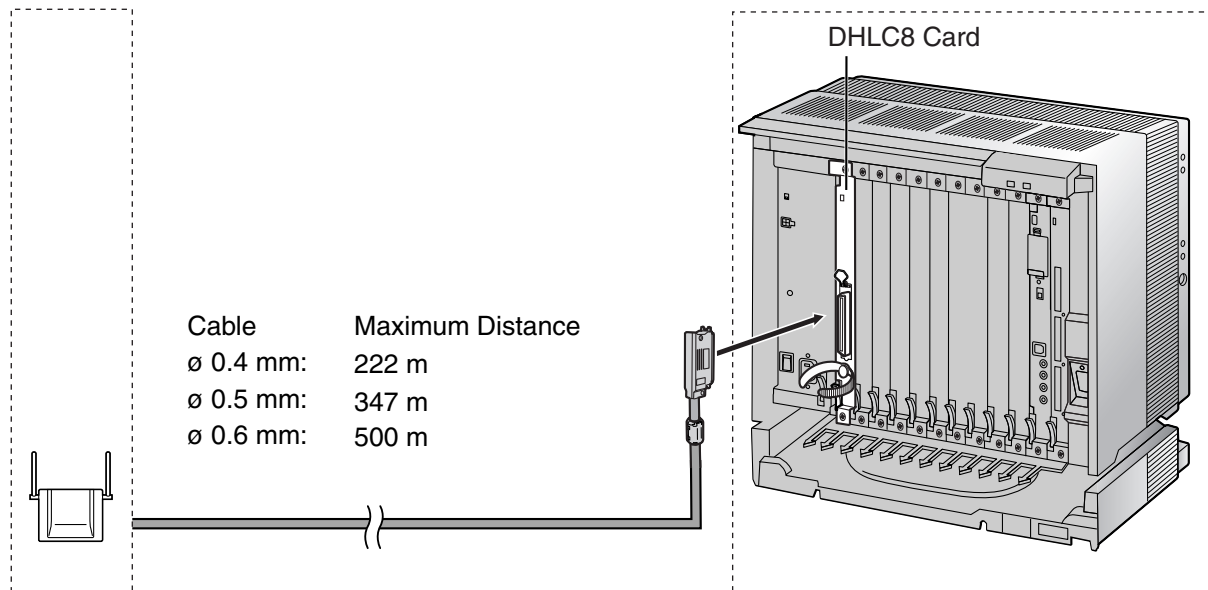
2.12.7 Connecting a Cell Station to the PBX

Note

When connecting both KX-TDA0155 and KX-TDA0158 CSs to the same card, the KX-TDA0158 CSs must be connected to lower-numbered pins on the card than the KX-TDA0155 CSs.

Refer to the following examples to connect a CS to the PBX.

KX-TDA0155



Accessories and User-supplied Items for the CS

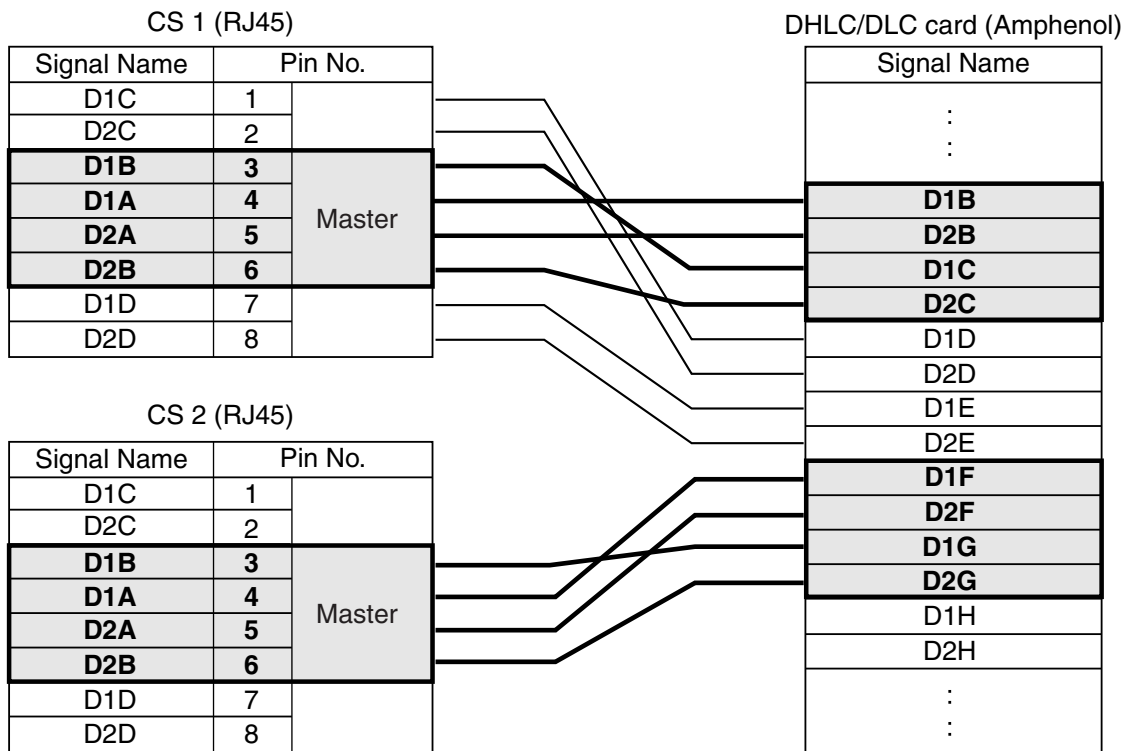
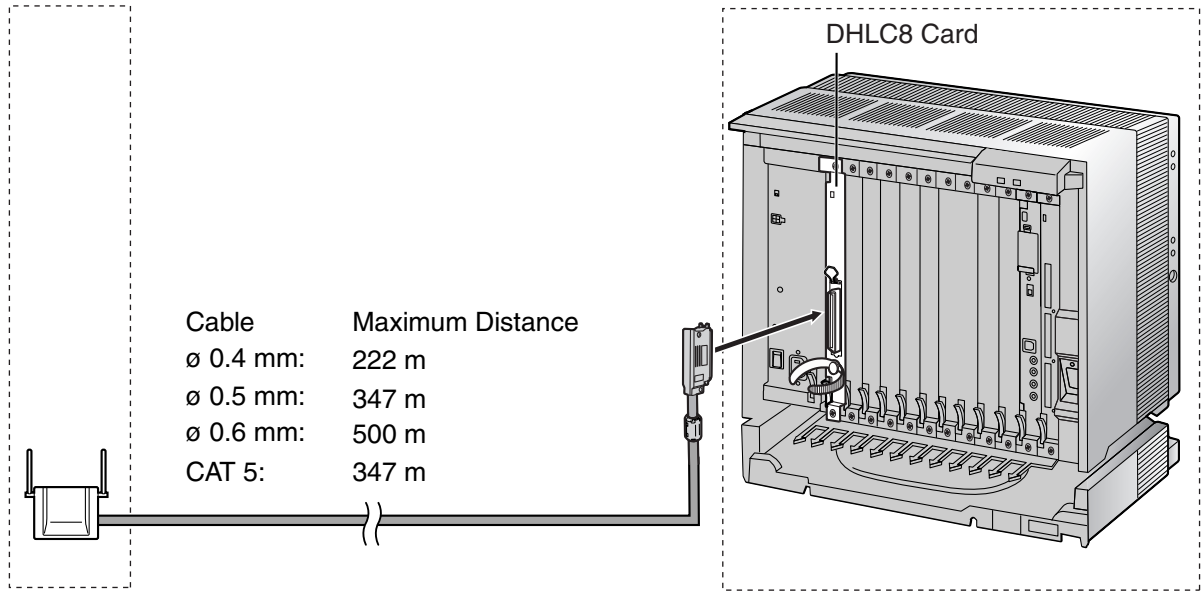
Accessories (included): Screws × 2, Washers × 2

User-supplied (not included): RJ11 connector

Note

For details about DHLC card or DLC card, refer to "2.7.2 DHLC8 Card (KX-TDA0170)", "2.7.3 DLC8 Card (KX-TDA0171)", or "2.7.4 DLC16 Card (KX-TDA0172)".

KX-TDA0158



Accessories and User-supplied Items for the CS

Accessories (included): Screws × 2, Washers × 2

User-supplied (not included): RJ45 connector

Notes

- The no. 3, 4, 5 and 6 pins (Master) of the CS must be connected to 2 pairs of pins on the DHLC/DLC card.

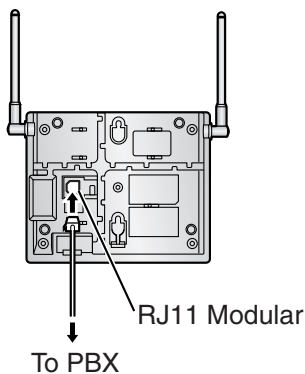
2.12 Connection of DECT 6.0 Portable Stations

- When connecting multiple KX-TDA0158 CSs to a DHLC/DLC card, make sure that the no. 3, 4, 5 and 6 pins (Master) of adjacent CSs are at least 2 pairs of pins away on the card.
- For details about DHLC card or DLC card, refer to "2.7.2 DHLC8 Card (KX-TDA0170)", "2.7.3 DLC8 Card (KX-TDA0171)", or "2.7.4 DLC16 Card (KX-TDA0172)".
- The Local Processor (LPR) software of the DHLC/DLC card used must be version 5.000 or later. If necessary, upgrade the LPR software of the DHLC/DLC card. To confirm the LPR software version of the card, refer to "2.8.2 [1-1] Slot—Summary" in the PC Programming Manual.
- CS connections must be made within the same DHLC/DLC card.
- When a wrong connection is made, satisfactory performance of the CS cannot be guaranteed. Check the connection of CS and the PBX using the Maintenance Console. For information about how to view CS information using the Maintenance Console, refer to "2.6.14 Utility—CS Information" in the PC Programming Manual.

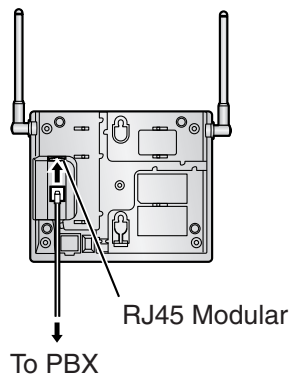
Connecting the CS

1. Connect the cable from the PBX to the CS.

KX-TDA0155

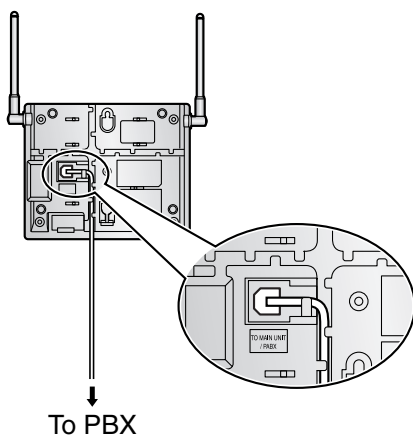


KX-TDA0158

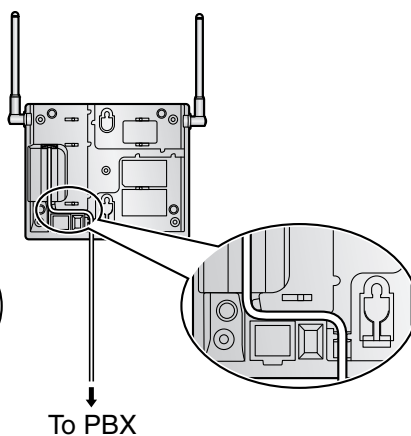


2. Pass the cable through the groove of the CS (in any direction depending on your preference).

KX-TDA0155



KX-TDA0158



Registering the PS

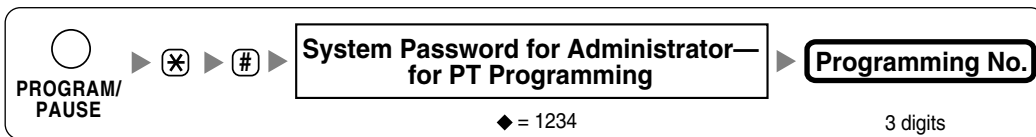
The PS must be registered to the PBX before it can be used. Programming of both the PS and PBX is required. A Proprietary Telephone (PT) with multiline display (e.g., KX-T7636 6-line display) is required to perform the PBX system programming.

Note

For details about system programming using a PT, refer to "2.3.2 PT Programming" in the Feature Guide, and "2.1 PT Programming" in the PT Programming Manual.

Entering the System Programming Mode

PT (Administrator Level)



Note

◆ means default value throughout this section.

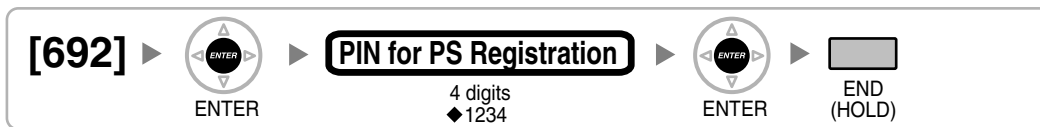
Setting the Personal Identification Number (PIN) for PS Registration

To prevent registering the PS to a wrong PBX, a PIN for PS registration can be set to the PBX. Before registering the PS to the PBX, enter the PIN set to the PBX into the PS. By doing so, the PS will only be registered to the PBX with the matching PIN.

Notes

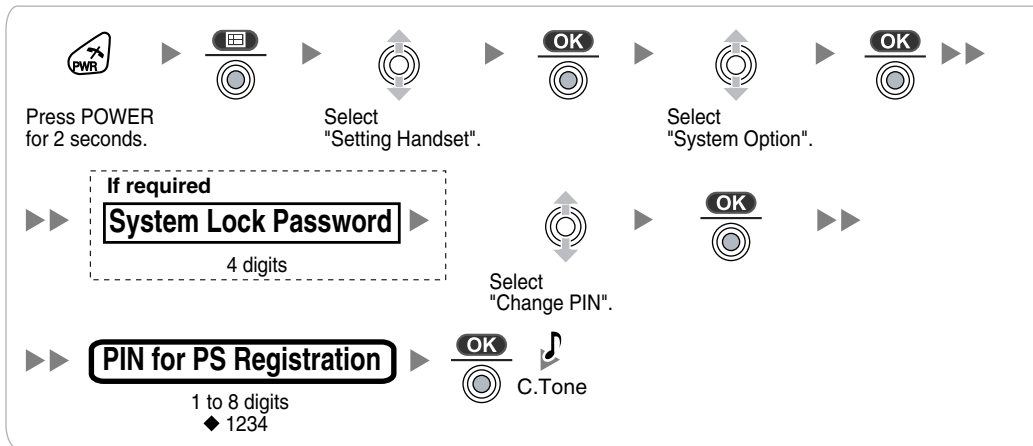
- By default, the PIN for PS registration is "1234" for both the PBX and PS. Therefore, the PS can be registered to the PBX without setting the PIN.
- The PIN for PS registration will only be used when registering the PS to the PBX. Therefore, during normal operation after registration, even if there is more than 1 PBX with the same PIN near the PS, the PS will not be inadvertently linked to a different PBX.

Setting the PIN for PBX

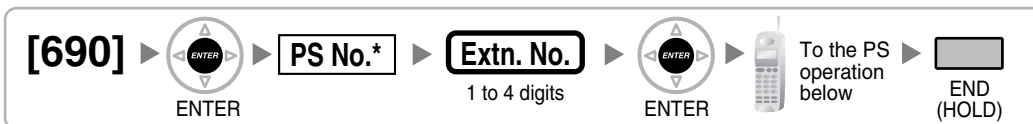


Setting the PIN for PS

Using the KX-TD7685/KX-TD7695



PS Registration

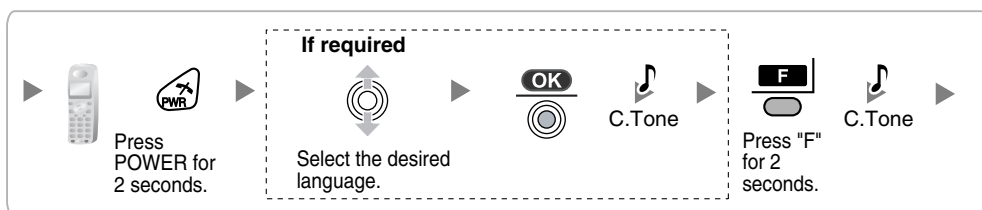


* Without an EMEC card installed: 001 to 256.
With an EMEC card installed: 001 to 512.

When the PS has not been registered yet

When registering the PS for the first time, it is possible to select the desired language for the display. (You do not need to enter the PS system programming mode when registering for the first time.)

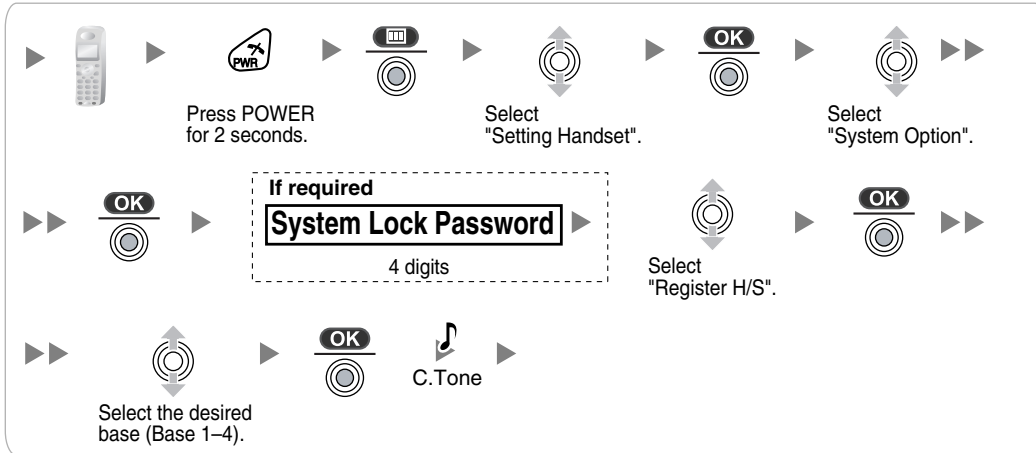
Using the KX-TD7685/KX-TD7695



When the PS has already been registered to another PBX

One PS can be registered to a maximum of 4 different PBXs.

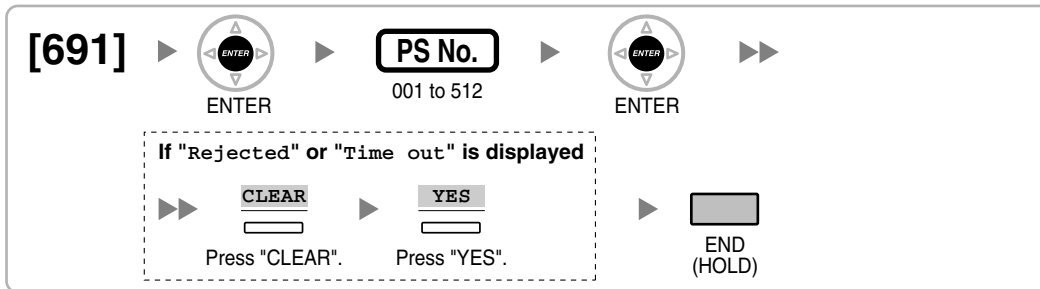
Using the KX-TD7685/KX-TD7695



PS Termination

Confirm the following before cancelling the PS registration:

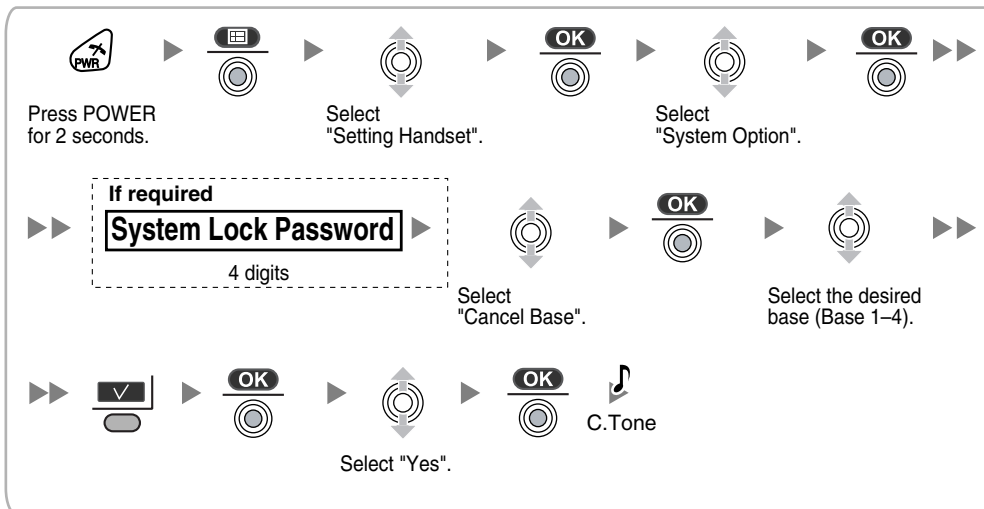
- The PS is turned on.
- The PS is within range.



If "Rejected" or "Time out" is displayed

The registration information is still stored in the PS. You need to delete the registration information from the PS.

Using the KX-TD7685/KX-TD7695



Testing the Operation

Walk around the service area while having a conversation using a registered PS. If noise is frequent or conversations disconnect, relocate the CSs or install an additional CS.

2.12.8 Wall Mounting

Mounting the KX-TDA0155/KX-TDA0158

WARNING

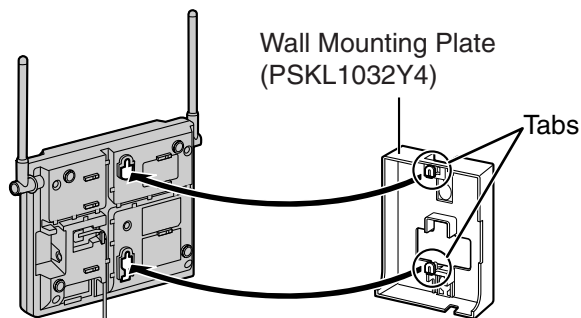
- **MAKE SURE THAT THE WALL THAT THE UNIT WILL BE ATTACHED TO IS STRONG ENOUGH TO SUPPORT THE UNIT (APPROX. 310 g). IF NOT, IT IS NECESSARY FOR THE WALL TO BE REINFORCED.**
- **ONLY USE THE WALL-MOUNTING EQUIPMENT (SCREWS, WASHERS, WALL MOUNTING PLATE) INCLUDED WITH THE UNIT.**
- **WHEN DRIVING THE SCREWS INTO THE WALL, BE CAREFUL TO AVOID TOUCHING ANY METAL LATHS, WIRE LATHS OR METAL PLATES IN THE WALL.**
- **WHEN THIS PRODUCT IS NO LONGER IN USE, MAKE SURE TO DETACH IT FROM THE WALL.**

1. Place the reference for wall mounting on the wall to mark the 2 screw positions.
2. Install the 2 screws and washers (included) into the wall.

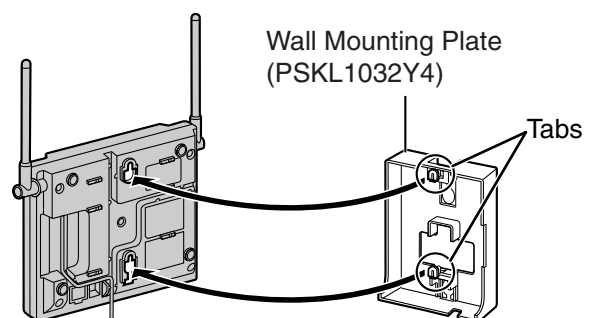
Notes

- Make sure that the screw heads are at the same distance from the wall.
 - Install the screws perpendicular to the wall.
3. Insert the upper and lower tabs of the wall mounting plate into the designated openings in the base unit.

KX-TDA0155



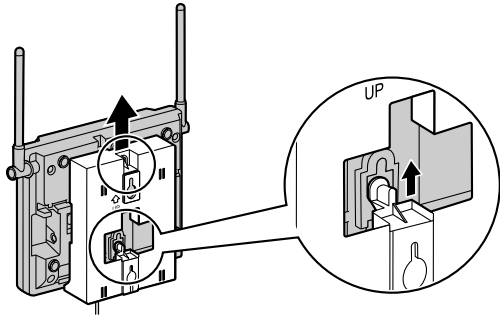
KX-TDA0158



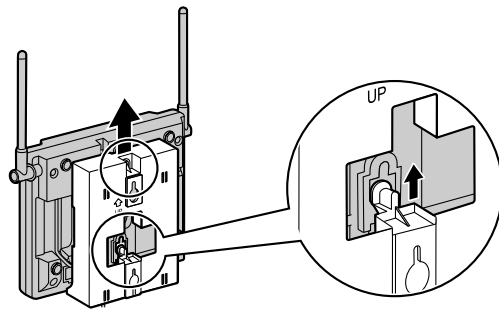
2.12 Connection of DECT 6.0 Portable Stations

- Slide the wall mounting plate in the direction of the arrow until it clicks.

KX-TDA0155

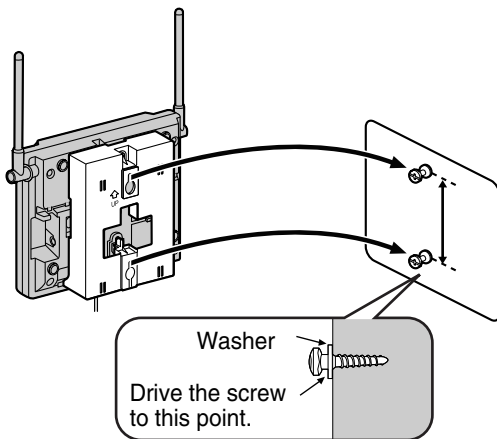


KX-TDA0158

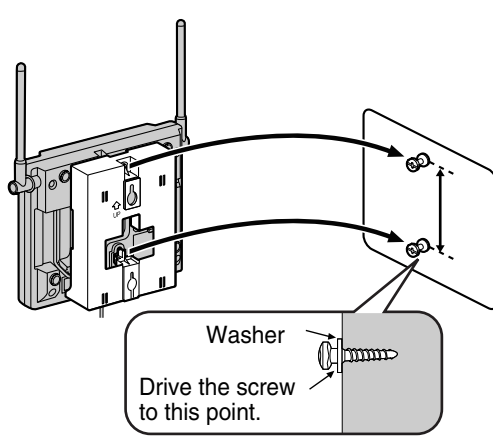


- Hook the CS on the screw heads.

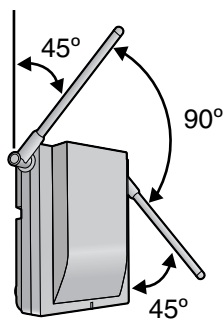
KX-TDA0155



KX-TDA0158



- Place the antennas so that they are pointing in directions that are 90 degrees apart (for antenna diversity), as follows:

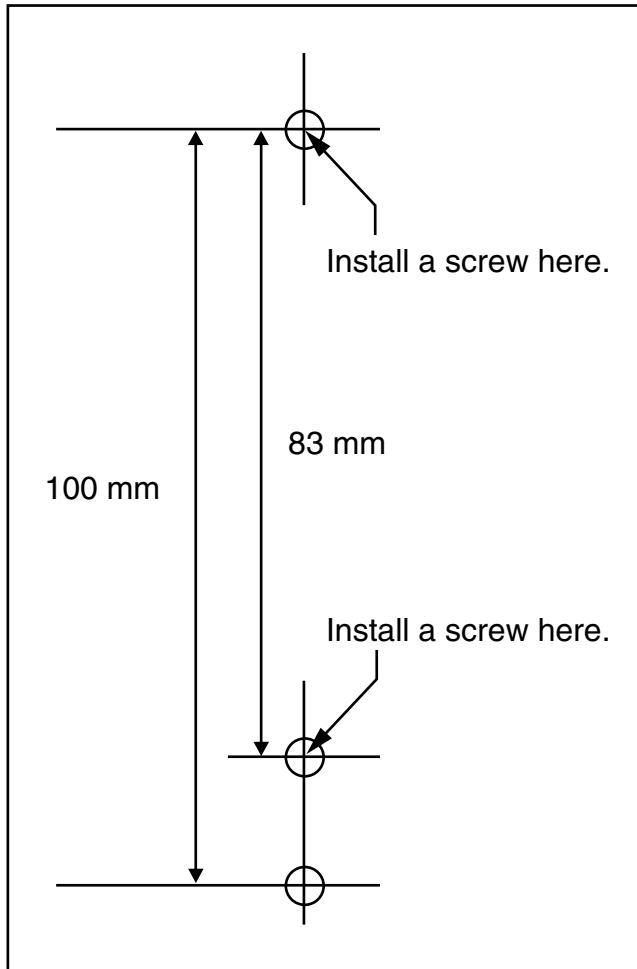


CAUTION

Make sure the cables are securely fastened to the wall.

Reference for Wall Mounting

Please copy this page and use as a reference for wall mounting.



Note

Make sure to set the print size to correspond with the size of this page. If the dimension of the paper output still deviates slightly from the measurement indicated here, use the measurement indicated here.

2.13 Connection of Doorphones, Door Openers, External Sensors, and External Relays

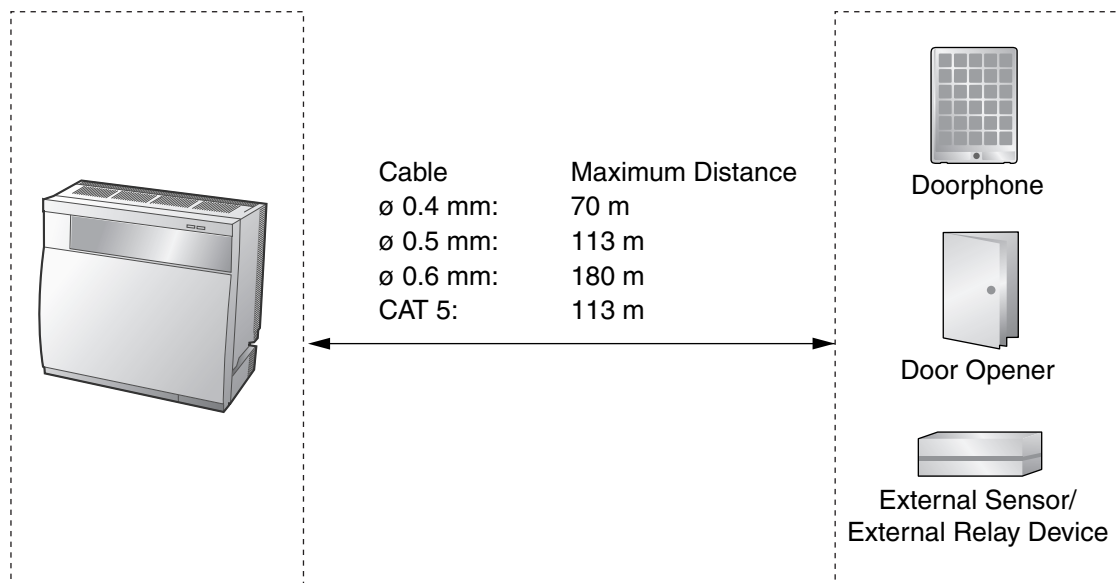
2.13.1 Connection of Doorphones, Door Openers, External Sensors, and External Relays

The PBX supports a maximum of 64 doorphones (KX-T30865/KX-T7765 with a DPH4 card, or German-type doorphone with a DPH2 card), 64 door openers, 64 external sensors, and 64 external relays.

Note

Doorphones, door openers, external sensors, and external relays are user-supplied.

Maximum Cabling Distance

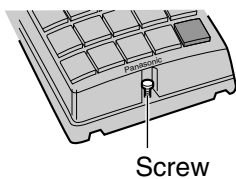


Installing the Doorphone (KX-T30865/KX-T7765)

Note

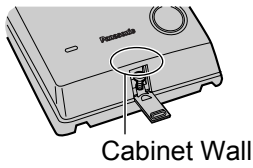
The illustrations shown in the installation procedure are based on the KX-T30865.

1. Loosen the screw to separate the doorphone into 2 halves.

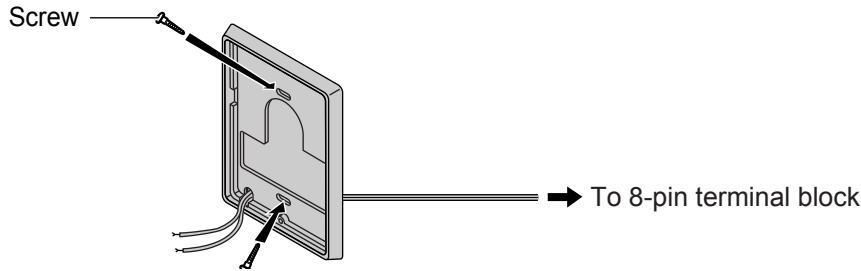


Note for KX-T7765 Users

When loosening/tightening the screw, do not scratch the cabinet wall with the driver shaft.


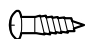


2. Pass the wires through the hole in the base cover, and attach the base cover to a wall using 2 screws.

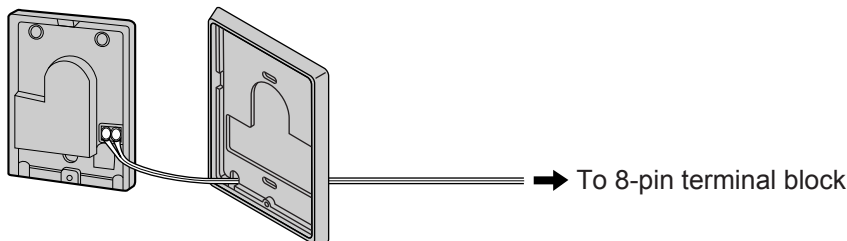


Note

Two kinds of screws are included with the doorphone. Please choose the appropriate kind for your wall type.

-  : when a doorphone plate has been fixed to the wall
-  : when you wish to install the doorphone directly onto the wall

3. Connect the wires to the screws located in the back cover.



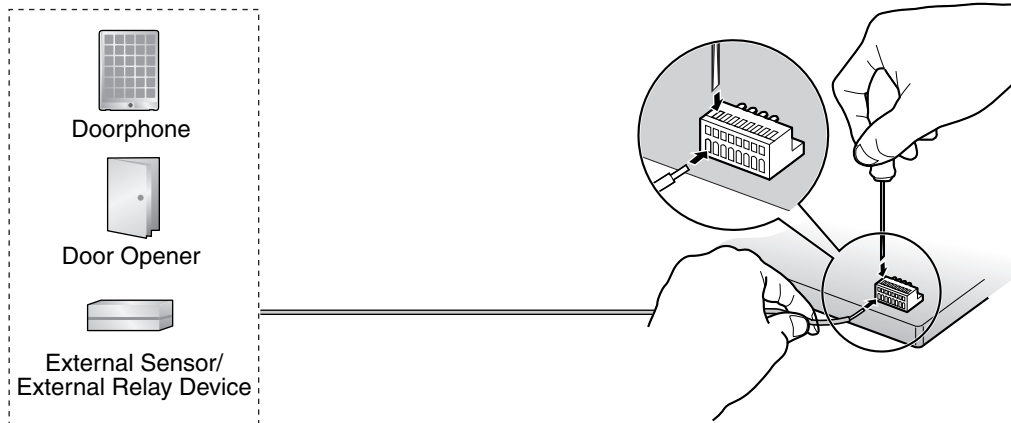
4. Re-attach the 2 halves and re-insert the screw.

Connection

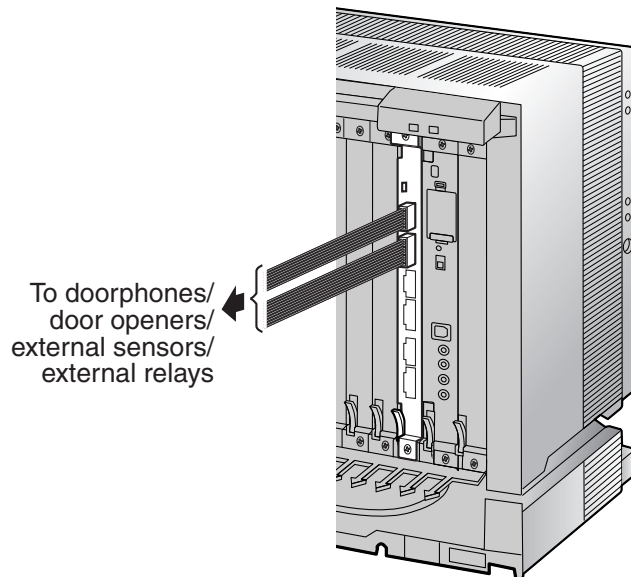
Use 8-pin and 10-pin terminal blocks (included with the card) for connection.

1. While pressing down on the hole at the top of the terminal block using a screwdriver, insert the wire into the side hole as shown below. Repeat this procedure for other doorphones, door openers, external sensors, and external relays. Refer to "2.8.2 DPH4 Card (KX-TDA0161)", "2.8.3 DPH2 Card (KX-TDA0162)", and "2.8.4 EIO4 Card (KX-TDA0164)" for pin assignments.

2.13 Connection of Doorphones, Door Openers, External Sensors, and External Relays

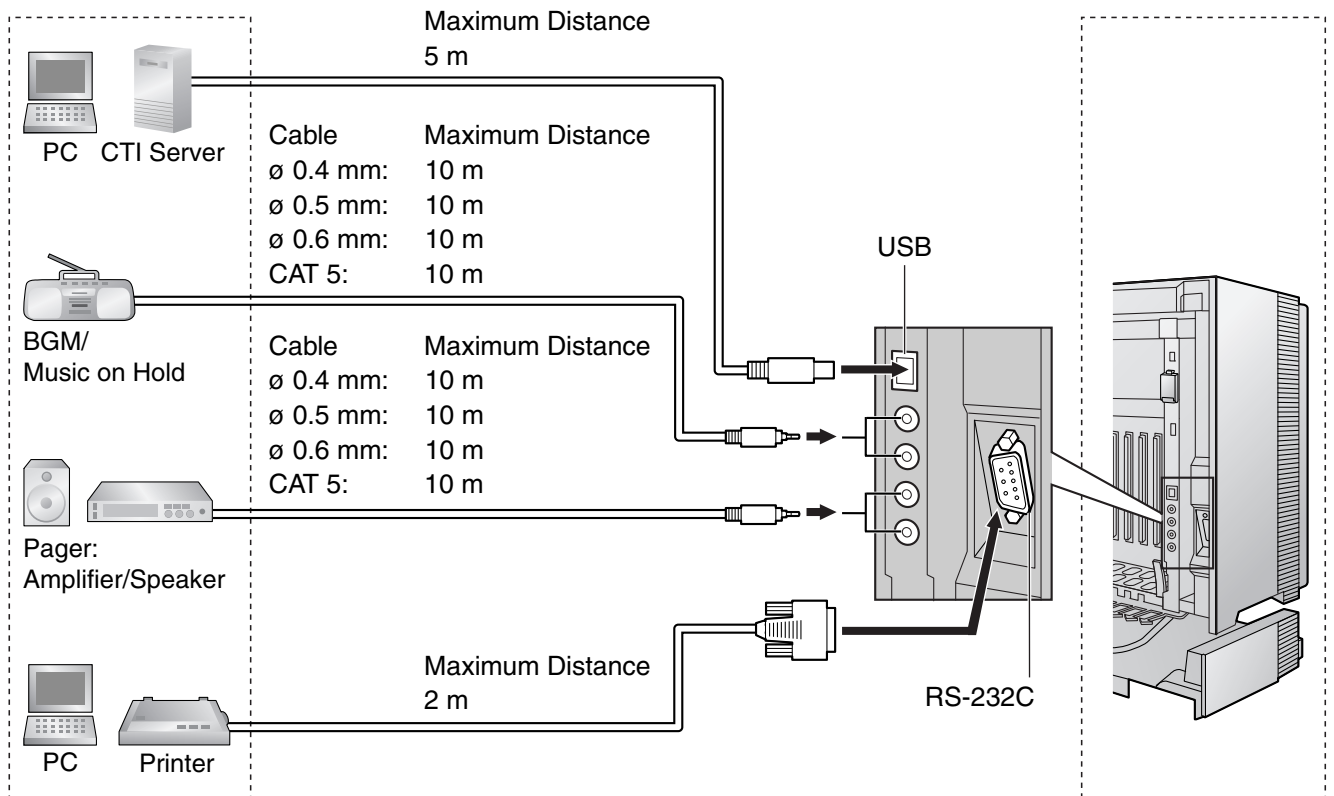


2. Attach the terminal blocks to the connectors of the DPH4/DPH2/EIO4 card on the PBX.



2.14 Connection of Peripherals

2.14.1 Connection of Peripherals



BGM/MOH

The PBX provides Background Music and Music on Hold. Up to 2 external music sources (e.g., user-supplied radios) can be connected to the PBX.

CAUTION

- Wiring should be done carefully to prevent undue force being exerted on the plug. Otherwise, sound may only be heard intermittently.
- External Music Jacks are SELV ports and should only be connected to approved SELV devices, or in Australia, via the Line Isolation Unit with the Telecommunications Compliance Label.

Note

When the PBX and external music sources are not connected to the same earth, hum noise may be induced into Background Music and Music on Hold.

Pager

Up to 2 paging devices (user-supplied) can be connected to the PBX.

CAUTION

External Paging Jacks are SELV ports and should only be connected to approved SELV devices, or in Australia, via the Line Isolation Unit with the Telecommunications Compliance Label.

PC/Printer (via RS-232C)

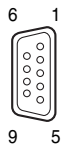
The PBX is equipped with an RS-232C interface. This interface provides communication between the PBX and the user-supplied devices such as PC or line printers. The RS-232C port is used for system programming, SMDR, diagnostics and external system database storage (save/load) functions.

IMPORTANT

To protect the system, keep the following in mind:

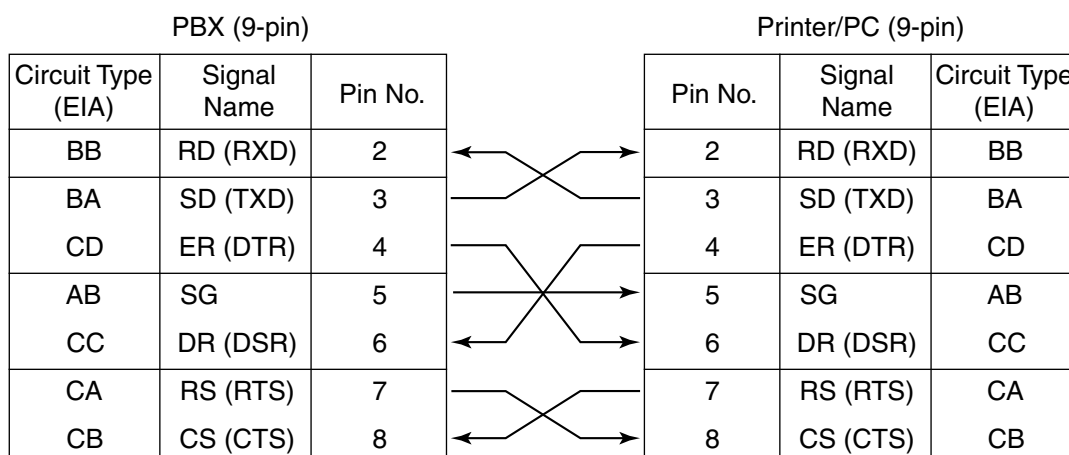
1. Make sure that both connector cases (frame ground) of the RS-232C cross cable (shielded cable) are conductive. If they are not conductive, make sure that both connector cases of the cable are firmly connected.
2. If this is not possible, connect the frame of the PBX to the frame of the PC/Printer using an earthing wire in order to prevent difference in the electrical potentials.

Pin Assignments

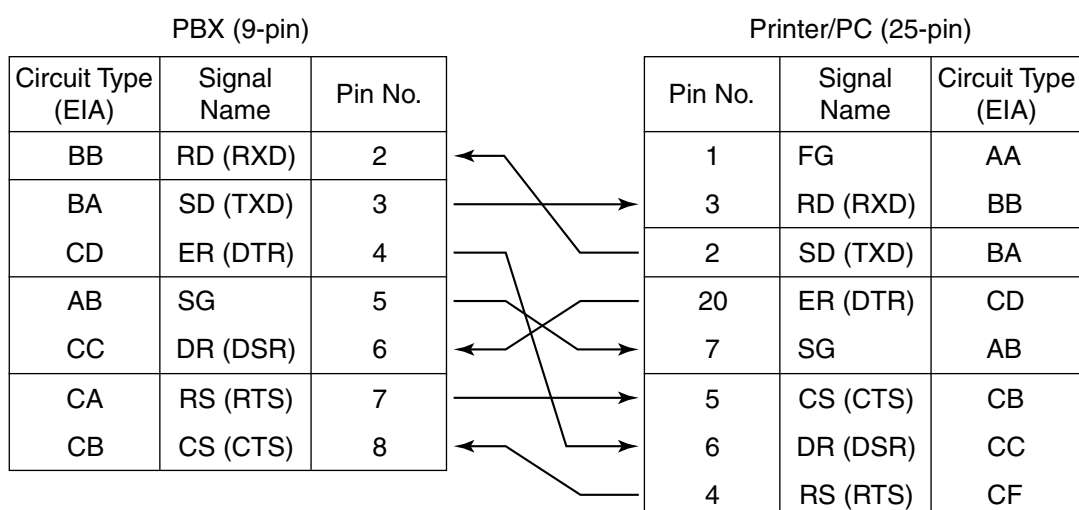
	No.	Signal Name	Function	Circuit Type	
				EIA	CCITT
2	RD (RXD)	Receive Data	BB	104	
3	SD (TXD)	Transmit Data	BA	103	
4	ER (DTR)	Data Terminal Ready	CD	108.2	
5	SG	Signal Ground	AB	102	
6	DR (DSR)	Data Set Ready	CC	107	
7	RS (RTS)	Request To Send	CA	105	
8	CS (CTS)	Clear To Send	CB	106	

Connection Charts

For connecting a printer/PC with a 9-pin RS-232C connector



For connecting a printer/PC with a 25-pin RS-232C connector



RS-232C Signals

- **Receive Data (RXD):...**(input)
Conveys signals from the printer or the PC.
- **Transmit Data (TXD):...**(output)
Conveys signals from the unit to the printer or the PC. A "Mark" condition is held unless data or BREAK signals are being transmitted.
- **Data Terminal Ready (DTR):...**(output)
This signal line is turned ON by the unit to indicate that it is ON LINE. Circuit ER (DTR) ON does not indicate that communication has been established with the printer or the PC. It is switched OFF when the unit is OFF LINE.
- **Signal Ground (SG)**
Connects to the DC ground of the unit for all interface signals.
- **Data Set Ready (DSR):...**(input)
An ON condition of circuit DR (DSR) indicates the printer or the PC is ready. Circuit DR (DSR) ON does not indicate that communication has been established with the printer or the PC.
- **Request To Send (RTS):...**(output)
This lead is held ON whenever DR (DSR) is ON.

2.14 Connection of Peripherals

- **Clear To Send (CTS):...**(input)
An ON condition of circuit CS (CTS) indicates that the printer or the PC is ready to receive data from the unit. The unit does not attempt to transfer data or receive data when circuit CS (CTS) is OFF.
- **Frame Ground (FG)**
Connects to the unit frame and the earth ground conductor of the AC power cord.

PC/CTI Server (via USB version 2.0)

The PBX is equipped with a USB interface. This interface provides communication between the PBX and a PC or a CTI server.

The PC is used for system programming, diagnostics and external system database storage (save/load) functions.

The CTI server is used for connecting PCs on a LAN to provide third party call control CTI. The CTI connection uses the CSTA Phase 3 or TAPI 2.1 protocol.

Note


The operating system of the PC or CTI server required for third party call control depends on your CTI application software. For details, refer to the manual for your CTI application software.

IMPORTANT

To protect the system, keep the following in mind:

1. **Make sure that both connector cases (frame ground) of the USB cable are conductive. If they are not conductive, make sure that both connector cases of the cable are firmly connected.**
2. **If this is not possible, connect the frame of the PBX to the frame of the PC/CTI Server using an earthing wire in order to prevent difference in the electrical potentials.**

Pin Assignments

	No.	Signal Name
	1	VBUS
	2	USB D-
	3	USB D+
	4	GND

2.15 Power Failure Connections

2.15.1 Power Failure Connections

When the power supply to the PBX fails, power failure transfer (PFT) will switch from the current connection to the Power Failure Connection. Refer to "2.4.1 Power Failure Transfer" in the Feature Guide for further information.

Note

While DC power is provided by the backup batteries, the PBX will remain fully operational and the connection will not switch to the Power Failure Connection.

Using Analogue Trunk Card and Extension Card

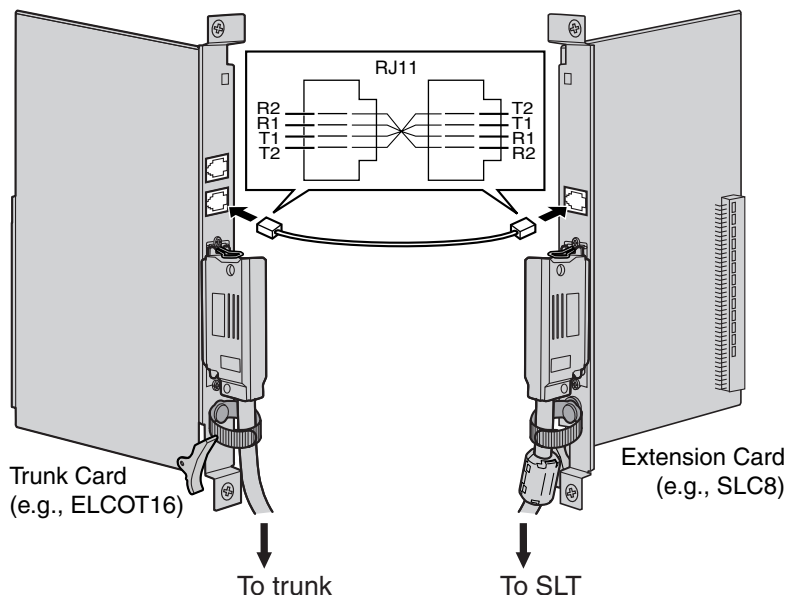
Power Failure Connection connects a specific SLT and a trunk in the event of power failure. The following analogue trunk and extension cards can be used for Power Failure Connections:

- **Analogue trunk card:** ELCOT16 (4 PFT ports)
- **Extension card:** EMSLC16 (4 PFT ports), ESLC16 (4 PFT ports), ECSLC24 (4 PFT ports), CSLC16 (4 PFT ports), DHLC8 (2 PFT ports) and SLC8 (2 PFT ports)

To 1 analogue trunk card, connect only 1 extension card.

Notes

- Power Failure Connections must be made within the same shelf.
- By programming the PBX, a trunk conversation established during power failure can be maintained even when the power returns and the connection is switched back to the normal configuration from the Power Failure Connection. However, if no special programming is performed, the connection will be dropped when power returns.



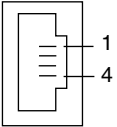
Accessories and User-supplied Items

Accessories (included): none

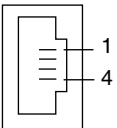
User-supplied (not included): RJ11 connectors

RJ11 Connector Pin Assignments for Analogue Trunk Card

PFT Ports 1 and 2

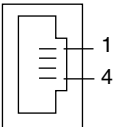
	No.	Signal Name	Function
	1	R2	Ring port 2
	2	R1	Ring port 1
	3	T1	Tip port 1
4	T2	Tip port 2	

PFT Ports 3 and 4

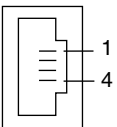
	No.	Signal Name	Function
	1	R4	Ring port 4
	2	R3	Ring port 3
	3	T3	Tip port 3
4	T4	Tip port 4	

RJ11 Connector Pin Assignments for Extension Card

PFT Ports 1 and 2

	No.	Signal Name	Function
	1	T2	Tip port 2
	2	T1	Tip port 1
	3	R1	Ring port 1
4	R2	Ring port 2	

PFT Ports 3 and 4 (for EMSLC16/ESLC16/ECSLC24/CSLC16 card only)

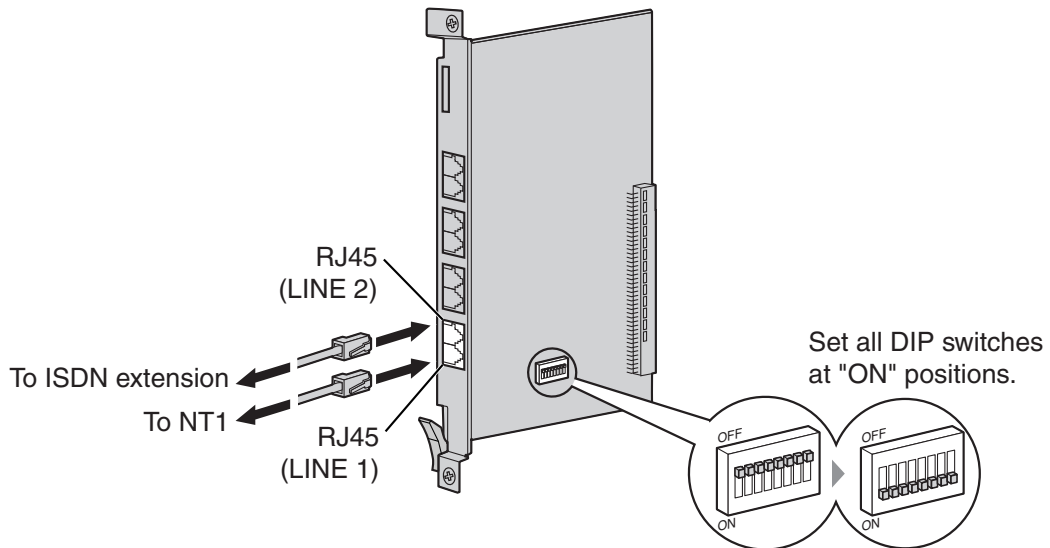
	No.	Signal Name	Function
	1	T4	Tip port 4
	2	T3	Tip port 3
	3	R3	Ring port 3
4	R4	Ring port 4	

Using BRI Card

LINE 1 and LINE 2 of the BRI4 and BRI8 cards can be used for Power Failure Connections.

Note

When the power returns, the connection will switch back to normal configuration from the Power Failure Connection, and a trunk conversation established during power failure will be dropped.



Accessories and User-supplied Items

Accessories (included): none

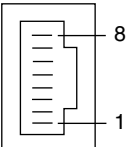
User-supplied (not included): RJ45 connectors

Switch Settings

Switch	Type	Usage and Status Definition
PFT Setting	DIP	Set all DIP switches to "ON" positions to use LINE 1 and LINE 2 as a PFT port. LINE 1: Power Failure LINE (NT1) LINE 2: Power Failure EXTN (extension)

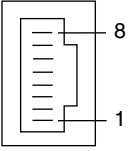
RJ45 Connector LINE 1 Pin Assignments

No.	Signal Name	Level [V]	Function
1-2	Reserved	–	–
3	TX1	(+)	Transmit data 1
4	RX2	(+)	Receive data 2
5	RX1	(-)	Receive data 1
6	TX2	(-)	Transmit data 2
7-8	Reserved	–	–



The diagram shows a side view of an 8-pin RJ45 connector. The pins are numbered 1 through 8. Pin 1 is at the bottom and pin 8 is at the top.

RJ45 Connector LINE 2 Pin Assignments

	No.	Signal Name	Level [V]	Function
	1-2	Reserved	-	-
	3	RX2	(+)	Receive data 2
	4	TX1	(+)	Transmit data 1
	5	TX2	(-)	Transmit data 2
	6	RX1	(-)	Receive data 1
	7-8	Reserved	-	-

2.16 Starting the PBX

2.16.1 Starting the PBX

Before Starting the PBX

Before starting the PBX, please pay attention to the following points:

- **SD Memory Card**
The SD Memory Card must be inserted in the SD Memory Card slot of the EMPR card before startup.
- **Bus Cable**
Pull the Bus Cables in order to make sure that they are connected securely to the shelves. If the Bus Cables detach or are loose, plug them in to the shelves again, confirming that the clasps on the Bus Cable attach securely to the connector of the BUS-S or BUS-M card.

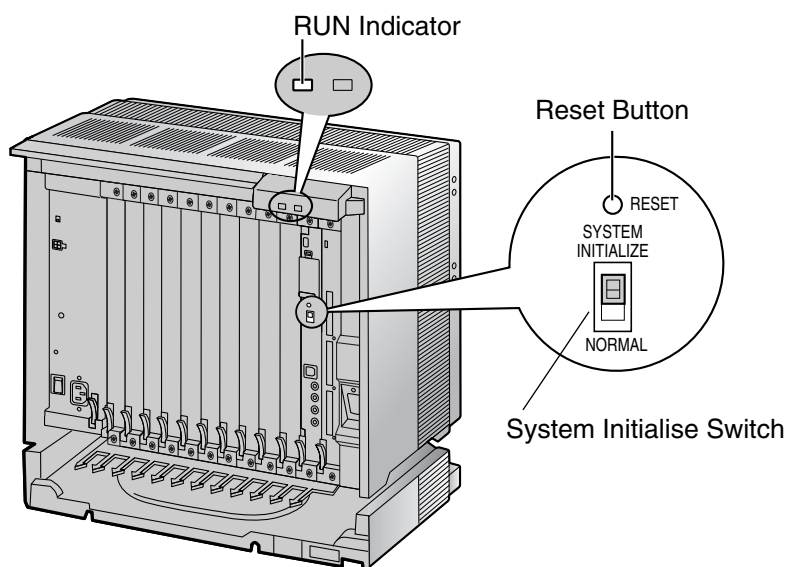
Starting the PBX

CAUTION

- Before touching the System Initialise Switch, discharge static electricity by touching ground or wearing an earthing strap.
- Once you have started the PBX and if you unplug the PBX, do not perform the following procedures to start the PBX again. Otherwise, your programmed data is cleared. To restart the PBX, refer to "4.1.4 Using the Reset Button".
- The PBX will continue to be powered even if the power switch is turned "OFF".
- The power supply cord is used as the main disconnect device. Ensure that the AC outlet is located near the equipment and is easily accessible.

System Initialisation Procedure

1. Slide the System Initialise Switch to the "SYSTEM INITIALIZE" position.

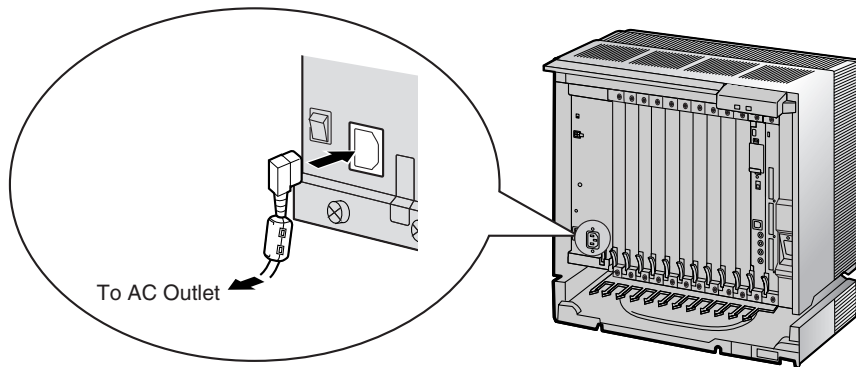


2.16 Starting the PBX

2. Plug the AC power cord into the PBX and an AC outlet, and turn on the PBX. The RUN indicator will flash.

Note

For safety reasons, do not stretch, bend, or pinch the AC power cord.



3. While the RUN indicator is flashing, slide the System Initialise Switch back to the "NORMAL" position. Depending on the configuration, initialisation takes about 1 min to 3 min. If successfully executed, the RUN indicator will stop flashing and stay lit.

All data will be cleared, and the PBX as well as all optional service cards (except for the IP-GW card) will be initialised to the default values. The DPTs should show the time as 01:00. The data of the IP-GW card will not be initialised.

Note

Use only the AC power cord included with the PBX for the PSU.

LED Indications

For the Basic Shelf

Indication	Colour	Description
RUN	Green	<p>PBX status indication</p> <ul style="list-style-type: none">• OFF: Power Off (includes normal reset)• ON: Power On and running (on-line)• Flashing (60 times per minute): Starting up• Flashing (120 times per minute): Starting up or resetting with:<ul style="list-style-type: none">• the System Initialise Switch in "SYSTEM INITIALIZE" position• the SD Memory Card not inserted
ALARM	Red	<p>Alarm indication</p> <ul style="list-style-type: none">• OFF: Normal• ON: Alarm (CPU stop, alarm for each optional service card installed in the Basic Shelf)• Flashing: Alarm (MPR file error in restarting)

For an Expansion Shelf

Indication	Colour	Description
RUN	Green	Expansion shelf status indication <ul style="list-style-type: none"> • OFF: Power Off (includes normal reset) • ON: Power On and running (on-line) • Flashing (60 times per minute): Starting up • Flashing (120 times per minute): Program error in the BUS-S card
ALARM	Red	Alarm indication <ul style="list-style-type: none"> • OFF: Normal • ON: Alarm (CPU stop, alarm for each optional service card installed in Expansion Shelves)

Confirming the Trunk Connection

After initialisation, programme the PBX and connect trunks to the PBX.

To confirm that the trunks are successfully connected, dial [*] [3] [7] + trunk number (3 digits) on a PT, or press the PT's S-CO button. You will hear a dial tone if the trunk is available and connected.

2.16 Starting the PBX

Section 3

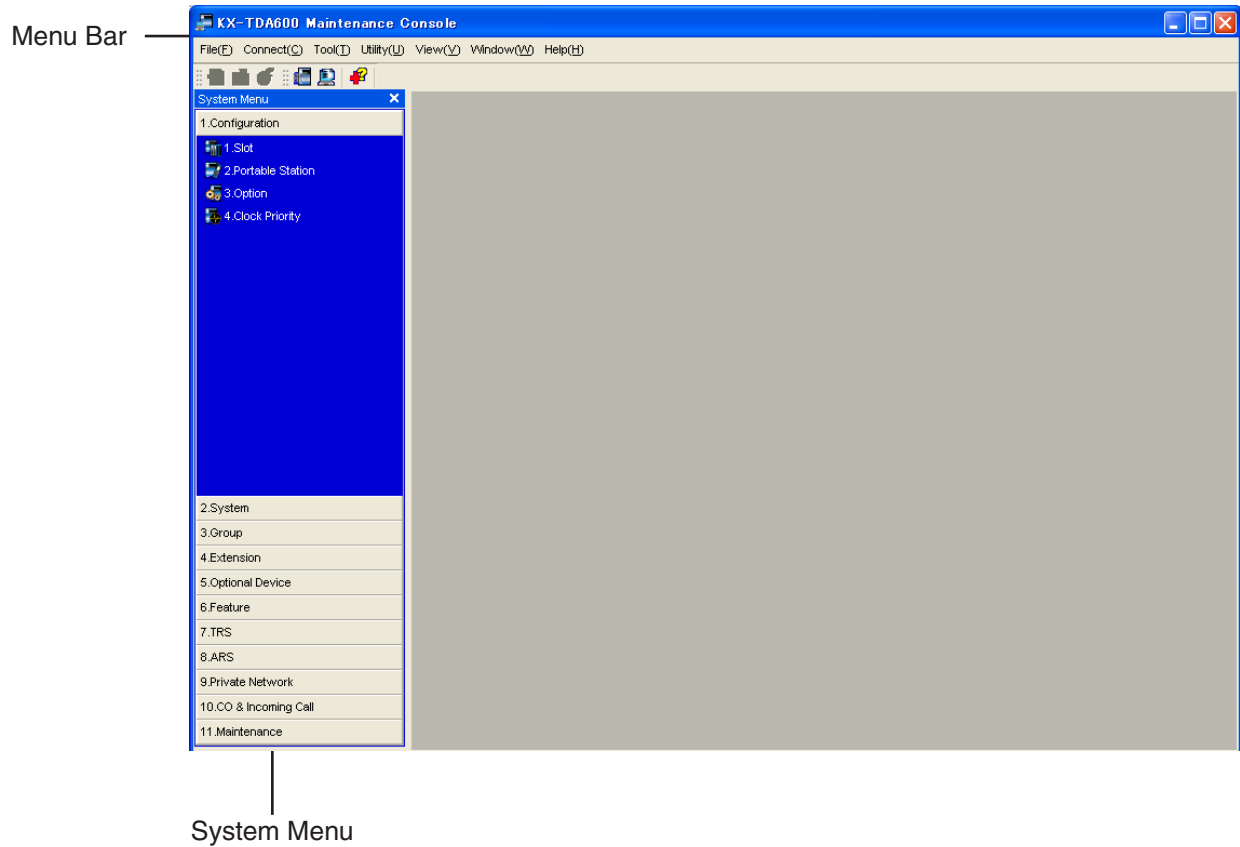
Guide for the Maintenance Console

Explains the installation procedure, structure, and basic information of the Maintenance Console.

3.1 Overview

3.1.1 Overview

The Maintenance Console is designed to serve as an overall system programming reference for the PBX. To programme and administer the PBX by PC, you need to install the Maintenance Console onto the PC. This section describes overview and installation of the Maintenance Console only.



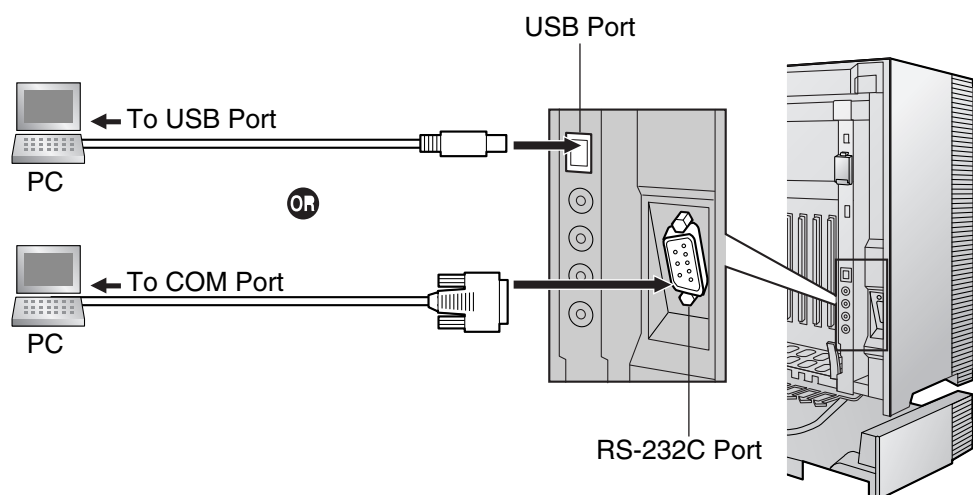
Note

The contents and design of the software are subject to change without notice.

3.2 PC Connection

3.2.1 PC Connection

Serial Interface Connection



IMPORTANT

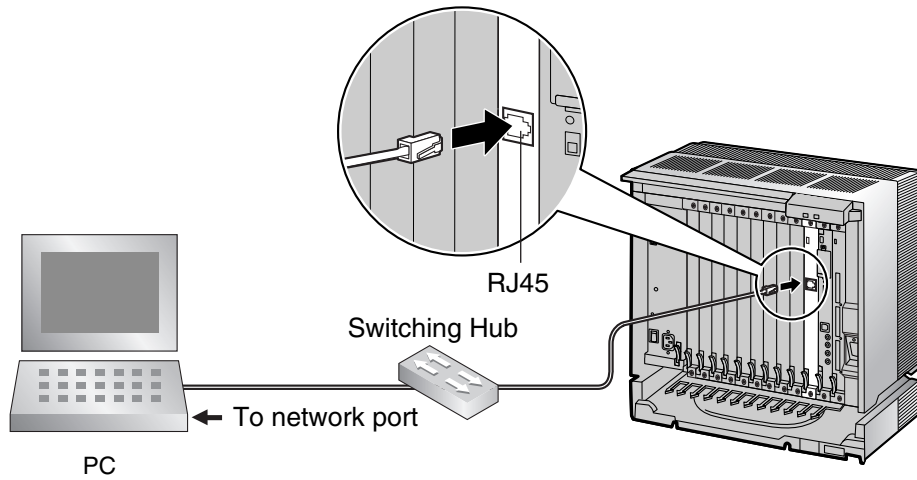
To protect the system, keep the following in mind:

1. Make sure that both connector cases (frame ground) of the RS-232C cross cable (shielded cable)/USB cable are conductive. If they are not conductive, make sure that both connector cases of the cable are firmly connected.
2. If this is not possible, connect the frame of the PBX to the frame of the PC using an earthing wire in order to prevent difference in the electrical potentials.

Note

For pin assignments and maximum cabling distance, refer to "2.14.1 Connection of Peripherals".

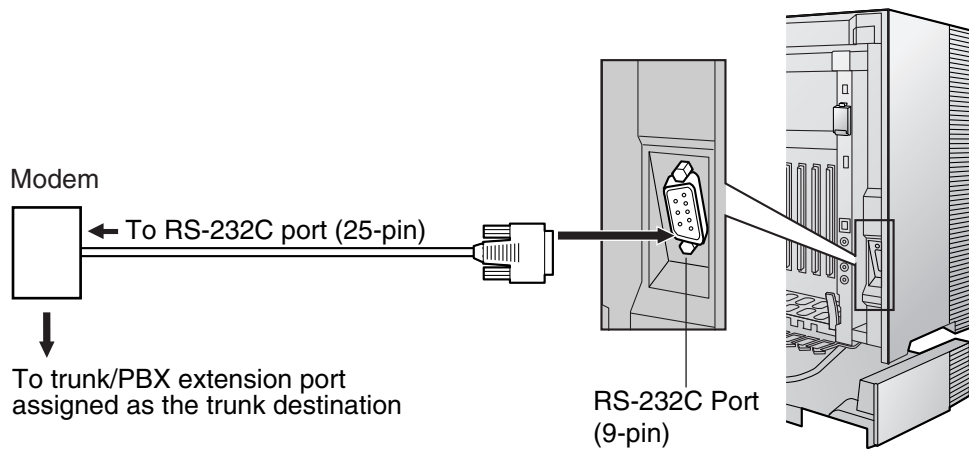
LAN Connection via CTI-LINK Card



Note

For pin assignments and maximum cabling distance, refer to "2.8.8 CTI-LINK Card (KX-TDA0410)".

External Modem Connection



External Modem (25-pin)		PBX (9-pin)	
Signal Name	Pin No.	Pin No.	Signal Name
RD (RXD)	3	2	RD (RXD)
SD (TXD)	2	3	SD (TXD)
ER (DTR)	20	4	ER (DTR)
DR (DSR)	6	6	DR (DSR)

IMPORTANT

To protect the system, keep the following in mind:

1. **Make sure that both connector cases (frame ground) of the RS-232C straight cable (shielded cable) are conductive. If they are not conductive, make sure that both connector cases of the cable are firmly connected.**
2. **If this is not possible, connect the frame of the PBX to the frame of the external modem using an earthing wire in order to prevent difference in the electrical potentials.**

After connecting the PBX and the external modem, set the power switch of the external modem to "ON", then the external modem will be initialised with the default values.

The following AT command settings may be required for the modem:

- The Data Terminal Ready (DTR) signal should be ignored.
- The Data Terminal Equipment (DTE)/Modem flow control should be turned off.
- Data compression should be disabled.
- Error Correction is not necessary.

Notes

- An AT command (for initialisation, enabling automatic answer, etc.) can only be programmed by the Maintenance Console. "AT&F" is stored as the default value.
- For more information about the AT command, refer to the external modem's instructions.

3.3 Installation of the Maintenance Console

3.3.1 Installing and Starting the Maintenance Console

System Requirements

Required Operating System

- Microsoft® Windows® XP or Windows Vista® Business

Minimum Hardware Requirements

- CPU: 800 MHz Intel® Celeron® microprocessor
- HDD: 100 MB of available hard disk space
- RAM: 128 MB of available RAM

Recommended Display Settings

- Screen resolution: XGA (1024 × 768)
- DPI setting: Normal size (96 DPI)

Password Security

Warning to the Administrator or Installer regarding the system password

1. Please provide all system passwords to the customer.
2. To avoid unauthorised access and possible abuse of the PBX, keep the passwords secret, and inform the customer of the importance of the passwords, and the possible dangers if they become known to others.
3. The PBX has default passwords preset. For security, change these passwords the first time that you programme the PBX.
4. Change the passwords periodically.
5. It is strongly recommended that passwords of 10 numbers or characters be used for maximum protection against unauthorised access. For a list of numbers and characters that can be used in system passwords, refer to "1.1.2 Entering Characters" in the PC Programming Manual.

Installing the Maintenance Console

Notes

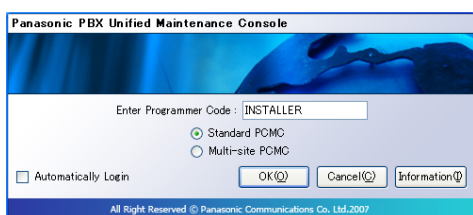
- Make sure to install and use the latest version of the Maintenance Console.
- To install or uninstall the software on a PC running Windows XP Professional, you must be logged in as a user in either the "Administrators" or "Power Users" group.
- To install or uninstall the software on a PC running Windows Vista Business, you must be logged in as a user in the "Administrators" group.
- To connect the PC to the PBX via USB, the KX-TDA USB driver must be installed. Follow the instructions of the wizard to install the KX-TDA USB driver. When the PBX is first connected to the PC via USB, you may be asked to select the appropriate USB driver. Browse for and select the KX-TDA USB driver that was installed previously.

1. Copy the setup file of the Maintenance Console to your PC.
2. Double-click the setup file to run the installer.
3. Follow the on-screen instructions provided by the installation wizard.

Starting the Maintenance Console and Assigning the Basic Items (Quick Setup)

When you start the Maintenance Console with the Installer Level Programmer Code and connect to the PBX for the first time after initialisation (with the factory default setting), Quick Setup will launch automatically. During Quick Setup, you will set up the basic items. For details about the basic items, refer to "2.3.4 Quick Setup" in the Feature Guide.

1. Connect the PC to the PBX with a USB cable.
2. Start the Maintenance Console from the Start menu.
3. "Information before programming" appears.
 - a. Carefully read this important additional information, which includes updates to this and other manuals.
 - b. Click **OK** to close this window.
4. a. Enter the Installer Level Programmer Code (default: **INSTALLER**).
The Programmer Code authorises different programming levels, and the Quick Setup is only available when you start the Maintenance Console with the Installer Level Programmer Code.



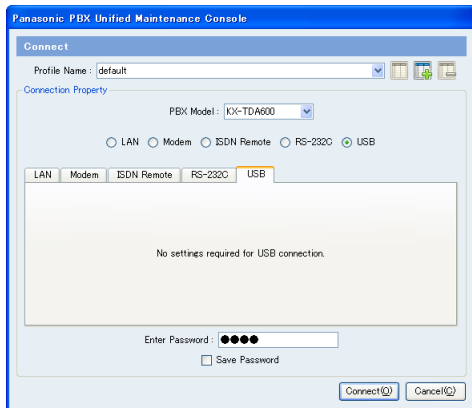
Note

There are 2 other Programmer Codes with limited authorisation: Administrator Level (default: **ADMIN**), and User Level (default: **USER**).

- b. Click **OK**.
5. Click **Connect**.



3.3 Installation of the Maintenance Console



6. a. Select **KX-TDA600** from **PBX Model**.
- b. Select the **USB** tab.
- c. Enter the system password for installer (default: **1234**).
- d. Click **Connect**.

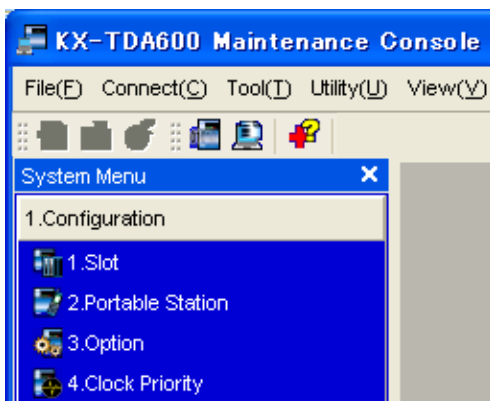
Note

To connect to the PBX via USB, the KX-TDA USB driver must be installed on the PC, as explained above in "Installing the Maintenance Console".

7. When country/area data do not match:

- a. Click **OK** to replace the country/area data of the PBX. Replacement may take several minutes to complete.
 - b. Follow the procedure described in "2.16.1 Starting the PBX" and restart the PBX.
 - c. Repeat step **4** to reconnect the Maintenance Console to the PBX.
8. Follow the instructions of the Quick Setup wizard and assign the basic items (Quick Setup).

The system menu appears. You may now begin programming the PBX.



Notice

1. During a long programming session, it is highly recommended that you periodically save the system data to the SD Memory Card. If the PBX undergoes a sudden power failure or if the system is reset for some reason, all the system data in RAM will be lost. However, if system data has been saved to the SD Memory Card, it can be easily restored.
To save the system data to the SD Memory Card, (1) click the "**SD Memory Backup**" icon before resetting the PBX or turning off the power, or (2) exit the Maintenance Console so that the PBX automatically saves the system data.
2. The PC will not perform any shutdown operation, or enter the power-saving system standby mode while the Maintenance Console is connected to the PBX. To perform either of the operations above, first close the connection to the PBX.

CAUTION

Do not remove the SD Memory Card while power is supplied to the PBX. Doing so may cause the PBX to fail to start when you try to restart the system.

3.3 Installation of the Maintenance Console

Section 4

Troubleshooting

This section provides information on the PBX and telephone troubleshooting.

4.1 Troubleshooting

4.1.1 Installation

PROBLEM	PROBABLE CAUSE	SOLUTION
Extension does not operate.	Bad extension card.	<ul style="list-style-type: none"> Exchange the card for a known working one.
	Bad connection between the PBX and telephone.	<ul style="list-style-type: none"> Take the telephone and plug it into the same extension port using a short telephone cord. If the telephone works, then the connection between the PBX and the telephone must be repaired.
	A telephone with an A-A1 relay is connected.	<ul style="list-style-type: none"> Use a 2-wire cord. Set the A-A1 relay switch of the telephone to the "OUT" or "OFF" position.
	Bad telephone.	<ul style="list-style-type: none"> Take the telephone and plug it into another extension port that is working. If the telephone does not work, replace the telephone.
	Wrong type of PSU.	<ul style="list-style-type: none"> Replace the PSU with the appropriate type.
	An unsupported extension card (SLC16 or MSLC16 card) is installed.	<ul style="list-style-type: none"> Replace the optional service card with an appropriate one (ESLC16 or EMSLC16 card).
You cannot make/receive outside calls.	An unsupported trunk card (LCOT4, LCOT8, or LCOT16 card) is installed.	<ul style="list-style-type: none"> Replace the optional service card with an appropriate one (ELCOT16 card).
The PBX does not operate properly.		<ul style="list-style-type: none"> Press the Reset Button (refer to "4.1.4 Using the Reset Button"). Turn off the power switch, and then turn it back on. Turn off the power switch, and then unplug the PBX. After 5 minutes, plug the PBX back in, and turn the power switch back on.
Noise on external paging.	Induced noise on the wire between the PBX and the amplifier.	<ul style="list-style-type: none"> Use a shielded cable as the connection wire between the PBX and amplifier. A short shielded cable is recommended.
Distorted external music.	Excessive input level from external music source.	<ul style="list-style-type: none"> Decrease the output level of the external music source by using the volume control on the music source.

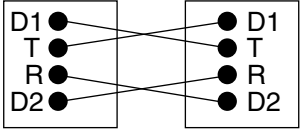
PROBLEM	PROBABLE CAUSE	SOLUTION
Alternate Calling—Ring/Voice and Live Call Screening (LCS) do not function as set when using a Wireless Phone (KX-T7880/KX-T7885/KX-TD7894/KX-TD7895).	Voice-calling mode and Hands-free mode with LCS are not available with Wireless Phones.	<ul style="list-style-type: none"> Switch the calling mode to ring-calling. Set the LCS mode to "Private".
The ALARM indicator on the front of the Basic Shelf turns on red.	A major system error occurs in the PBX.	<ul style="list-style-type: none"> See the error log using the Maintenance Console (refer to "4.1.5 Troubleshooting by Error Log").
The RUN indicator of an Expansion Shelf does not turn on.	Bus Cable is not connected properly.	<ul style="list-style-type: none"> Connect the Bus Cables properly.
	Defective Bus Cable (included with BUS-M card or BUS-ME card).	<ul style="list-style-type: none"> Replace the corresponding Bus Cable.
	Optional service card malfunction: BUS-M, BUS-ME, BUS-S	<ul style="list-style-type: none"> Replace the corresponding shelf expansion card (be sure to turn off the PBX when replacing a BUS-M card).
	Defective Expansion Shelf.	<ul style="list-style-type: none"> Replace the corresponding Expansion Shelf.
The LINK indicator of the BUS-M card of the Basic Shelf does not turn on.	Bus Cable is not connected properly.	<ul style="list-style-type: none"> Connect the Bus Cables properly.
	Defective Bus Cable (included with BUS-M card or BUS-ME card).	<ul style="list-style-type: none"> Replace the corresponding Bus Cable.
	Optional service card malfunction: BUS-M, BUS-ME, BUS-S	<ul style="list-style-type: none"> Replace the corresponding shelf expansion card (be sure to turn off the PBX when replacing a BUS-M card).
Extensions connected to an Expansion Shelf do not send a dial tone.	Bus Cable is not connected properly.	<ul style="list-style-type: none"> Connect the Bus Cables properly.
	Optional service card malfunction: BUS-S	<ul style="list-style-type: none"> Replace the corresponding shelf expansion card.
	Defective Bus Cable (included with BUS-M card or BUS-ME card).	<ul style="list-style-type: none"> Replace the corresponding Bus Cable.

4.1.2 Connection

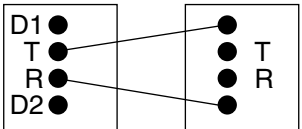
Connection between the PBX and a PT:

Can you dial an extension?

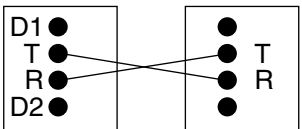
No

CAUSE	SOLUTION
<p>The T/R is connected to the D1/D2.</p>  <p>PBX Extension</p>	<p>Use the correct cord (the inner 2 wires are for T/R and the outer 2 wires are for D1/D2).</p>

Connection between the PBX and an SLT:

CAUSE	SOLUTION
<p>The T/R is connected to the D1/D2.</p>  <p>PBX Extension</p>	<p>Use the correct cord (the inner 2 wires are for T/R).</p> <ul style="list-style-type: none"> If a telephone equipped with an A-A1 relay is connected to the PBX, set the A-A1 relay switch of the telephone to "OFF".

Connection between the PBX and an SLT that is polarity-sensitive:

CAUSE	SOLUTION
<p>The "T" is connected to the "R".</p>  <p>PBX Extension</p>	<p>Reverse the connections of the T/R.</p>

Yes

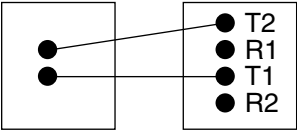
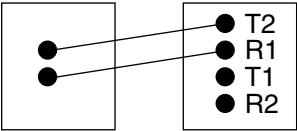
(Continued on the next page.)

Connection between the trunk and the PBX:

(Continued from the previous page.)

Can you dial out on a trunk?

No

CAUSE	SOLUTION
<p>Trunk is connected to the T2/T1.</p>  <p>Trunk PBX</p>	<p>Reconnect the trunk to the T1/R1 or T2/R2 of the telephone jack using 2-conductor wiring.</p>
<p>Trunk is connected to the T2/R1.</p>  <p>Trunk PBX</p>	

4.1.3 Operation

PROBLEM	PROBABLE CAUSE	SOLUTION
<ul style="list-style-type: none"> When using the speakerphone on an APT, nothing is audible. When using the speakerphone/monitor mode with a DPT, nothing is audible. 	<ul style="list-style-type: none"> The HANDSET/HEADSET selector is set to the "HEADSET" position. The "HEADSET" mode is selected by Personal Programming, "Handset/Headset Selection". 	<ul style="list-style-type: none"> When the headset is not used, set the HANDSET/HEADSET selector to the "HANDSET" position. When the headset is not used, select the "HANDSET" mode by Personal Programming.
<ul style="list-style-type: none"> The PT does not ring. 	<ul style="list-style-type: none"> The ringer volume is off. 	<ul style="list-style-type: none"> Turn on the ringer volume.
<ul style="list-style-type: none"> During a power failure, extensions connected to ports 1 to 4 of EMSLC16/ESLC16/ECSLC24/CSLC16 and ports 1 to 2 of DHLC8/SLC8 cards do not operate. 	<ul style="list-style-type: none"> A DPT or APT is connected to the extension port. The dialling mode (tone or pulse) is incorrect. 	<ul style="list-style-type: none"> Disconnect the DPT or APT and connect an SLT. Set the Tone/Pulse switch to the other position.
<ul style="list-style-type: none"> Originating an outside call, call transfer, or conference cannot be performed. 	<ul style="list-style-type: none"> The corresponding flexible button does not exist on the PT. 	<ul style="list-style-type: none"> Programme the flexible button. Refer to "1.20.2 Flexible Buttons" in the Feature Guide.
<ul style="list-style-type: none"> The LED of the CS does not change to Green ON. 	<ul style="list-style-type: none"> CS is not connected properly. 	<ul style="list-style-type: none"> Make sure that the cable is connected properly with correct pin assignments. Also, make sure that the cable does not make short circuits.
	<ul style="list-style-type: none"> CS is not set for normal operation. 	<ul style="list-style-type: none"> Switch all DIP switches off.
	<ul style="list-style-type: none"> The status of the port that the CS is connected to is Out of Service. 	<ul style="list-style-type: none"> Change the port status from Out of Service to In Service using the Maintenance Console.
	<p><KX-TDA0158 only></p> <ul style="list-style-type: none"> The Local Processor (LPR) software of the corresponding DHLC/DLC card is not version 5.000 or later. 	<ul style="list-style-type: none"> Upgrade the LPR software of the DHLC/DLC card.
	<p><KX-TDA0158 only></p> <ul style="list-style-type: none"> Both KX-TDA0158 and KX-TDA0155 CSs are connected to the same card, and the KX-TDA0158 CSs are connected to higher-numbered pins on the card than the KX-TDA0155 CSs. 	<ul style="list-style-type: none"> Connect the KX-TDA0158 CSs to lower-numbered pins on the card than the KX-TDA0155 CSs. Connect the KX-TDA0158 and KX-TDA0155 CSs to different cards.

PROBLEM	PROBABLE CAUSE	SOLUTION
<ul style="list-style-type: none"> The LED of the CS stays Red ON during normal operation. 	<ul style="list-style-type: none"> CS malfunction 	<ul style="list-style-type: none"> Replace the CS.
<ul style="list-style-type: none"> "CLEAR SCAN DATA" is displayed on the PS's screen after turning on the PS. 	<ul style="list-style-type: none"> The PS cannot be used for normal operation when scan data is stored on the PS. 	<ul style="list-style-type: none"> Clear the scan data (refer to "2.10.5 Site Survey Using the KX-TCA255/KX-TCA256/KX-TCA355/KX-TD7590" or "2.12.5 Site Survey").
<ul style="list-style-type: none"> Cannot register the PS. 	<ul style="list-style-type: none"> Wrong Personal Identification Number (PIN) is registered to the PS. 	<ul style="list-style-type: none"> Enter the PIN set to the PBX into the PS.
<ul style="list-style-type: none"> PS becomes out of range. Cannot make calls using the PS. 	<ul style="list-style-type: none"> CSIF card is not working. CS is not working. Location of CS is not good. Access system of the PS is not properly set. 	<ul style="list-style-type: none"> Install the CSIF card properly. Make sure that the cable is connected properly with correct pin assignments. Also, make sure that the cable does not make short circuits. Switch all DIP switches off. Locate the CS properly (refer to "2.10.5 Site Survey Using the KX-TCA255/KX-TCA256/KX-TCA355/KX-TD7590", "2.11.5 Site Survey", or "2.12.5 Site Survey"). Change the access system setting of the PS to the appropriate system or automatic.
<ul style="list-style-type: none"> Noise is frequent while using the PS. Conversations disconnect while using the PS. "NO SERVICE" is displayed on the PS's screen. 	<ul style="list-style-type: none"> Call handover is not working. PS is out of CS coverage area. 	<ul style="list-style-type: none"> Locate the CS properly (refer to "2.10.5 Site Survey Using the KX-TCA255/KX-TCA256/KX-TCA355/KX-TD7590", "2.11.5 Site Survey", or "2.12.5 Site Survey").
<ul style="list-style-type: none"> The CS is not busy (i.e., the status of the LED is not Moderate Green Flashing), but calls cannot be made or received. There is noise during a phone call. 	<ul style="list-style-type: none"> CSs are located too close together in the same area. 	<ul style="list-style-type: none"> Reduce the number of CSs in the area, or increase the distance between CSs (refer to "2.10.5 Site Survey Using the KX-TCA255/KX-TCA256/KX-TCA355/KX-TD7590", "2.11.5 Site Survey", or "2.12.5 Site Survey").
<ul style="list-style-type: none"> PS stays out of service when the CS status is changed from Out of Service to In Service. 	<ul style="list-style-type: none"> It may take about 20 s for CS to start up after the status has been changed to In Service. 	<ul style="list-style-type: none"> Wait until the CS starts up.
<ul style="list-style-type: none"> The maximum number of PS calls that a high-density CS supports cannot be made. 	<ul style="list-style-type: none"> Poor connection 	<ul style="list-style-type: none"> Make sure that a 4-pair cable is used for connection.

4.1.4 Using the Reset Button

If the PBX does not operate properly, use the Reset Button. Before using the Reset Button, try the system feature again to confirm whether there definitely is a problem or not.

CAUTION

In order to avoid possible corruption of data on the SD Memory Card, please ensure that the "SD ACCESS" LED is off before pressing the Reset Button.

Notes

- When the System Initialise Switch is set to "NORMAL", pressing the Reset Button causes the following:
 - Camp-on is cleared.
 - Calls on hold are terminated.
 - Calls on exclusive hold are terminated.
 - Calls in progress are terminated.
 - Call park is cleared.

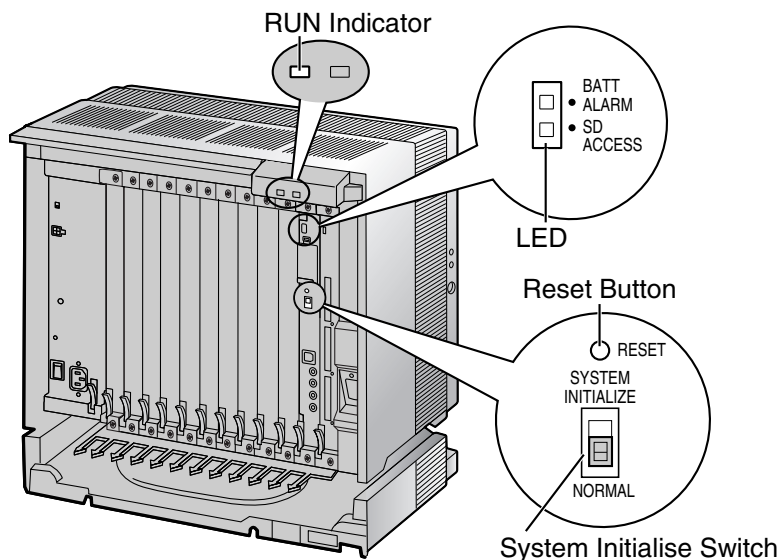
Other data stored in memory, except the above, are not cleared.

- Be aware that pressing the Reset Button with the System Initialise Switch in the "SYSTEM INITIALIZE" position clears all data stored in the PBX. Do not perform this operation unless you intend to delete all data from the PBX.

Operation

If the PBX does not operate properly:

1. Set the System Initialise Switch to the "NORMAL" position.
2. Press the Reset Button for about 1 second.



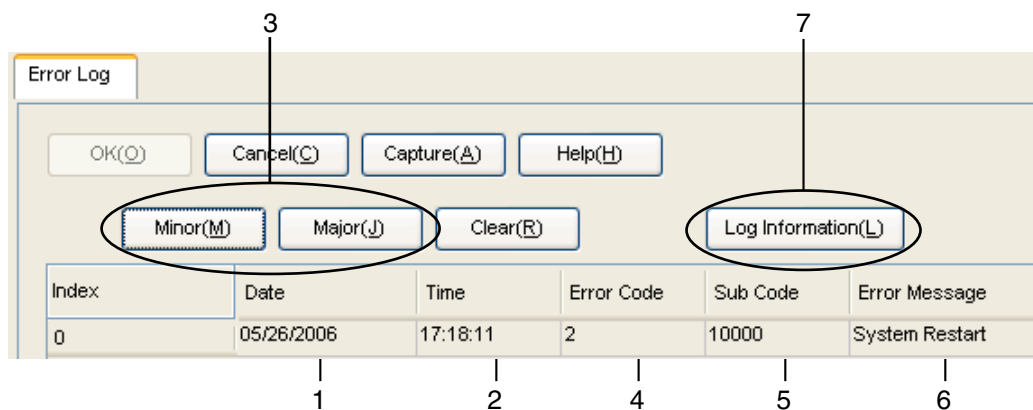
4.1.5 Troubleshooting by Error Log

When a major system error occurs in the PBX, the ALARM indicator on the front of the Basic Shelf turns on red, and the system logs the error information.

Error Log Display Format

Below is the display format of the error log. For information about how to view the error log using the Maintenance Console, refer to "2.6.8 Utility—Error Log" in the PC Programming Manual.

Example: Maintenance Console



Example: Station Message Detail Recording (SMDR)

04/01/01	10:37AM	MJ	ALM #000	10000	MPR WDT overflow
04/01/01	11:07AM	MN	ALM #010	10000	AC power down
04/01/01	03:55PM	MN	ALM #301	10501	Digital trunk RAI reception

Description

	Item		Description
1	Date		The date of the error detection.
2	Time		The time of the error detection.
3	Level	Minor (MN ALM)	Displays minor errors, which affect only a certain part of system operation.
		Major (MJ ALM)	Displays major errors, which affect operation of the whole system, or result in system failure.
4	Error Code		The 3-digit error code assigned by the PBX.

4.1 Troubleshooting

	Item	Description
5	Sub Code	<p>The 5-digit sub code of the relevant hardware (XYYZZ).</p> <ul style="list-style-type: none"> • X: Shelf number <ul style="list-style-type: none"> – 1: Basic Shelf – 2: Expansion Shelf 1 – 3: Expansion Shelf 2 – 4: Expansion Shelf 3 • YY: Slot number <ul style="list-style-type: none"> – Basic Shelf: 00 to 10 (00: EMPR Card Slot; 01 to 10: Free Slots) – Expansion Shelf: 01 to 12 (01 to 11: Free Slots; 12: BUS-S Card Slot) • ZZ: Physical port number <ul style="list-style-type: none"> – For optional service cards except OPB3 card: Physical port number (01 to 16) will be displayed. – For OPB3 card: Sub slot number (1 to 3) + port number (1 to 4) will be displayed as follows. <ul style="list-style-type: none"> • Sub slot 1 of OPB3: 11 to 14 • Sub slot 2 of OPB3: 21 to 24 • Sub slot 3 of OPB3: 31 to 34 <p>Note</p> <p>When there is no parameter for slot and physical port number (neither for Basic Shelf nor Expansion Shelf), YY and ZZ will be displayed as "00". Example: Sub code for EMPR card = 10000</p>
6	Error Message	A description of the error.
7	Log Information	Displays probable causes of the errors and their solutions.

Section 5

Appendix

5.1 Revision History

5.1.1 PLMPR Software File Version 3.1xxx

Changed Options

- System Components Table
 - KX-TDA6920 SD Memory Card for Software Upgrade to Enhanced Version

Changed Contents

- 1.4.3 System Capacity
- 4.1.5 Troubleshooting by Error Log

5.1.2 PLMPR Software File Version 5.0xxx

New Options

- System Components Table
 - KX-TDA0177 16-Port Single Line Telephone Extension Card with Caller ID (CSLC16)
 - KX-TDA6178 24-Port Single Line Telephone Extension Card with Caller ID (ECSLC24)
 - KX-TDA0192 2-Channel Simplified Voice Message Card (ESVM2)
 - KX-TDA0194 4-Channel Simplified Voice Message Card (ESVM4)
 - KX-TDA0151 2-Channel Cell Station Unit Using a DHLC/DLC Card (PT-interface CS) for 2.4 GHz Portable Station
 - KX-TDA0152 3-Channel Cell Station Unit Using a CSIF Card for 2.4 GHz Portable Station
 - KX-TDA0155 DECT 6.0 2-Channel Cell Station Unit Using a DHLC/DLC Card (PT-interface CS) for DECT 6.0 Portable Station
 - KX-TDA0158CE 8-Channel High-density Cell Station Unit Using a DHLC/DLC Card (PT-interface CS) for DECT Portable Station
 - KX-TDA0158 DECT 6.0 8-Channel Cell Station Unit Using a DHLC/DLC Card (PT-interface CS) for DECT 6.0 Portable Station
 - KX-T7765 Doorphone

New Contents

- 2.12 Connection of DECT 6.0 Portable Stations

Changed Contents

- 1.4.3 System Capacity
- 2.13 Connection of Doorphones, Door Openers, External Sensors, and External Relays
- 3.3.1 Installing and Starting the Maintenance Console

5.1 Revision History

Index

Numerics

- 16-Channel Echo Cancellor Card (KX-TDA6166) 32, 191
- 16-Channel VoIP Extension Card (KX-TDA0470) 31, 177
- 16-Channel VoIP Gateway Card (KX-TDA0490) 31, 160
- 16-Port Analogue Trunk Card (KX-TDA6181) 32, 132
- 16-Port Digital Extension Card (KX-TDA0172) 30, 169
- 16-Port Single Line Telephone Extension Card (KX-TDA6174) 32, 174
- 16-Port Single Line Telephone Extension Card with Caller ID (KX-TDA0177) 30, 174
- 16-Port Single Line Telephone Extension with Message Lamp Card (KX-TDA6175) 32, 174
- 2.4 GHz Portable Station, After Site Survey 250
- 2.4 GHz Portable Station, Before Site Survey 243
- 2.4 GHz Portable Station, Connecting a CS 251
- 2.4 GHz Portable Station, Connection 236
- 2.4 GHz Portable Station, Procedure Overview 237
- 2.4 GHz Portable Station, Site Planning 239
- 2.4 GHz Portable Station, Site Survey 246
- 24-Port Single Line Telephone Extension Card with Caller ID (KX-TDA6178) 32, 174
- 2-Channel Simplified Voice Message Card (KX-TDA0192) 31, 190
- 2-Port Doorphone Card (German Type) (KX-TDA0162) 30, 183
- 2-shelf System 24
- 2-shelf System, Construction (Floor Standing) 52
- 2-shelf System, Installation (Floor Standing) 52
- 2-shelf System, System Capacity 36
- 3-shelf System (Tower Type) 25
- 3-shelf System (Tower Type), Construction 60
- 3-shelf System (Tower Type), Installation 60
- 3-shelf System, System Capacity 36
- 4 Cell Station Interface Card (KX-TDA0143) 30, 162
- 4-Channel Message Card (KX-TDA0191) 31, 189
- 4-Channel Simplified Voice Message Card (KX-TDA0194) 31, 190
- 4-Channel VoIP Gateway Card (KX-TDA0484) 31, 158
- 4-Port BRI Card (KX-TDA0284) 31, 147
- 4-Port Doorphone Card (KX-TDA0161) 30, 181
- 4-Port External Input/Output Card (KX-TDA0164) 30, 186
- 4-shelf System (Side-by-side Type) 27
- 4-shelf System (Side-by-side Type), Construction 82
- 4-shelf System (Side-by-side Type), Installation 82
- 4-shelf System (Tower Type) 26
- 4-shelf System (Tower Type), Construction 60
- 4-shelf System (Tower Type), Installation 60
- 4-shelf System, System Capacity 36
- 8 Cell Station Interface Card (KX-TDA0144) 30, 162
- 8-Port BRI Card (KX-TDA0288) 31, 147
- 8-Port Caller ID Card (KX-TDA0193) 31, 137
- 8-Port Caller ID/Pay Tone Card (KX-TDA0189) 31, 136
- 8-Port DID Card (KX-TDA0182) 30, 134
- 8-Port Digital Extension Card (KX-TDA0171) 30, 167
- 8-Port Digital Hybrid Extension Card (KX-TDA0170) 30, 164
- 8-Port E & M Trunk Card (KX-TDA0184) 30, 138
- 8-Port Single Line Telephone Extension Card (KX-TDA0173) 30, 171

A

- About the software version of your PBX 13
- Amphenol Connector 120, 121
- Appendix 327

B

- Backup Battery Connection 106
- Backup Power Supply Duration 106
- Basic Shelf 22
- Basic Shelf, Construction 22
- Basic Shelf, Installation (Wall Mounting) 98
- Basic Shelf, LED Indications 304
- Basic Shelf, Names and Locations 48
- Basic Shelf, Supplied Items 46
- Basic System 22
- Basic System, Construction (Floor Standing) 52
- Basic System, Installation (Floor Standing) 52
- Basic System, System Capacity 36
- BGM 295
- Blank Slot Cover 111
- BRI4 Card (KX-TDA0284) 147
- BRI8 Card (KX-TDA0288) 147
- Bus Cable 58, 80, 96, 129, 130
- Bus Cable Connector 129, 131
- Bus Master Card (KX-TDA6110) 32, 129
- Bus Master Expansion Card (KX-TDA6111) 32, 130
- Bus Slave Card (BUS-S Card) 131
- BUS-M Card (KX-TDA6110) 57, 78, 94, 129
- BUS-ME Card (KX-TDA6111) 78, 94, 130
- BUS-S Card 57, 78, 94, 131

C

- Cable Distance 194
- Cable Handling for Connected Shelves 114
- Cable Handling for Each Shelf 113
- Changed Contents 328, 329
- Changed Options 328
- Characteristics 35
- CID/PAY8 Card (KX-TDA0189) 136
- CID8 Card (KX-TDA0193) 137
- Components, System 2
- Connecting Backup Batteries 107
- Connecting Each Shelf to Its Own Set of Backup Batteries 108
- Connecting Multiple Shelves to One Set of Backup Batteries 107
- Connecting Shelves, 2-shelf System 57
- Connecting Shelves, 3-shelf System 78
- Connecting Shelves, 4-shelf System 78, 94
- Connection Diagram, System 28
- Connector Types 115
- Cover for Blank Slot 111
- CS (for 2.4 GHz Portable Station) 251
- CS (for DECT 6.0 Portable Station) 282
- CS (for DECT Portable Station) 222
- CS, Basic 4
- CS, High-density 4
- CSIF4 Card (KX-TDA0143) 162
- CSIF8 Card (KX-TDA0144) 162
- CSLC16 Card (KX-TDA0177) 174
- CTI Link Card (KX-TDA0410) 31, 192
- CTI Server Connection (via USB version 2.0) 298
- CTI-LINK Card (KX-TDA0410) 192
- CTI—First Party Call Control 203
- CTI—Third Party Call Control 192, 298

D

DECT 6.0 Portable Station, After Site Survey 281
 DECT 6.0 Portable Station, Before Site Survey 272
 DECT 6.0 Portable Station, Connecting a CS 282
 DECT 6.0 Portable Station, Connection 264
 DECT 6.0 Portable Station, Procedure Overview 266
 DECT 6.0 Portable Station, Site Planning 268
 DECT 6.0 Portable Station, Site Survey 277
 DECT Portable Station, After Site Survey 221
 DECT Portable Station, Before Site Survey 212
 DECT Portable Station, Connecting a CS 222
 DECT Portable Station, Connection 204
 DECT Portable Station, Procedure Overview 206
 DECT Portable Station, RF Specification 204
 DECT Portable Station, Site Planning 208
 DECT Portable Station, Site Survey 217
 DHLC8 Card (KX-TDA0170) 164
 DID8 Card (KX-TDA0182) 134
 Digital EXtra Device Port (Digital XDP) Connection 198
 Digital XDP 198
 Digital XDP Connection, Using a Modular T-Adaptor 198, 200
 Digital XDP Connection, Using an EXtra Device Port 199, 201
 DLC16 Card (KX-TDA0172) 169
 DLC8 Card (KX-TDA0171) 167
 Door Opener 181, 183, 292
 Doorphone 181, 183, 292
 DPH2 Card (KX-TDA0162) 183
 DPH4 Card (KX-TDA0161) 181

E

E&M8 Card (KX-TDA0184) 138
 E1 Card (KX-TDA0188) 144
 E-1 Trunk Card (KX-TDA0188) 30, 144
 ECSLC24 Card (KX-TDA6178) 174
 EECHO16 Card (KX-TDA6166) 191
 EIO4 Card (KX-TDA0164) 186
 ELCOT16 Card (KX-TDA6181) 132
 EMEC Card (KX-TDA6105) 127
 EMPR Card 125
 EMSLC16 Card (KX-TDA6175) 174
 Error Log 325
 ESLC16 Card (KX-TDA6174) 174
 ESVM2 Card (KX-TDA0192) 190
 ESVM4 Card (KX-TDA0194) 190
 Examples 106
 Expanded System 23
 Expansion Shelf 23
 Expansion Shelf, Construction 23
 Expansion Shelf, Installation (Wall Mounting) 98
 Expansion Shelf, LED Indications 305
 Expansion Shelf, Names and Locations 48
 Expansion Shelf, Supplied Items 46
 EXT-CID Card (KX-TDA0168) 173
 Extension Caller ID Card (KX-TDA0168) 30, 173
 Extension, Maximum Number 36
 External Relay 186, 188, 292
 External Sensor 186, 188, 292
 EXtra Device Port (XDP) Mode 196, 198

F

Fan Guard 51
 Ferrite Core 117
 First Party Call Control CTI Connection 203
 Frame Earth Connection 105
 Front Cover, Closing 50
 Front Cover, Opening 49

I

Installation Precautions 44
 IP-EXT16 Card (KX-TDA0470) 177
 IP-GW16 Card (KX-TDA0490) 160
 IP-GW4E Card (KX-TDA0484) 158

K

KX-TDA0103 (L-Type Power Supply Unit) 30, 101
 KX-TDA0104 (M-Type Power Supply Unit) 30, 101
 KX-TDA0143 (4 Cell Station Interface Card) 30, 162
 KX-TDA0144 (8 Cell Station Interface Card) 30, 162
 KX-TDA0161 (4-Port Doorphone Card) 30, 181
 KX-TDA0162 (2-Port Doorphone Card [German Type]) 30, 183
 KX-TDA0164 (4-Port External Input/Output Card) 30, 186
 KX-TDA0168 (Extension Caller ID Card) 30, 173
 KX-TDA0170 (8-Port Digital Hybrid Extension Card) 30, 164
 KX-TDA0171 (8-Port Digital Extension Card) 30, 167
 KX-TDA0172 (16-Port Digital Extension Card) 30, 169
 KX-TDA0173 (8-Port Single Line Telephone Extension Card) 30, 171
 KX-TDA0177 (16-Port Single Line Telephone Extension Card with Caller ID) 30, 174
 KX-TDA0182 (8-Port DID Card) 30, 134
 KX-TDA0184 (8-Port E & M Trunk Card) 30, 138
 KX-TDA0187 (T-1 Trunk Card) 30, 141
 KX-TDA0188 (E-1 Trunk Card) 30, 144
 KX-TDA0189 (8-Port Caller ID/Pay Tone Card) 31, 136
 KX-TDA0190 (Optional 3-Slot Base Card) 31, 179
 KX-TDA0191 (4-Channel Message Card) 31, 189
 KX-TDA0192 (2-Channel Simplified Voice Message Card) 31, 190
 KX-TDA0193 (8-Port Caller ID Card) 31, 137
 KX-TDA0194 (4-Channel Simplified Voice Message Card) 31, 190
 KX-TDA0196 (Remote Card) 31, 128
 KX-TDA0284 (4-Port BRI Card) 31, 147
 KX-TDA0288 (8-Port BRI Card) 31, 147
 KX-TDA0290 (PRI Card [PRI23]) 31, 155
 KX-TDA0290CE/CJ (PRI Card [PRI30]) 31, 151
 KX-TDA0410 (CTI Link Card) 31, 192
 KX-TDA0470 (16-Channel VoIP Extension Card) 31, 177
 KX-TDA0484 (4-Channel VoIP Gateway Card) 31, 158
 KX-TDA0490 (16-Channel VoIP Gateway Card) 31, 160
 KX-TDA6105 (Memory Expansion Card) 32, 127
 KX-TDA6110 (Bus Master Card) 32, 129
 KX-TDA6111 (Bus Master Expansion Card) 32, 130
 KX-TDA6166 (16-Channel Echo Canceller Card) 32, 191
 KX-TDA6174 (16-Port Single Line Telephone Extension Card) 32, 174
 KX-TDA6175 (16-Port Single Line Telephone Extension with Message Lamp Card) 32, 174
 KX-TDA6178 (24-Port Single Line Telephone Extension Card with Caller ID) 32, 174
 KX-TDA6181 (16-Port Analogue Trunk Card) 32, 132
 KX-TDA6201 (Mounting Kit) 25, 26, 27, 32

Index

KX-TDA6920 (SD Memory Card for Software Upgrade to Enhanced Version) 32, 125

L

LED Indications, Basic Shelf 304
LED Indications, Expansion Shelf 305
Load Figure Calculation 40
L-Type Power Supply Unit (KX-TDA0103) 30, 101

M

Main Processing Card (EMPR Card) 125
Maintenance Console 308
Maintenance Console, Installation 312
Maintenance Console, Overview 308
Maintenance Console, Password Security 312
Maintenance Console, PC Connection 309
Maintenance Console, Quick Setup 313
Maintenance Console, System Requirements 312
Master DPT, Digital XDP 198
Maximum Optional Service Cards 36
Maximum Terminal Equipment 39
Maximum Trunk and Extension 36
Memory Expansion Card (KX-TDA6105) 32, 127
MOH 295
Mounting Kit (KX-TDA6201) 25, 26, 27, 32
Mounting Kit, Supplied Items 47
MSG4 Card (KX-TDA0191) 189
M-Type Power Supply Unit (KX-TDA0104) 30, 101

N

Names and Locations 48
New Contents 329
New Options 329
Noise Shield Connector 129, 131
Noise Shield Wire 59, 81, 97
Number of Free Slots 36

O

OPB3 Card (KX-TDA0190) 179
Optional 3-Slot Base Card (KX-TDA0190) 31, 179
Optional Equipment 30
Optional Equipment, Unsupported 5
Optional Service Card, Installation 109
Optional Service Card, Maximum Number 36
Optional Service Card, Removal 112

P

Pager 296
Panasonic Proprietary Telephones, Compatible 5
Panasonic Proprietary Telephones, Incompatible 5
Parallel Connection of the Extensions 196
Parallel Connection, Using a Modular T-Adaptor 196
Parallel Connection, Using an EXtra Device Port 197
Parallel Mode 196, 198
Password Security 312
PC Connection (via RS-232C) 296
PC Connection (via USB version 2.0) 298
PLMPR Software File Version 3.1xxx 328

PLMPR Software File Version 5.0xxx 329
Power Failure Connections 299
Power Supply Unit 101
Power Supply Unit Selection for Each Shelf 40
Power Supply Unit, Installation 102
Power Supply Unit, Replacement 103
PRI Card (PRI23) (KX-TDA0290) 31, 155
PRI Card (PRI30) (KX-TDA0290CE/CJ) 31, 151
PRI23 Card (KX-TDA0290) 155
PRI30 Card (KX-TDA0290CE/CJ) 151
Printer Connection (via RS-232C) 296
PSU 101
PSU Capacity 40
PSU-L 40, 101
PSU-M 40, 101

Q

Quick Setup 313

R

Remote Card (KX-TDA0196) 31, 128
Reset Button 324
Revision History 328
RF Specification, DECT 6.0 Portable Station 265
RF Specification, DECT Portable Station 204
RMT Card (KX-TDA0196) 128
RUN Indicator 303

S

Safety Installation Instructions 44
Safety Instructions 101
SD Memory Card 125
SD Memory Card for Software Upgrade to Enhanced Version (KX-TDA6920) 32, 125
Site Planning, 2.4 GHz Portable Station 239
Site Planning, DECT 6.0 Portable Station 268
Site Planning, DECT Portable Station 208
Site Survey, 2.4 GHz Portable Station 246
Site Survey, DECT 6.0 Portable Station 277
Site Survey, DECT Portable Station 217
Slave DPT, Digital XDP 198
SLC8 Card (KX-TDA0173) 171
Specifications 33
Specifications, Characteristics 35
Specifications, General Description 33
Specifications, System Capacity 36
Starting the PBX 303
Supplied Items for an Expansion Shelf (KX-TDA620) 46
Supplied Items for the Basic Shelf (KX-TDA600) 46
Supplied Items for the Mounting Kit (KX-TDA6201) 47
Surge Protector Installation 122
System Capacity 36
System Components Table 2
System Connection Diagram 28
System Highlights 20
System Initialisation Procedure 303
System Initialise Switch 303, 324
System Requirements 312

T

T1 Card (KX-TDA0187)	141
T-1 Trunk Card (KX-TDA0187)	30, 141
Terminal Equipment, Maximum Number	39
Troubleshooting, by Error Log	325
Troubleshooting, Connection	320
Troubleshooting, Installation	318
Troubleshooting, Operation	322
Troubleshooting, Using the Reset Button	324
Trunk Connection	305
Trunk, Maximum Number	36

U

Unpacking	46
-----------	----

W

Wall Mounting (CS)	232, 259
Wall Mounting (KX-TDA600/KX-TDA620)	98
Wiring Precautions	44



The KX-TDA600E, the KX-TDA600NE, the KX-TDA600GR, and the KX-TDA600CE are designed to interwork with the:

- Analogue Public Switched Telephone Network (PSTN) of European countries
- Pan-European Integrated Services Digital Network (ISDN) using ISDN basic rate access
- Pan-European Integrated Services Digital Network (ISDN) using ISDN primary rate access
- ONP 2048 kbit/s digital structured leased lines (D2048S)

Panasonic Communications Co., Ltd./Panasonic Communications Company (U.K.) Ltd. declares that this equipment is in compliance with the essential requirements and other relevant provisions of Radio & Telecommunications Terminal Equipment (R&TTE) Directive 1999/5/EC.

Declarations of Conformity for the relevant Panasonic products described in this manual are available for download by visiting:

<http://www.doc.panasonic.de>

Contact to Authorised Representative:
Panasonic Testing Centre
Panasonic Marketing Europe GmbH
Winsbergring 15, 22525 Hamburg, Germany

For Future Reference

Please print, record, and retain the following information for future reference.

Note

The serial number of this product can be found on the label affixed to the unit. You should record the model number and the serial number of this unit as a permanent record of your purchase to aid in identification in the event of theft.

MODEL NO.	_____
SERIAL NO.	_____
DATE OF PURCHASE	_____
NAME OF DEALER	_____
DEALER'S ADDRESS	_____ _____ _____ _____
DEALER'S TEL. NO.	_____

Panasonic Communications Co., Ltd.

1-62, 4-chome, Minoshima, Hakata-ku, Fukuoka 812-8531, Japan



Copyright:

This material is copyrighted by Panasonic Communications Co., Ltd., and may be reproduced for internal use only. All other reproduction, in whole or in part, is prohibited without the written consent of Panasonic Communications Co., Ltd.

© 2005 Panasonic Communications Co., Ltd. All Rights Reserved.